



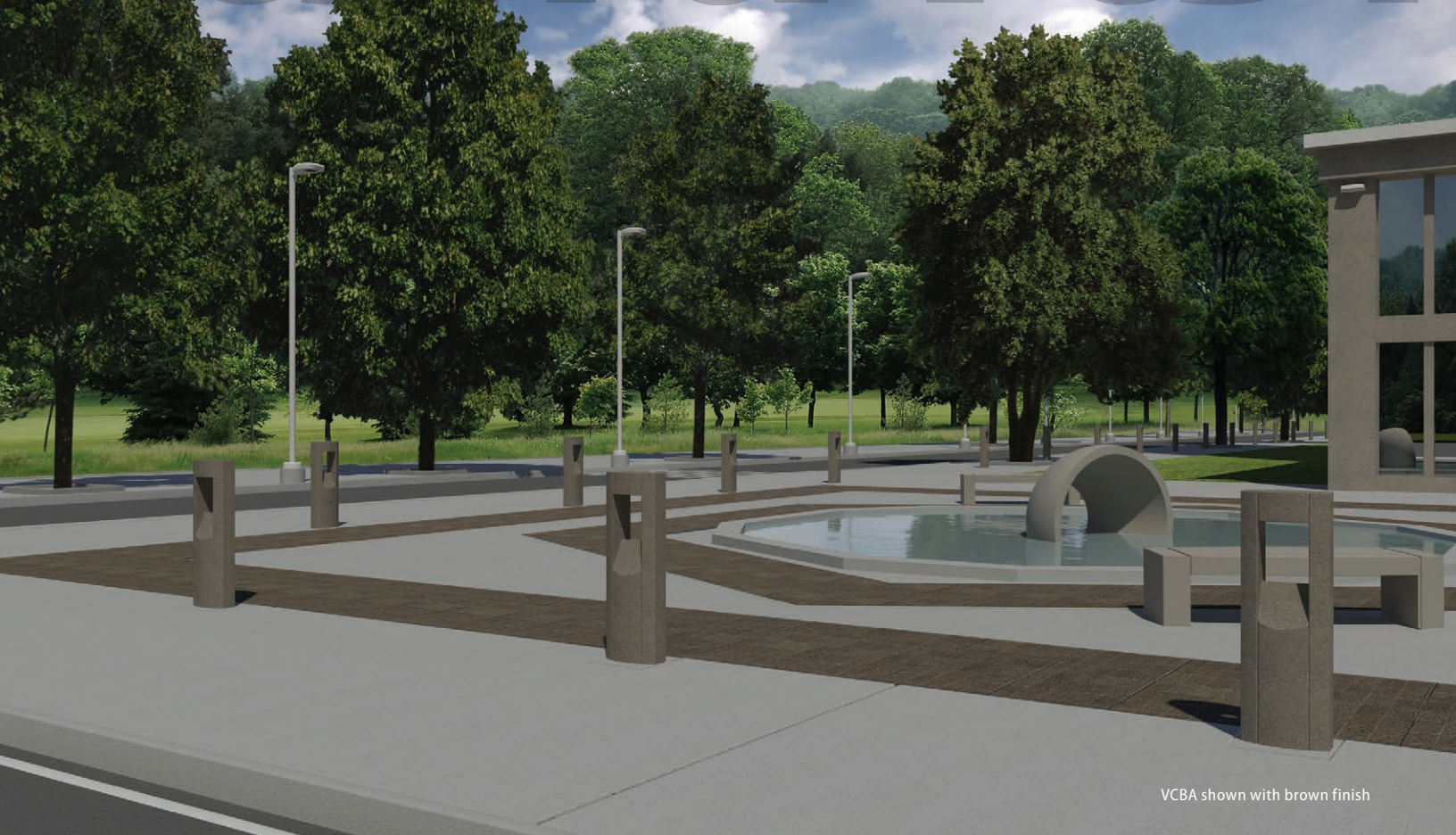
VOLTAIRE[®]

Williams Outdoor LED



VCB Series Architectural Concrete Bollard

VCBA & VCBT FEATURES



VCBA shown with brown finish

The VCB Series concrete bollards are uniquely designed with a sleek, clean appearance to complement architectural details with two distinct styles – archilinear and triarc.

Gently contoured, yet bold in its presence, the bollard's free-form styling blends harmoniously in a multitude of applications.

Providing accent and security lighting for walkways, courtyards, and entrances, the VCB Series is brilliantly viewed from any angle.

Voltaire concrete bollards are conceptualized, designed and manufactured in the USA with Williams unwavering commitment to quality.

Concrete Finish Options

Light sandblast finish is available in four colors. Optional glaze sealant provides increased protection and richer color.



Archilinear



Triarc

DESIGN

- Complements gardens, pathways, and pedestrian-area applications
- Provides security and accent lighting
- Aesthetically designed to blend seamlessly with a variety of architectural styles

OPTICAL

- Fixture design aids in light distribution
- Asymmetrical (VCBT) or symmetrical (VCBA) illumination
- Soft diffuse glass lens

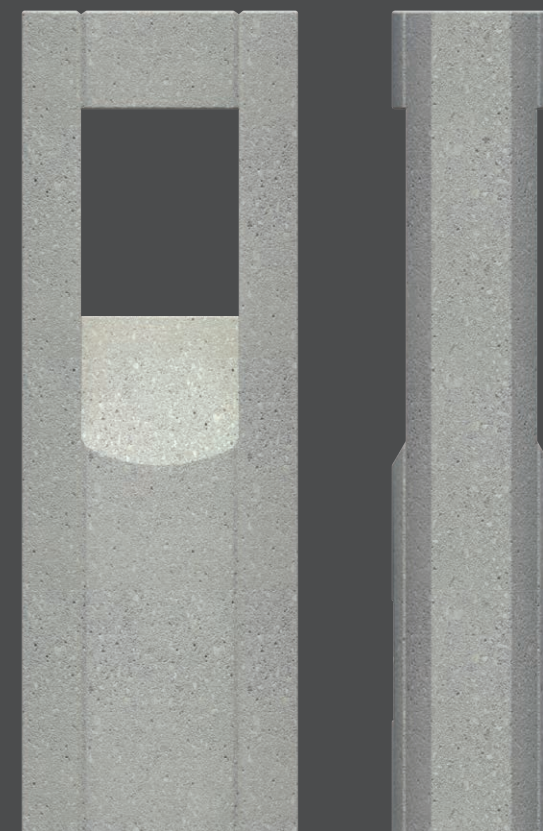
CONSTRUCTION

- Engineered with the highest quality materials to ensure reliability and performance
- High-grade cast aluminum LED housing with superior corrosion resistance
- Integral heatsink provides optimal passive thermal management

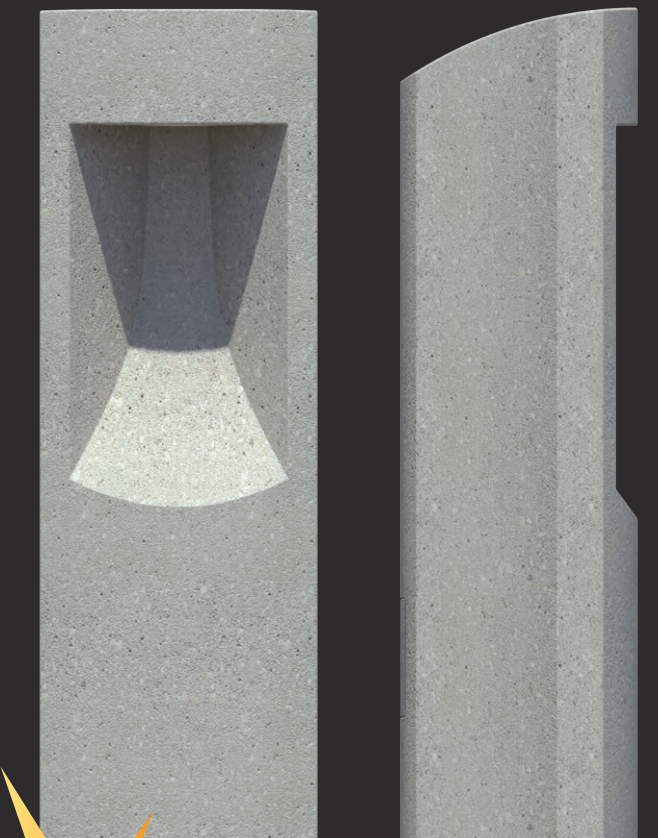
PERFORMANCE

- Energy savings of up to 50% compared to HID systems
- Lumen maintenance (L70) of 54,000 hours
- 600-900 lumens
- Direct line driven LED module
- IP66 rated

VCBA Series



VCBT Series



Specifications

Housing – Steel reinforced precast concrete with a light sandblast finish.

Thermal Management – Integral aluminum heatsink and LED source provide passive thermal management. Rated -30°C to 40°C ambient operating temperature.

LED Housing – High-grade cast aluminum with superior corrosion resistance. Silver polyester powder coat finish bonded to phosphate-free, multi-stage pretreated metal, meets and exceeds AAMA 2604 specifications for outdoor durability.

LED Module – High quality mid-power LED board. L70 at 50,000 hours minimum.

Electrical – 10kA/10kV surge protection standard.

Mounting – Minimum 4" recessed in ground with four-point hot dip galvanized 1/4" A36 steel baseplate. For accurate installation a fullscale mounting template is provided with each bollard and anchor bolt order. Fixture weight: VCBA 220 lbs., VCBT 328 lbs.

Handhole Cover – Grounded stainless steel plate with precast concrete secured with vandal resistant torx fastener.

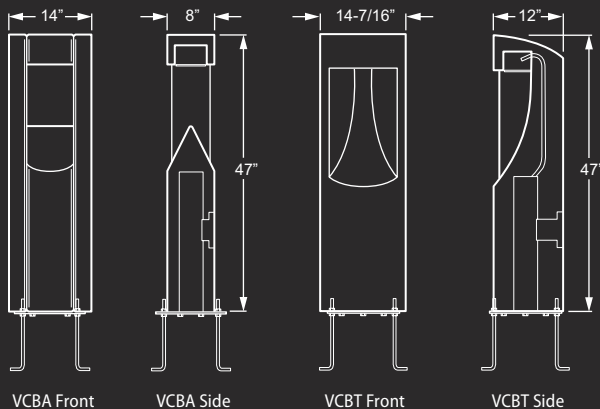
Labels – cCSAus certified as luminaire suitable for wet locations.

Certifications & Qualifications –

- Calculated L70 lumen maintenance will exceed 50,000 hours per IES TM-21
- Tested to IES LM-79-08 standards
- RoHS compliant
- IP66 rated

Warranty – 5-year limited

Dimensional Details



Ordering Information

EXAMPLE

VCBA	-	L9/830	-	NC	-	AB	-	OPTIONS	-	120
SERIES		LUMEN PACKAGE	CRI & CCT	CONCRETE FINISH	ANCHOR BOLTS	OPTIONS	VOLTAGE			

SERIES

VCBA Voltaire Concrete Bollard – Archilinear
VCBT Voltaire Concrete Bollard – Triarc

LED PACKAGE

Nominal lumens based on 120V input. See spec sheet for fixture performance data.

SERIES	EXAMPLE: L6/830			AVERAGE WATTAGE
	LUMEN PACKAGE	NOMINAL LUMENS	MINIMUM CRI & CCT	
VCBA	L9	900	830 = 80 CRI, 3000K 840 = 80 CRI, 4000K 850 = 80 CRI, 5000K	17
VCBT	L6	600		17

CONCRETE FINISH

SANDBLAST FINISH

- NC** Natural
- BF** Buff
- BN** Brown
- CP** Copper

GLAZED SANDBLAST FINISH

- NCG** Natural with glazed protective sealant
- BFG** Buff with glazed protective sealant
- BNG** Brown with glazed protective sealant
- CPG** Copper with glazed protective sealant

ANCHOR BOLTS

- AB** Anchor bolts (4 each, shipped with fixture)
- LAB** Less anchor bolts
- PAB** Pre-shipped anchor bolts (4 each)

OPTIONS

- SFW** Single fuse, wet location (120V, 277V, or 347V only; must specify voltage)
- DFW** Double fuse, wet location (208V, 240V, or 480V only; must specify voltage)

VOLTAGE

- 120** 120V
- 208** 208V
- 240** 240V
- 277** 277V (integral stepdown transformer)
- 347** 347V (integral stepdown transformer)
- 480** 480V (integral stepdown transformer)