

SIA1 Series

Default Color Detail

Color specified for this series will default to parts painted as indicated in drawings at right.

STANDARD COLOR OPTIONS

For optimum results, the finish will default to textured matte polyester powder coat.

The standard colors listed below are available on this fixture without incurring a custom color fee (swatches available on request):



The colors shown will vary from actual material.

CUSTOM COLOR OPTION

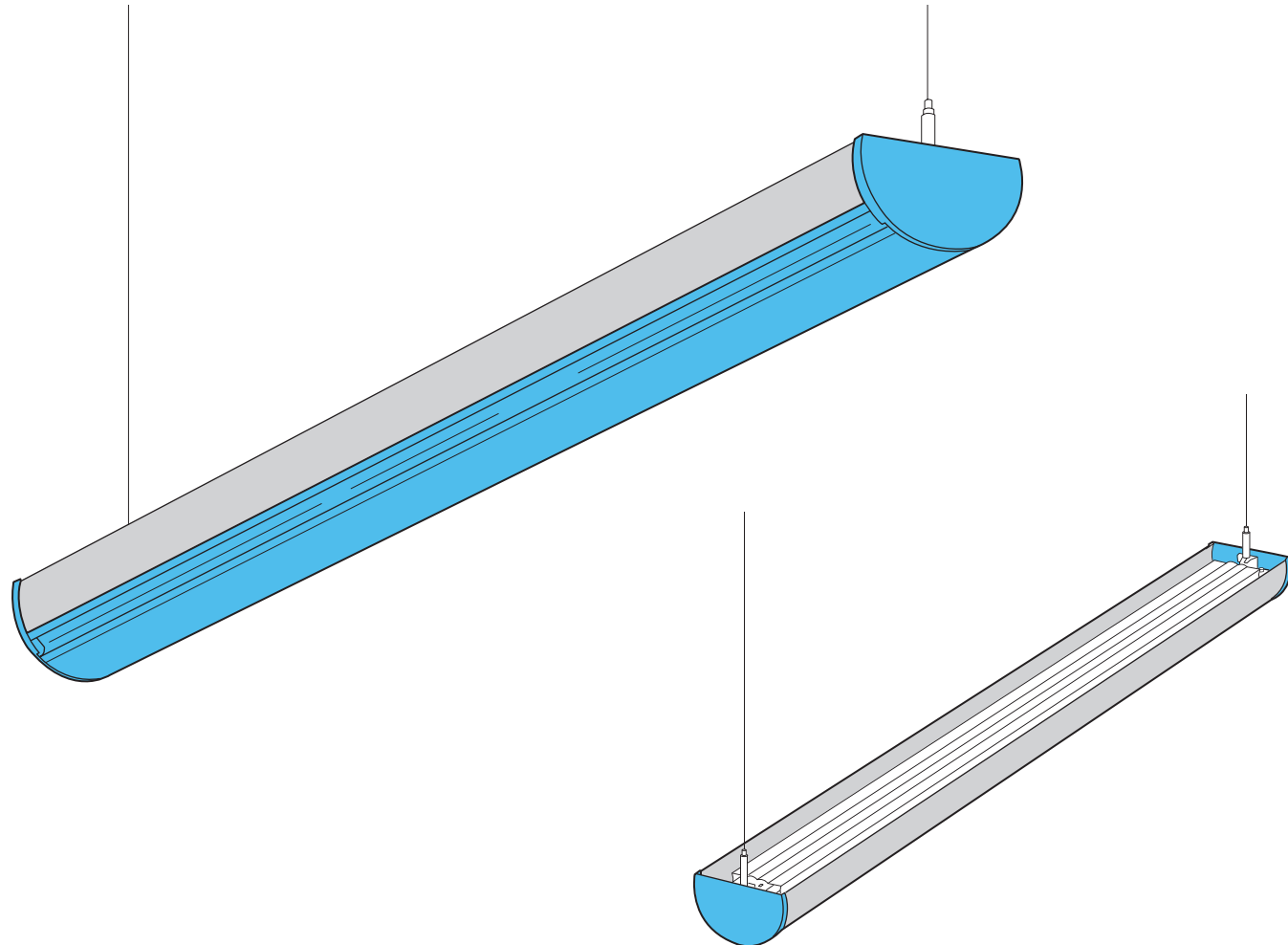
For custom color (adder applies), please specify RAL code or a manufacturer code with description (see examples below).

All custom colors other than RAL require two sample swatches, minimum 1" square.

EXAMPLES:

- RAL color: **RAL #4009 Pastellviolett**
- Sherwin-Williams color (requires two 1" sq. swatches): **#SW6795, Major Blue**

 = Default Color Locations



SIA1 SERIES COLOR DETAIL		
	H.E. Williams, Inc. www.hewilliams.com 1-866-358-4065 CC0047.042414J	 FLUORESCENT LIGHTING