

VF STRAIGHT ARM TENON MOUNT

INSTALLATION INSTRUCTIONS



WARNING:

- This product must be installed in accordance with the applicable installation code by a person familiar with the construction and operation of the product and the hazards involved.
- Make sure all electrical power is turned off while installing the fixture.
- This luminaire must be adequately grounded for protection against shock hazards and to assure proper operation.
- Disconnect power before servicing.
- LEDs are ESD (Electro Static Discharge) sensitive devices that can be easily damaged if the proper ESD mitigating steps are not taken.
- LEDs are very sensitive to mechanical damage. Caution must be taken to avoid damage to the LEDs.
- ESD or mechanical damage voids all warranties.

TOOLS/FASTENERS REQUIRED:

- Torque Wrench with range of 15-125 lb-in.
- Phillips Screwdriver
- 1/8" Hex Key
- 5/32" Hex Key

FOR USE WITH:

- VF1-TMVT
- VF1-TMHT
- VF2-TMVT
- VF2-TMHT

TENON MOUNT INSTALLATION

FOR HORIZONTAL OR VERTICAL MOUNTING ONLY.

STEP 1: Remove slip fitter top cap by loosening (do not remove) (4) 1/4-20 set screws.

STEP 2: Feed incoming power supply wires through the slip fitter and place slip fitter/arm mounts over any 2" (2-3/8 O.D.) tenon.

NOTE: Optional slip fitters provided to fit over a 2-7/8" O.D. or 3" O.D. pole tops.

STEP 3: Level top of slip fitter/arm mounts and tighten the (4) 3/8-16 set screws. Torque to 115-125 lb.-in.

NOTE: To prevent slip fitter rotation, remove one set screw, drill a small recessed screw point into the tenon or pole, being careful to avoid damaging the threads in the slip fitter. Replace the set screw, ensuring proper torque.

STEP 4: WIRING THE HORIZONTAL TENON MOUNT:
Feed the arm mount wire leads (supplied) through the wireway hole(s) inside slipfitter and out of the arm tenon(s).

WIRING THE VERTICAL TENON MOUNT:
Remove end cap from arm(s). Feed the arm mount wire leads (supplied) through the wireway hole(s) inside slip fitter and out of the arm. Feed the fixture wires through tenon(s) and out end of arm(s).

STEP 5: Refer to **VF INSTRUCTIONS** for fixture mounting.

FIG 5.1 TMVT (RD shown, SQ typical)

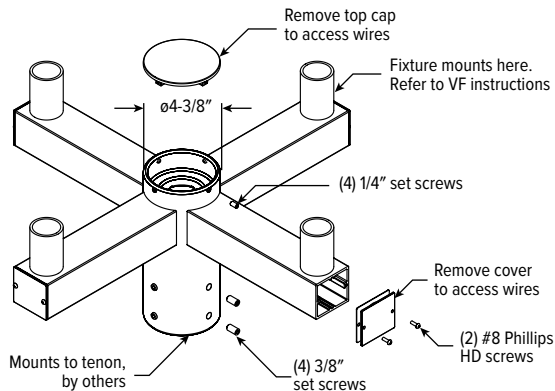


FIG 5.2 TMHT (SQ shown, RD typical)

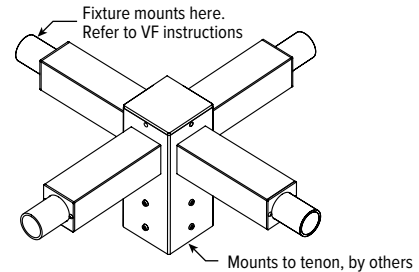
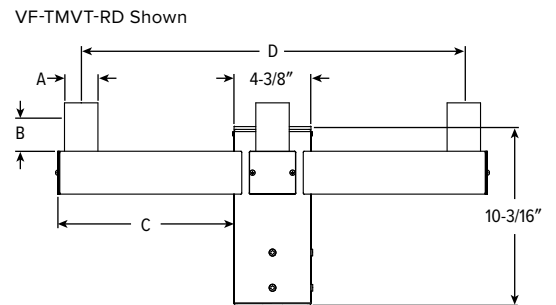
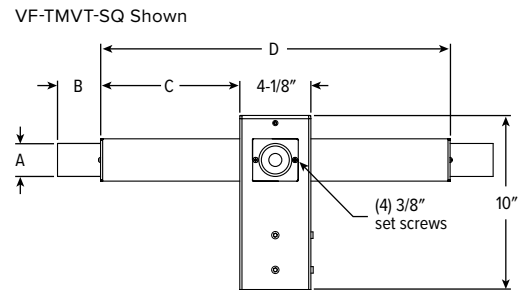


FIG 5.3 Note: Q90 quad mounts shown - other arm mount options typical less one or more arms



		A	B	C	D
VF1	TMHT	SQ	1-15/16"	2-3/4"	8"
		RD			20-3/16"
	TMVT	SQ			21-7/16"
		RD			10"
VF2	TMHT	SQ	2-3/8"	4-1/4"	12"
		RD			28-1/16"
	TMVT	SQ			28-1/4"
		RD			14"
					28-7/8"