

# VF STRAIGHT ARM CENTER TENON

## INSTALLATION INSTRUCTIONS



### WARNING:

- This product must be installed in accordance with the applicable installation code by a person familiar with the construction and operation of the product and the hazards involved.
- Make sure all electrical power is turned off while installing the fixture.
- This luminaire must be adequately grounded for protection against shock hazards and to assure proper operation.
- Disconnect power before servicing.
- LEDs are ESD (Electro Static Discharge) sensitive devices that can be easily damaged if the proper ESD mitigating steps are not taken.
- LEDs are very sensitive to mechanical damage. Caution must be taken to avoid damage to the LEDs.
- ESD or mechanical damage voids all warranties.

### TOOLS/FASTENERS REQUIRED:

- Torque Wrench with range of 15-125 lb-in.
- 1/8" Hex Key
- 5/32" Hex Key

### FOR USE WITH:

- VF1-TMVT
- VF1-TMHT
- VF1-HT
- VF2-TMVT
- VF2-TMHT
- VF2-HT

### CENTER TENON INSTALLATION

**STEP 1:** Feed incoming power supply wires through the slipfitter and place slipfitter over any 2" (2-3/8 O.D.) tenon.

**NOTE:** Optional slipfitters to fit over a 2-7/8" O.D. or 3" O.D. pole tops available.

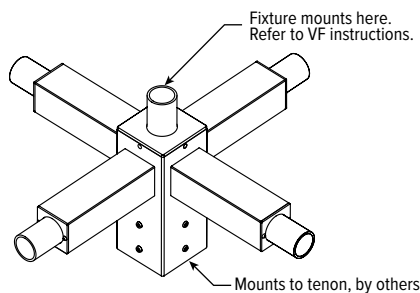
**STEP 2:** Level top of slipfitter and tighten the (4) 3/8-16 set screws. Torque to 115-125 lb-in.

**NOTE:** To prevent slipfitter rotation, remove one set screw, drill a small recessed screw point into the tenon or pole, being careful to avoid damaging the threads in the slipfitter.

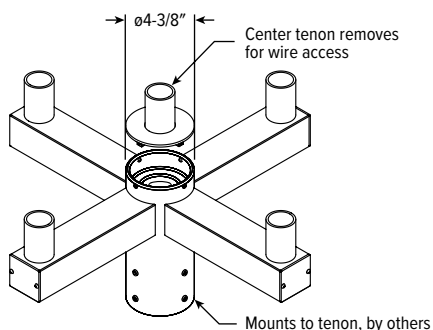
**STEP 3:** Replace the set screw (provided) ensuring proper torque.

**STEP 4:** Refer to [VF INSTRUCTIONS](#) for fixture mounting.

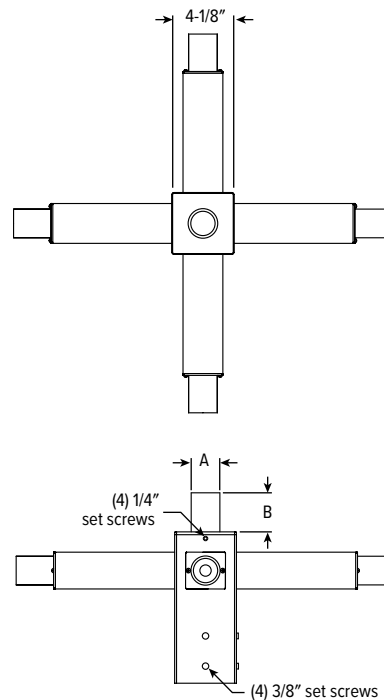
**FIG 4.1** TMHT-SQ-CT Shown



**FIG 4.2** TMHT-RD-CT Shown



**FIG 4.3** VF-TMHT-SQ-CT Shown



	A	B
VF1	1-15/16"	2-3/4"
VF2	2-3/8"	4-1/4"