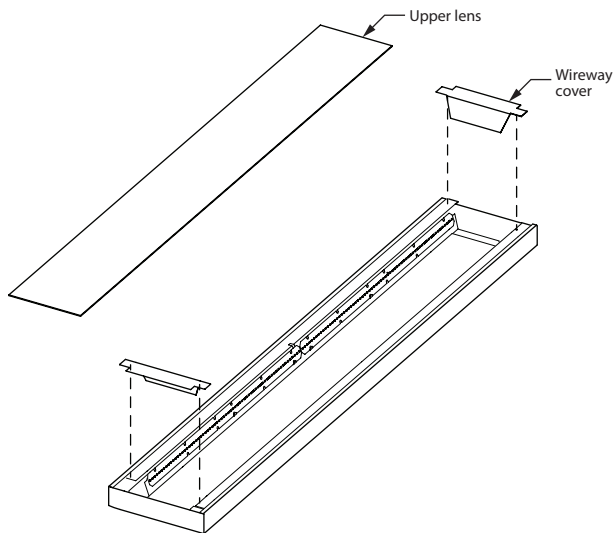


WARNING:

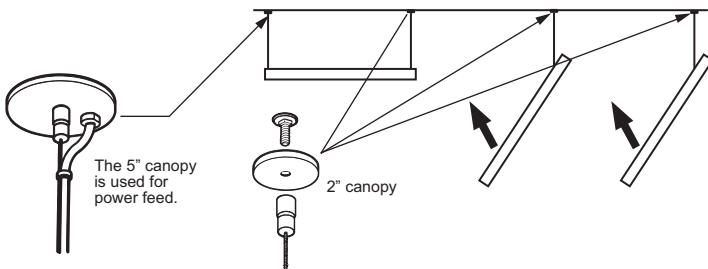
- This product must be installed in accordance with the applicable installation code by a person familiar with the construction and operation of the product and the hazards involved.
- Make sure all electrical power is turned off while installing the fixture.
- This luminaire must be adequately grounded for protection against shock hazards and to assure proper operation.
- Disconnect power before servicing.
- LEDs are ESD (Electro Static Discharge) sensitive devices that can be easily damaged if the proper ESD mitigating steps are not taken.
- LEDs are very sensitive to mechanical damage. Caution must be taken to avoid damage to the LEDs.
- ESD or mechanical damage voids all warranties.

STEP 1: Remove and set aside clear upper lens. Remove all end covers.



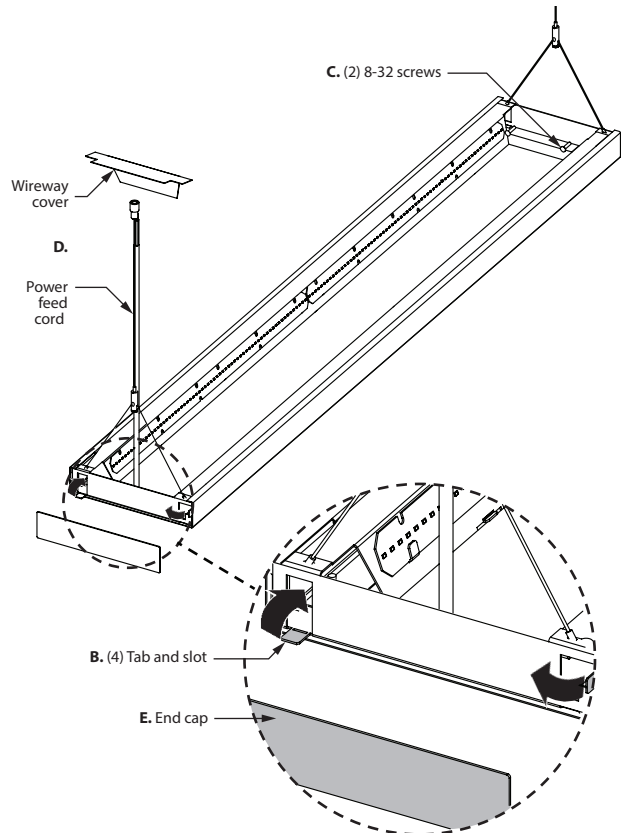
STEP 2: STARTING A ROW Note that only the first fixture in each row will require two suspension cables. Each adjoining fixture will require only one cable before attaching to the previous fixture.

Note: For safety - Always support the weight of the fixture. Do not leave a fixture hanging by only one end while working!



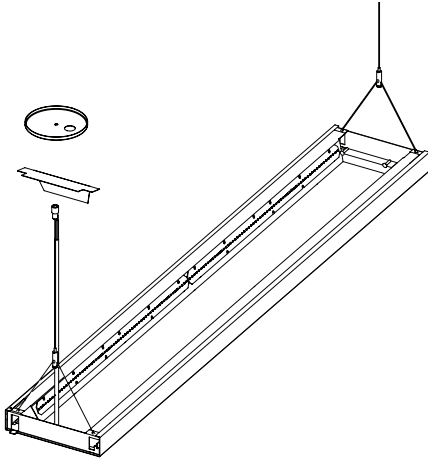
STEP 3: HANG & CONNECT ROWS Begin each row by hanging & leveling the power feed fixture from the first two suspension cables. The second fixture in line will hang from the following suspension cable and attach to the end of the first fixture as follows:

- Plug fixtures together with quick-connect wiring at fixture ends.
- Interlock 2 tabs and slots at each end of fixtures for correct alignment. Bend alignment tabs 90° inward at row ends before installing end caps.
- Install (2) 8-32 Phillips screws (included with joiner fixture hardware) through end of fixture to attach to next fixture. Securely fasten fixtures together with 8-32 hex nuts.
- Install snap bushings in outer portion of cable keyhole to prevent cable from coming unfastened.
Each additional fixture in the row attaches in the same manner.
- Run cord through wireway cover before hooking to power.
- Install end caps at each end of row.

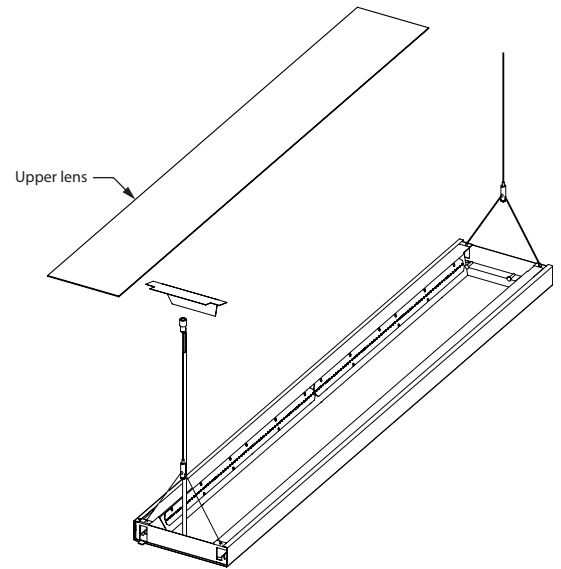


SDI5 LED SERIES INSTALLATION INSTRUCTIONS

STEP 4: SUSPEND & LEVEL Install the adjustable Y-cable into the keyhole slots on each end of the SDI5. Hang the fixture from suspension cables by threading the cable into the adjustable holder. Level the fixture by adjusting the vertical cable up or down, or by adjusting the cross-cable left to right as needed.



STEP 5: RE-MOUNT WIREWAY COVERS Install upper lens by sliding under tabs on each end.



MOUNTING POINT DIMENSIONS

Mounting brackets for suspending light fixtures must be placed exactly every 4 feet or 8 feet depending on length of fixture to be installed.

One power feed source through 5" diameter canopy will be used per single fixture when installing individual fixtures, or per row when installing in series. Each non-power mounting point will require a 2" diameter canopy

