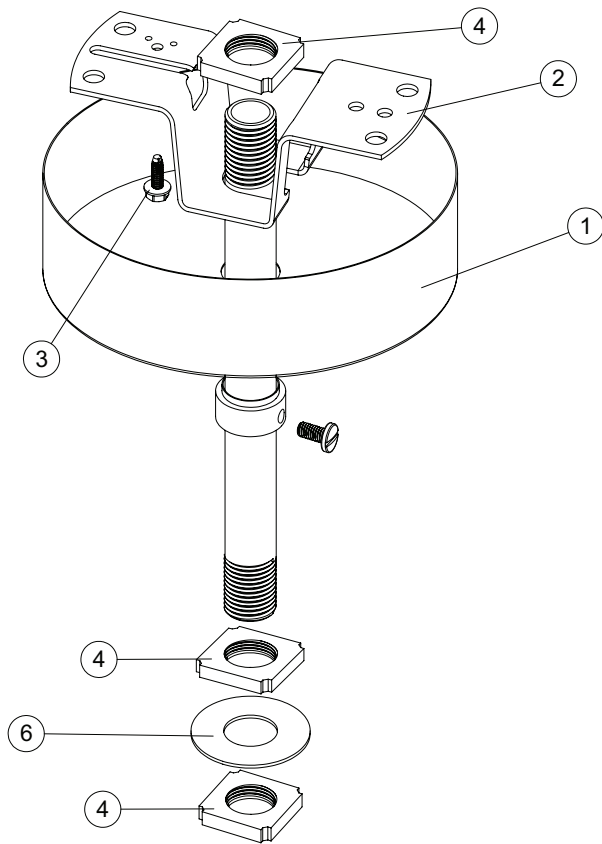
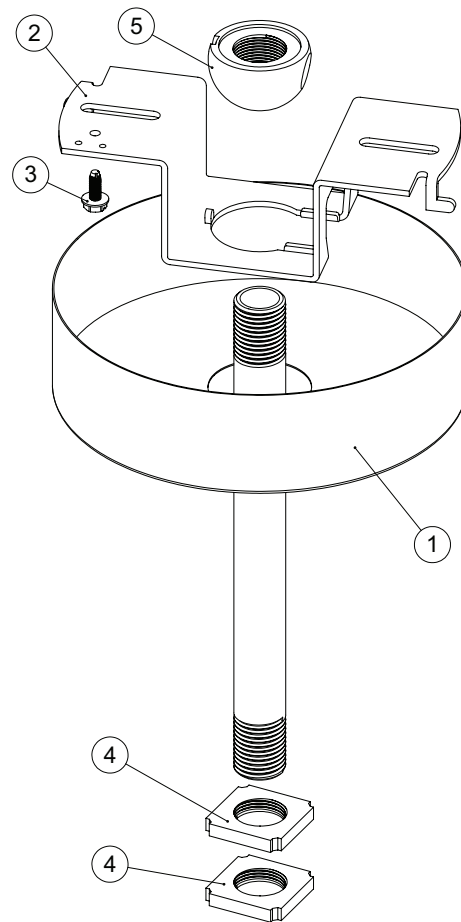


SS SINGLE STEM & CANOPY



SWS STEM & SWIVEL CANOPY



PARTS LIST

- #1: Canopy cover
- #2: Cross bar (attached to junction box)
- #3: Ground screw
- #4: Square nut
- #5: Half ball
- #6: Fender washer

Note: All cylinders use SWS swivel canopy for interior applications only.
Square nuts not needed for cylinder mounting.