

**WARNING:**

- This product must be installed in accordance with the applicable installation code by a person familiar with the construction and operation of the product and the hazards involved.
- Make sure all electrical power is turned off while installing the fixture.
- This luminaire must be adequately grounded for protection against shock hazards and to assure proper operation.
- Disconnect power before servicing.
- LEDs are ESD (Electro Static Discharge) sensitive devices that can be easily damaged if the proper ESD mitigating steps are not taken.
- LEDs are very sensitive to mechanical damage. Caution must be taken to avoid damage to the LEDs.
- ESD or mechanical damage voids all warranties.

**\*\* FIXTURE MUST BE INSTALLED PRIOR TO DRYWALL OR FINISHED CEILING MATERIAL \*\***

### CEILING FRAMING ALLOWANCES

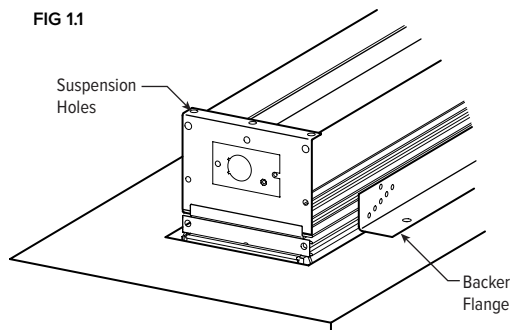
**WARNING:** Ceiling material attaches to this fixture, but the attachment is non-structural. Ceiling material must be structurally supported by framing or other means.

- Framing allowance for width is 6" minimum

### STAND-ALONE ASSEMBLY (See page 4 for Row Assembly)

**STEP 1:** Install backer flanges for proper ceiling thickness

FIG 1.1



- Hand tighten screws. **DO NOT OVERTIGHTEN SCREWS.**
- Use tin snips to modify backer flange length as required.
- Determine ceiling material thickness (Fig 1.2)
  - Find the corresponding backer flange position number (Fig 1.3)
  - Find the corresponding channel position (Fig 1.4)

**CEILING THICKNESS CHART**

FIG 1.2

	A	B	C
1	1/4"	7/8"	1-1/2"
2	3/8"	1"	1-5/8"
3	1/2"	1-1/8"	1-3/4"
4	5/8"	1-1/4"	1-7/8"
5	3/4"	1-3/8"	2"

FIG 1.3

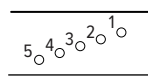
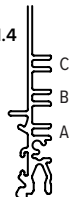


FIG 1.4

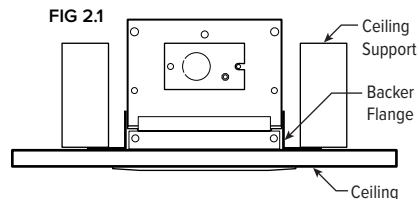


- Align the hole position in the backer flange with the position on the channel. Install backer flange to channel with #8 x 1/4" long screws provided. **DO NOT OVERTIGHTEN AND STRIP SCREWS.**

**STEP 2:** Install fixture

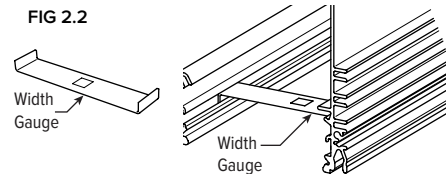
- Raise the fixture into position and secure using the suspension holes for wire tie or 1/4-20 rod (Fig 1.1)
- Ensure proper fixture level by hanging the bottom of backer flange even with wall material mounting structure (Fig 2.1)

FIG 2.1



- Set width gauges at equal distances to maintain channel width during wall material installation (Fig 2.2)

FIG 2.2

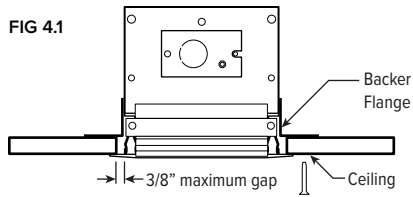


**STEP 3:** Make electrical connections in accordance with NEC and local codes

# MX4RT

## INSTALLATION INSTRUCTIONS

**STEP 4:** Fasten ceiling material to the backer flanges on the fixture



**WARNING:** Ceiling material attaches to this fixture, but the attachment is non-structural. Ceiling material must be structurally supported by framing or other means.

**STEP 5:** Remove width gauges from housings

**A.** Cut gauges in half

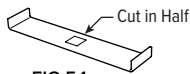


FIG 5.1

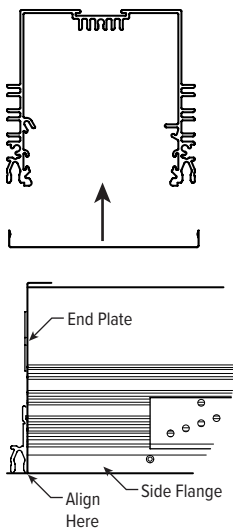
**B.** Push gauge halves up

**C.** Pull gauge halves out from fixture channel

**STEP 6:** Install flanged trim

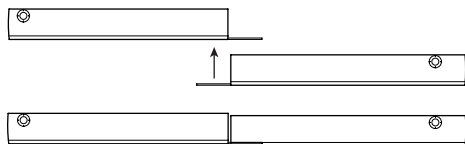
**A.** Align side flanges on fixture cover with end plate

FIG 6.1



**B.** Overlap ends of fixture covers

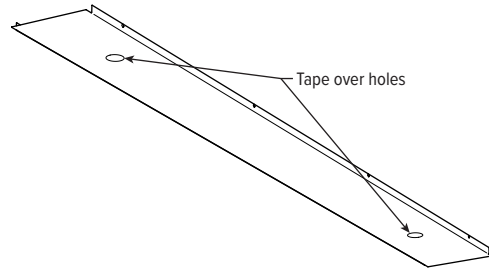
FIG 6.2



**C.** Tape over finger holes in fixture covers

- Install galvanized fixture cover supplied with fixture to protect from overspray during ceiling finish work. Tape over finger holes after installation.

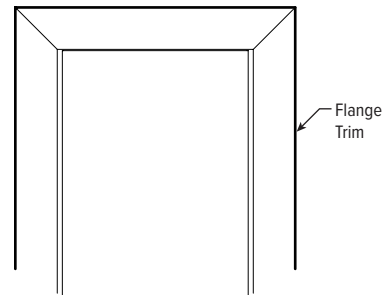
FIG 6.3



**D.** Finish ceiling treatment, including texture and paint (as required)

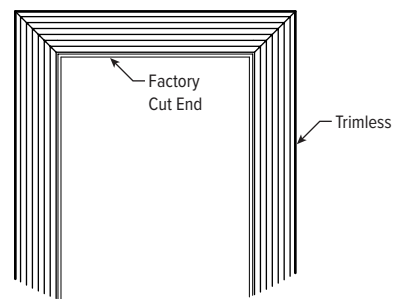
- Install flanged trim (as required) for trim application

FIG 6.4



**STEP 7:** Install flangeless trim

FIG 7.1



**A.** Install and center double mitered end trim into ends of fixture

**B.** Install 8' side trims between the previous trims installed

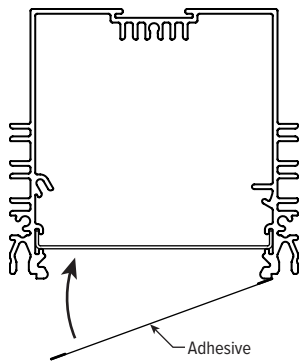
**C.** Cut the last side 8' side trim to fit square with the half piece of mitered side trim at the end. **DO NOT RECUT THE MITERED ENDS.**

# MX4RT

## INSTALLATION INSTRUCTIONS

### STEP 8: Install film masking (supplied with fixture)

FIG 8.1



- A. Adjust length of the mask by cutting mid-section only as required

**NOTE:** Adhesive on masking film is not permanent and can be reapplied.

- Allow for 1" – 2" overlap of masking when installed
  - Remove adhesive liner from one edge of masking
- B. Apply edge of mask to fixture housing inside of trim
- Remove adhesive liner from second edge of masking
- C. Apply second edge of mask to fixture housing
- D. Continue masking fixture row
- Overlap joints by 1" – 2" as shown above

### STEP 9: Apply seam treatment

- A. Tape and mud trim flange to ceiling material
- Apply tape to cover half of trim

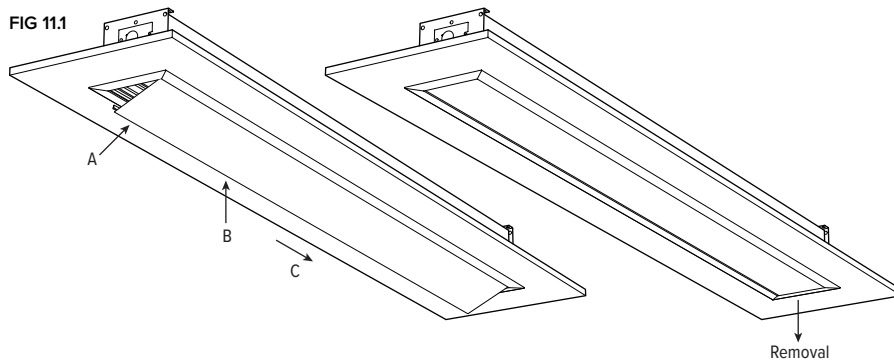
### STEP 10: Finish ceiling treatment

- Texture and paint as required

### STEP 11: Install lenses

- A. Insert one side of the lens into one side of the fixture housing.
- B. Push the corner of the opposite side of the lens into place.
- C. Continue pushing along the housing until the entire lens is installed.
- To remove the lens, pry out starting with the 4" wide end.

FIG 11.1



# MX4RT

## INSTALLATION INSTRUCTIONS

### ROW ASSEMBLY

**STEP 1:** Ceiling Framing Allowances

- See warning on page 1

**STEP 2:** Install backer flanges for proper ceiling thickness

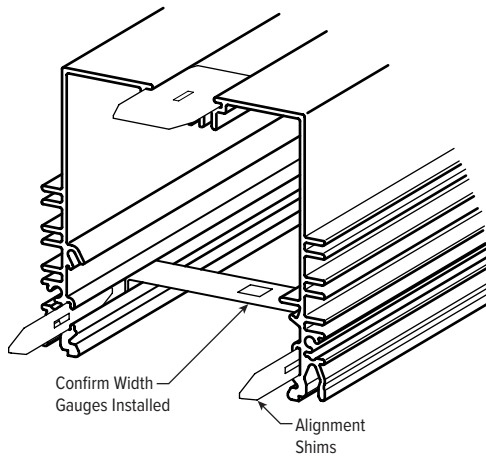
- See Step 1 on page 1

**STEP 3:** Joiner fixtures installation (as required)

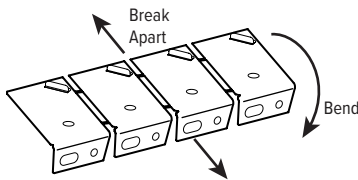
**NOTE:** In a continuous row mount application, the second end plate assembly supplied with the feeder fixture installs onto the end of the last joiner fixture in the run.

**STEP 4:** Install alignment shims into leading end of joiner fixture housing

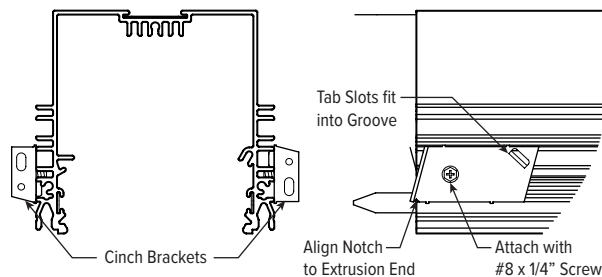
- Insert shims approximately 1/2" and bend slightly outward to create binding
- Continue to insert side shims until the slot reaches the fixture housing
- Continue to insert the top shim until the slot is only half visible



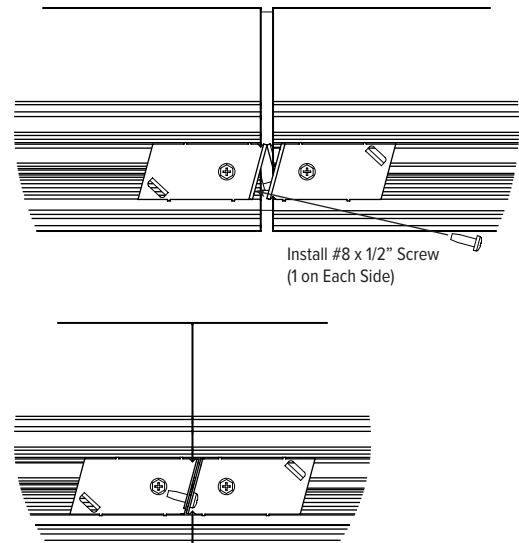
**STEP 5:** Bend cinch bracket grouping and break the 4 pieces apart



**A.** Mount cinch brackets using supplied #8 x 1/4" screws



**STEP 6:** Align and join extrusions

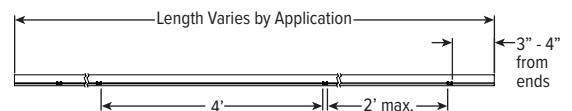


**STEP 7:** Fixture Mounting

- See Step 2 on page 1

**STEP 8:** Install Trim

- See Step 6 on page 2
- For row mount applications, cut the double mitered side trim (supplied with feeder fixture) in the middle between the clips that are approximately 4" apart. Install one half of the trim into the fixture at the end of the row. Position tight against the double mitered end trim already installed.



**STEP 9:** Install Film Masking through Lens Installation

- See Steps 8 – 11 on page 3

**NOTE:** Cut final lens to length as required.