

NEMA TYPE F

INSTALLATION INSTRUCTIONS



WARNING:

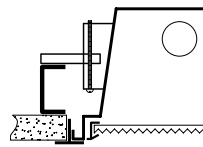
- This product must be installed in accordance with the applicable installation code by a person familiar with the construction and operation of the product and the hazards involved.
- Make sure all electrical power is turned off while installing the fixture.
- This luminaire must be adequately grounded for protection against shock hazards and to assure proper operation.
- Disconnect power before servicing.
- LEDs are ESD (Electro Static Discharge) sensitive devices that can be easily damaged if the proper ESD mitigating steps are not taken.
- LEDs are very sensitive to mechanical damage. Caution must be taken to avoid damage to the LEDs.
- ESD or mechanical damage voids all warranties.

FOR USE WITH:

- 50F
- DILF
- EPF
- HE3F
- HETLF
- V50F
- VDILF

WHAT IS A NEMA “F” (FLANGE) FIXTURE?

NEMA Type “F” fixtures ship with the side trims, end trims, and swing-out brackets assembled to the fixture. See specification sheets for exact dimensions of swing-out bracket vertical adjustment and ceiling cut-out.



NEMA TYPE “F” INSTALLATION

STEP 1: Prepare the ceiling opening for the fixture.

NOTE: Do not exceed the maximum recommended ceiling opening. Refer to the specification sheet for dimensions. The supporting frame work, trusses, etc. can not exceed 3-1/2” in height.

STEP 2: Locate the access plate on the back of the fixture and connect flex to the fixture, but do not make electrical connections.

STEP 3: Install the fixture(s) into the ceiling system:

- Make sure the swing-out arms are collapsed, setting against the fixture housing, see FIG 3.1. With assistance, lift the fixture into the prepared ceiling opening.
- Locate the swing-out arm screws in the fixture housing, near where the door frame would rest in the fixture, see FIG 3.1. Tighten the swing-out screws to engage the swing-out arms so that they clamp onto the ceiling support structure, see FIG 3.2.

NOTE: Additional ceiling support may be used around the ceiling opening to aid in fixture installation, see FIG 3.2.

FIG 3.1

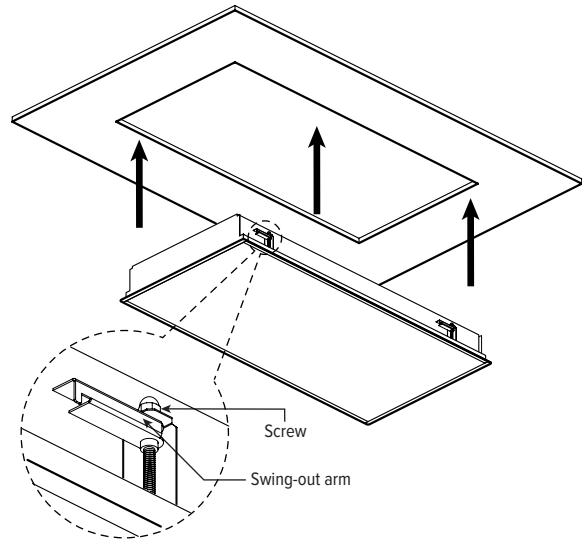
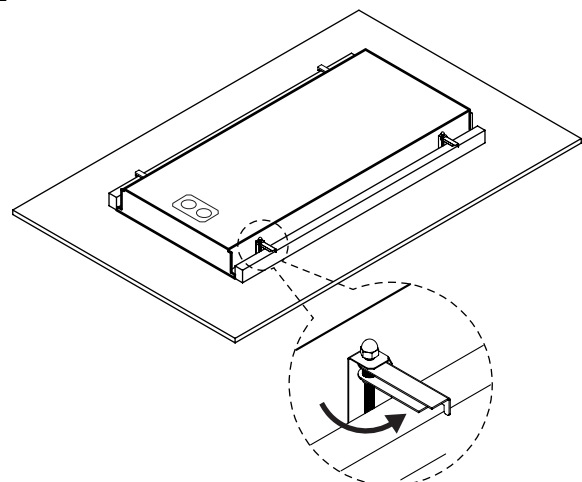


FIG 3.2



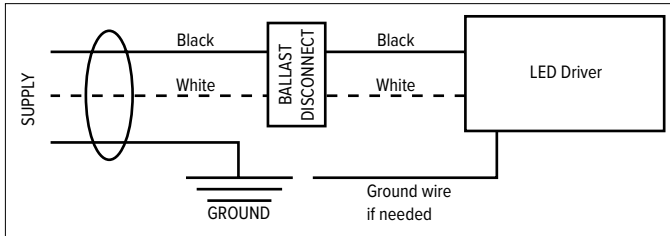
NEMA TYPE F

INSTALLATION INSTRUCTIONS

STEP 4: Once the fixture is secured and locked in place, make electrical connections per NEC and all applicable local electrical codes.

STEP 5: Attach power supply and ground wires using UL listed wire connectors. Ballast disconnect accepts #12 - #16 AWG stranded or solid wire, see FIG 5.1.

FIG 5.1



NOTE: Please consult factory for other driver configurations or emergency driver wiring diagrams