

**WARNING:**

- This product must be installed in accordance with the applicable installation code by a person familiar with the construction and operation of the product and the hazards involved.
- Make sure all electrical power is turned off while installing the fixture.
- This luminaire must be adequately grounded for protection against shock hazards and to assure proper operation.
- Disconnect power before servicing.
- LEDs are ESD (Electro Static Discharge) sensitive devices that can be easily damaged if the proper ESD mitigating steps are not taken.
- LEDs are very sensitive to mechanical damage. Caution must be taken to avoid damage to the LEDs.
- ESD or mechanical damage voids all warranties.

**TABLE OF CONTENTS**

A. GRID CEILING T-BAR INSTALLATION.....	1	C. SURFACE MOUNT INSTALLATION.....	3
B. SLOTTED T-BAR INSTALLATION.....	2	D. REMOTE BOX INSTALLATION.....	4

**A. GRID CEILING T-BAR INSTALLATION**

**FOR USE WITH WB OR NB T-BAR BRACKET**

**STEP 1: Bracket installation**

- A. See chart below for recommended bracket spacing per each fixture length.

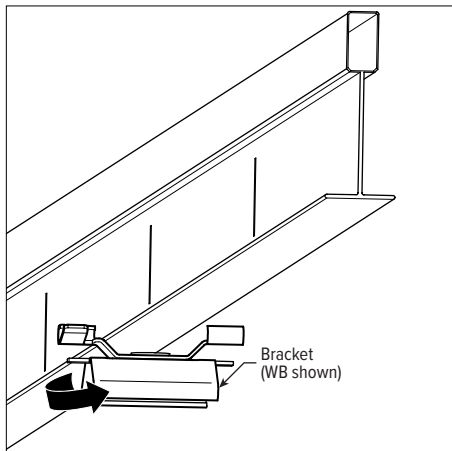
FIG A.1.1

BRACKET SPACING	
2'	(2) Brackets 14" apart
4'	(2) Brackets 36" apart
6'	(3) Brackets: (1) in center (2) 24" from center
8'	(4) Brackets 24" apart

- B. Align bracket to T-bar as shown (FIG A.1.2)

NOTE: Brackets must be parallel or aligned to each other for proper fixture installation.

FIG A.1.2

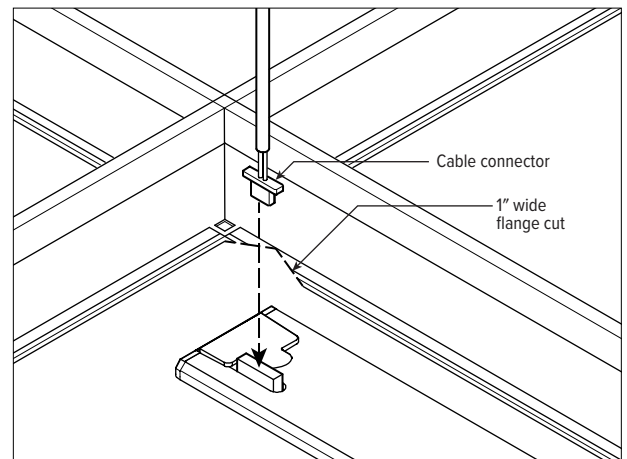


- C. Install bracket to ceiling T-bar. Push up and rotate bracket counter-clockwise until it positively locks in place onto T-bar and will not move. Bracket removal is required to change position.

**STEP 2: Make electrical connections**

- A. For 15/16" T-bar only: Cut bottom flange 1" wide as shown (FIG A.2.1) for fixture cable connection clearance.
- B. Connect cable. Note: cable connection is "keyed". Proper alignment is required. Press on ends of the cable connector and pull upward to remove.

FIG A.2.1



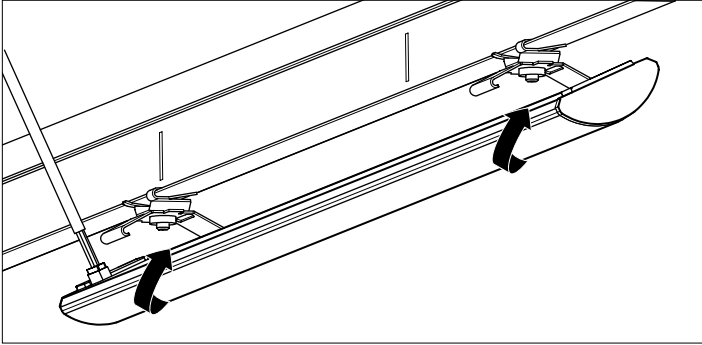
# SL LED

## INSTALLATION INSTRUCTIONS

### STEP 3: Fixture installation

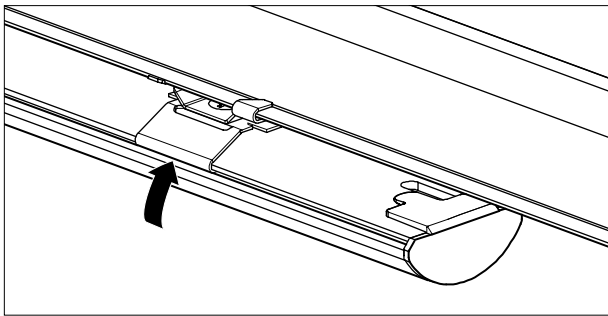
- A. Insert fixture mounting channel onto the mounting brackets

FIG A.3.1



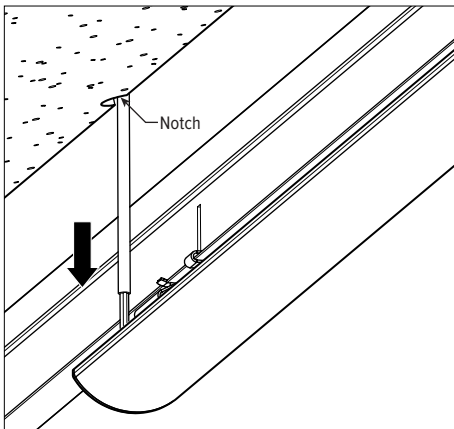
- B. Push fixture back and up to secure bracket into the channel above lens. Make certain fixture is secured into mounting brackets.

FIG A.3.2



- C. Lower ceiling panel onto grid flange. Notch ceiling panel for cable clearance, if needed.

FIG A.3.3



### B. SLOTTED T-BAR INSTALLATION

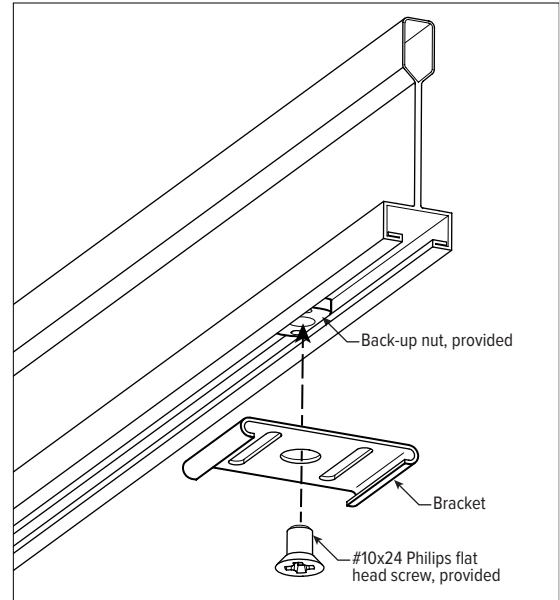
#### FOR USE WITH SB SLOTTED T-BAR BRACKET

#### STEP 1: Bracket installation

- A. See FIG A.1.1 on page 1 for recommended bracket spacing per each fixture length.

NOTE: Brackets must be parallel or aligned to each other for proper fixture installation.

FIG B.1.1



- B. Slip back-up nut into slot

- C. Fasten bracket with provided screw

#### STEP 2: Follow grid ceiling T-bar installation STEPS 2 – 3

# SL LED

## INSTALLATION INSTRUCTIONS

### C. SURFACE MOUNT INSTALLATION

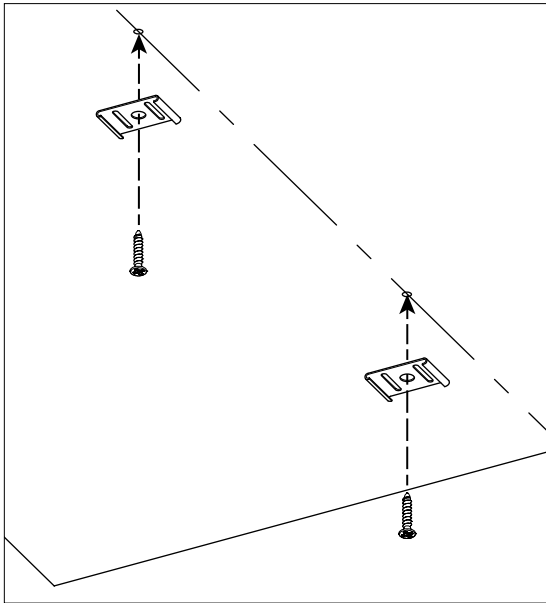
#### FOR USE WITH SM CLIP

**NOTE:** The surface mount bracket requires (1) #10 flat head screw per bracket. Installer must use hardware (by others) to satisfy the requirements of different substrate types (examples: wood, metal, drywall, masonry) and meet local codes if required

#### STEP 1: Bracket installation

- A. See FIG A.1.1 on page 1 for recommended bracket spacing per each fixture length.

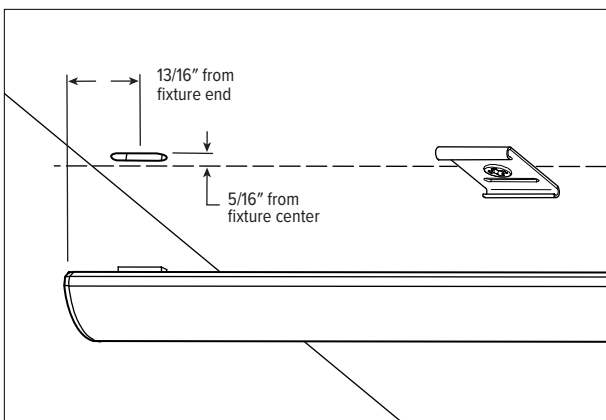
FIG C.1.1



#### STEP 2: Cable access

- A. Option 1: Slot – (preferred - will be less noticeable for finished install). Use 1/4" drill bit as required to make 3/4" long slot shape. See FIG C.2.1

FIG C.2.1

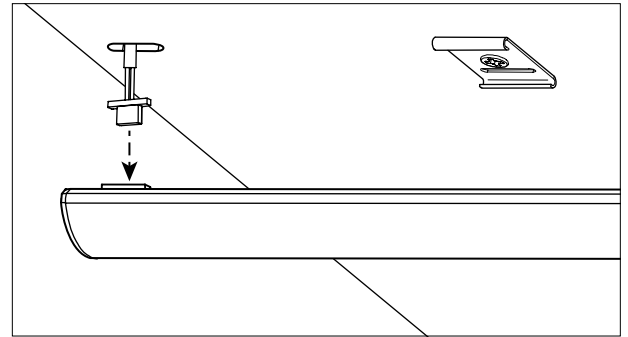


- B. Option 2: Hole – drill through with 3/4" drill bit.

#### STEP 3: Make electrical connections

- A. Connect cable. Note: cable connection is “keyed”. Proper alignment is required. Press on ends of the cable connector and pull upward to remove.

FIG C.3.1



#### STEP 4: Fixture installation

- A. Align groove in fixture to mate with one side of mounting clips at a slight angle.
- B. Align cable to access hole.
- C. Rotate fixture to surface. Force is required to expand clip and secure (snap) in place. Verify attachment.

# SL LED

## INSTALLATION INSTRUCTIONS

### D. REMOTE BOX INSTALLATION

#### FOR USE WITH REMOTE DRIVER AND/OR REMOTE EMERGENCY BATTERY

##### NOTE:

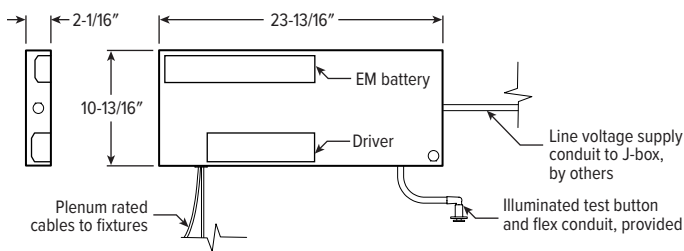
- Install remote box in accordance with NEC and local codes.
- Multiple fixtures may be powered by a single remote box. Wattages of all fixtures combined must not exceed maximum wattage listed on remote box.
- Incoming wire connections and fixture connections must be kept separate within the remote box.
- Fixtures are equipped with 10' long cables from factory. Driver box mounting location to be within fixture cable reach. Consult factory for additional lengths.

**STEP 1:** Secure remote box with (4) screws (by others) using the mounting holes inside the box.

**STEP 2:** Make electrical connections

- A.** Attach incoming power to box as required.  
For emergency battery only: connect EM unswitched power.
- B.** Feed the fixture cables (provided) through the strain relief on side of box.
- C.** Attach incoming ground wire to ground wire in box. Make all other connections as required.

**FIG D.2.1** Typical emergency remote driver box detail



**FIG D.2.2** Typical remote driver box detail

