

# 76R/80R LED

## INSTALLATION INSTRUCTIONS



**WARNING:**

- This product must be installed in accordance with the applicable installation code by a person familiar with the construction and operation of the product and the hazards involved.
- Make sure all electrical power is turned off while installing the fixture.
- This luminaire must be adequately grounded for protection against shock hazards and to assure proper operation.

- Disconnect power before servicing.
- LEDs are ESD (Electro Static Discharge) sensitive devices that can be easily damaged if the proper ESD mitigating steps are not taken.
- LEDs are very sensitive to mechanical damage. Caution must be taken to avoid damage to the LEDs.
- ESD or mechanical damage voids all warranties.

**FOR USE WITH:**

- 76R
- 80R

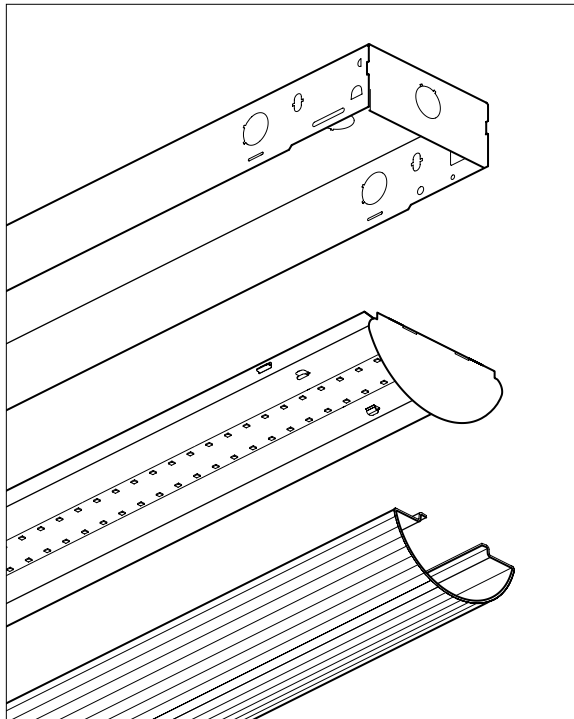
**TABLE OF CONTENTS**

A. GENERAL MOUNTING.....	1	D. WIREGUARD INSTALLATION.....	2
B. MOUNTING USING VBY HANGER.....	1	E. REFLECTOR INSTALLATION.....	2
C. MOUNTING USING CEILING SPACER BRACKETS.....	2	F. ROW ALIGNER INSTALLATION.....	2

**A. GENERAL MOUNTING**

**STEP 1:** Remove lens and wireway cover from fixture. Secure fixture to ceiling using adequate hardware, by others.

FIG A.1.1



**STEP 2:** Make electrical connections in accordance with NEC and local codes. See FIG B.4.2

**STEP 3:** Re-install wireway cover and lens. Install end plates on non-row mounted ends.

**B. MOUNTING USING VBY HANGER**

**STEP 1:** Spread VBY hangers to clear fixture housing and insert into slots.

**STEP 2:** Attach VBY hanger to cable or chain (by others) adequately secured to ceiling structure.

**STEP 3:** Remove lens and wireway cover from fixture. See FIG A.1.1 Make electrical connections in accordance with NEC and local codes.

**STEP 4:** Re-install wireway cover and lens. Install end plates on non-row mount ends. See FIG B.4.2

FIG B.4.1

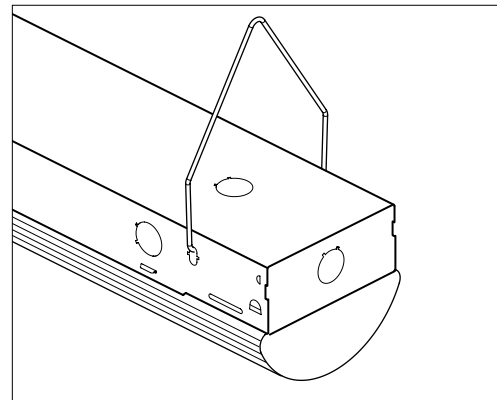
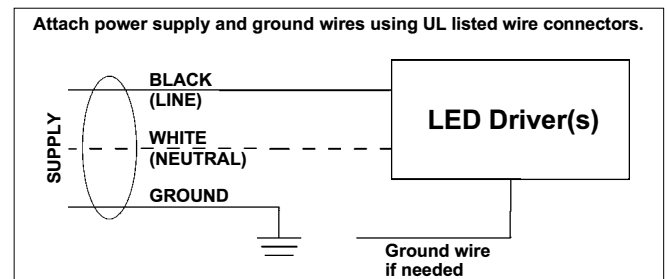


FIG B.4.2



# 76R/80R LED

## INSTALLATION INSTRUCTIONS

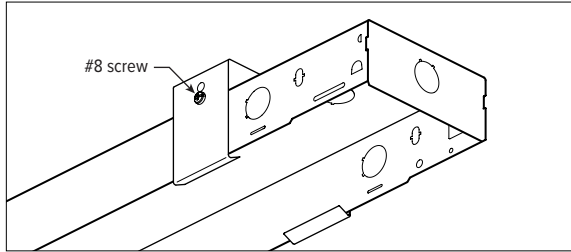
### C. MOUNTING USING CEILING SPACER BRACKETS

FOR USE WITH SHM-76R OR SHS-76R

**STEP 1:** Secure spacer bracket to ceiling using adequate hardware, by others.

**STEP 2:** Remove lens and wireway cover from fixture. See FIG A.1.1 Raise fixture into place and install by engaging spacer brackets. Insert (2) #8 screws (provided) to secure fixture. See FIG C.2.1

FIG C.2.1



**STEP 3:** Make electrical connections in accordance with NEC and local codes. See FIG B.4.2 on page 1.

**STEP 4:** Re-install wireway cover and lens.

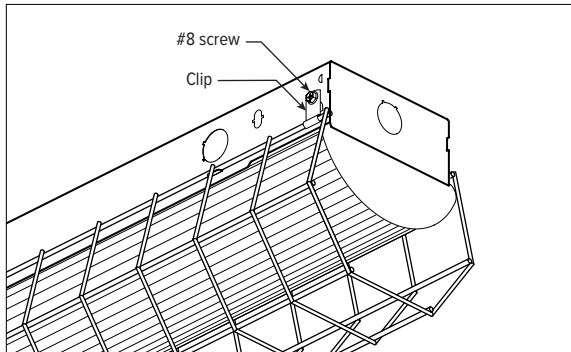
**NOTE:** Wireway cover must be positioned behind mounting bracket flange or lens will not install properly.

Install end plates on non-row mounted ends.

### D. WIREGUARD INSTALLATION

Install wireguard on fixture housing with (4) clips and (4) #8 screws, provided.

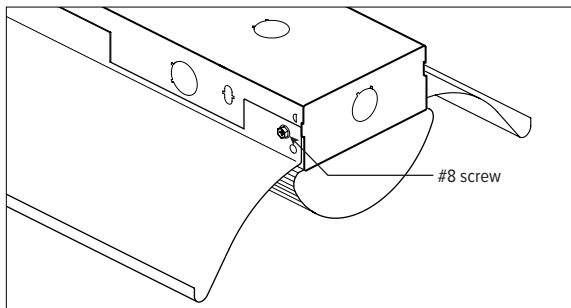
FIG D.4.1



### E. REFLECTOR INSTALLATION

Install reflector(s) on fixture housing with screws (2 per reflector), provided.

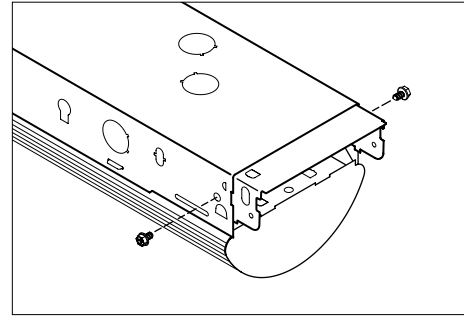
FIG E.4.2



### F. ROW ALIGNER INSTALLATION

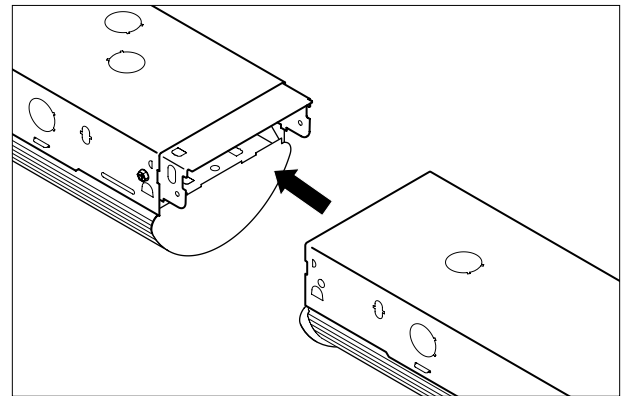
**STEP 1:** Insert row aligner and secure with (2) screws

FIG F.1.1



**STEP 2:** Insert adjoining fixture onto row aligner.

FIG F.2.1



**STEP 3:** Once fully seated, insert screw through adjoining fixture and into row aligner. Install end plates on end of row.

FIG F.3.1

