

# LED CYLINDERS – SURFACE | WALL



## INSTALLATION INSTRUCTIONS

### WARNING:

- This product must be installed in accordance with the applicable installation code by a person familiar with the construction and operation of the product and the hazards involved.
- Make sure all electrical power is turned off while installing the fixture.
- This luminaire must be adequately grounded for protection against shock hazards and to assure proper operation.
- Disconnect power before servicing.
- LEDs are ESD (Electro Static Discharge) sensitive devices that can be easily damaged if the proper ESD mitigating steps are not taken.
- LEDs are very sensitive to mechanical damage. Caution must be taken to avoid damage to the LEDs.
- ESD or mechanical damage voids all warranties.

### FOR USE WITH:

- 4CR
- 4CRDI
- 4CS
- 4CSDI
- 6CR
- 6CRDI
- 8CR
- 8CRDI

### TABLE OF CONTENTS

A. SURFACE MOUNT INSTALLATION.....	1	C. TrimLock® INSTALLATION.....	3
B. WALL MOUNT INSTALLATION.....	2		

## A. SURFACE MOUNT INSTALLATION

FIG A.0.1

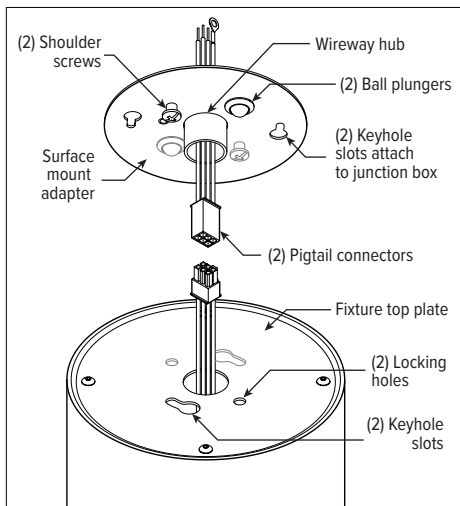


FIG A.0.2 8CR Lanyard Detail

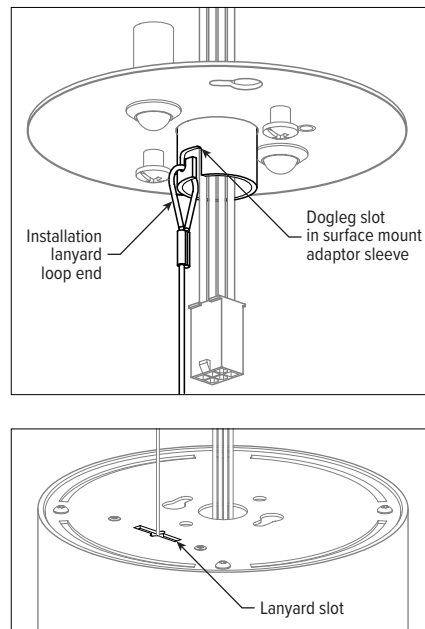


FIG A.0.3 Wiring Diagram

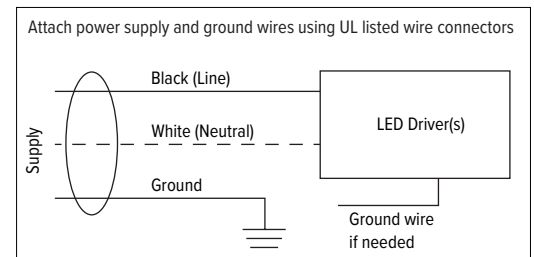
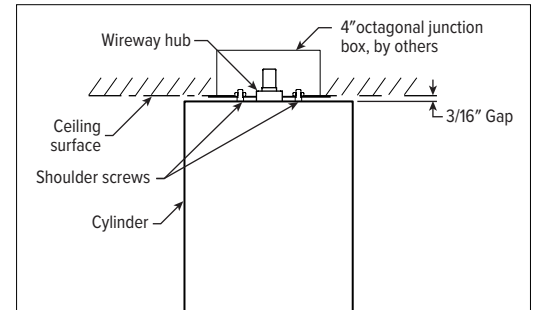


FIG A.0.4



**STEP 1:** 8CR ONLY: Pull the installation lanyard up from its nesting slot and engage the loop end with the surface mount adaptor. See FIG A.0.2. Proceed with installation.

**NOTE:** When not in use, the installation lanyard will drop down into slot in fixture top plate, avoiding interference with the surface mount mechanism.

**STEP 2:** Terminate the 6-wire pigtail from the surface mount adaptor as required, then attach the adaptor to the 4" octagonal junction box using the included keyhole slots. See FIG A.0.3 Wiring Diagram

**STEP 3:** Lift the cylinder up to the surface mount adaptor so that (2) pigtail connectors can be terminated, then push the connectors down into the cylinder's top plate.

**STEP 4:** Continue to lift the cylinder until the wireway hub passes through the center hole in the cylinder's top plate (this will maintain alignment).

**STEP 5:** While pressing upward, rotate the cylinder until you feel the major diameter of the cylinder's keyhole slots pass over the shoulder screws.

**STEP 6:** Increase upward pressure while rotating the cylinder clockwise. After around 10° of rotation, there will be a snapping sound as the ball plungers drop down to engage the locking holes - the installation is now complete.

# LED CYLINDERS – SURFACE | WALL

## INSTALLATION INSTRUCTIONS

### B. WALL MOUNT INSTALLATION

FIG B.6.1

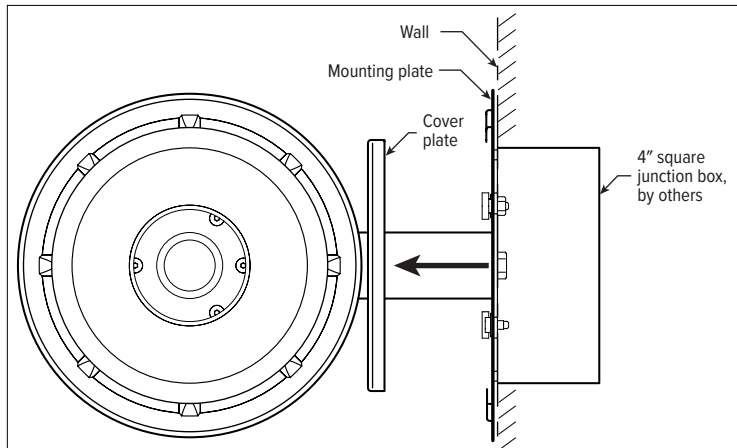


FIG B.6.3

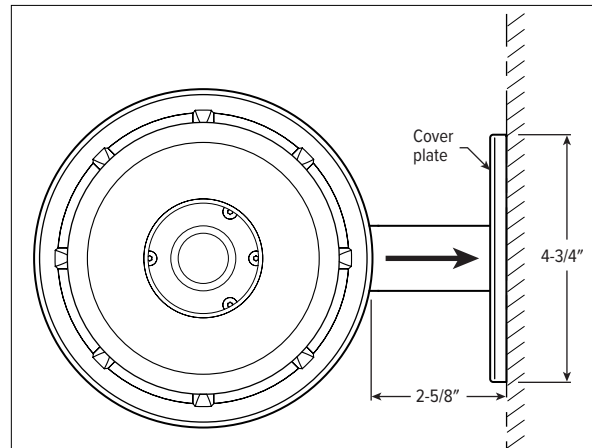


FIG B.6.2

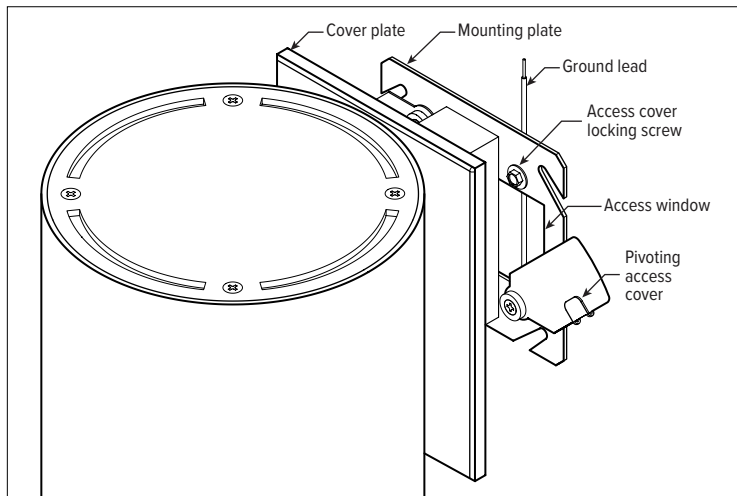
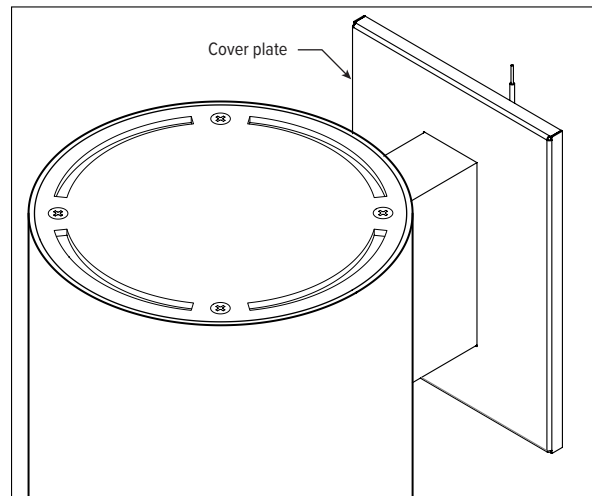


FIG B.6.4



**STEP 1:** Disengage the cover plate from the mounting plate and slide it up against the cylinder.

**STEP 2:** Loosen the access cover locking screw so that the pivoting access cover can swing open.

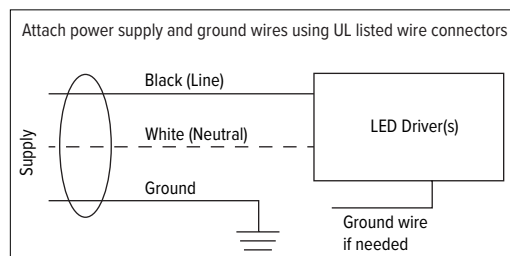
**STEP 3:** Pull all cylinder leads through the access window on either side of the mounting plate.

**STEP 4:** Pull all line leads from the 4" square junction box through the same access window, then attach the cylinder to the junction box using the mounting plate. See FIG B.6.5.

**STEP 5:** Push all terminated leads back through the access window into the junction box, then rotate the pivoting access cover to the closed position and tighten access cover locking screw.

**STEP 6:** Slide the cover plate back toward the wall until it is secured by magnets in the mounting plate

FIG B.6.5 Wiring Diagram



# LED CYLINDERS – SURFACE | WALL

## INSTALLATION INSTRUCTIONS

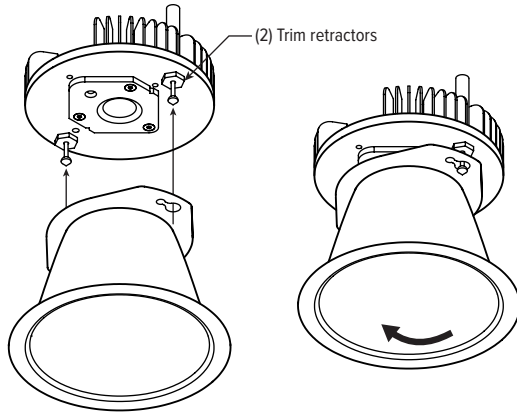
### C. TrimLock® INSTALLATION

FOR USE WITH 6CR, 6CRDI, 8CR, 8CRDI

- A. Align reflector with keyhole slots, then twist reflector  
See FIG C.6.6.

**NOTE:** The trim housing (see FIG C.6.8.) has alignment features that will guide the reflector

FIG C.6.6



- B. Pull reflector downward until audible click is heard, then release. See FIG C.6.7. – FIG C.6.8.

FIG C.6.7

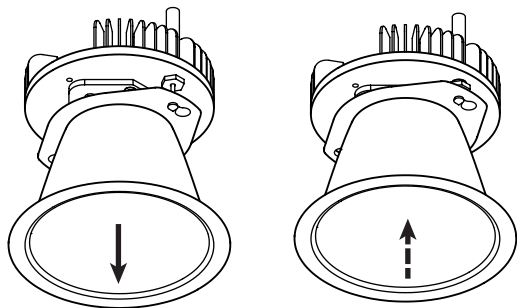
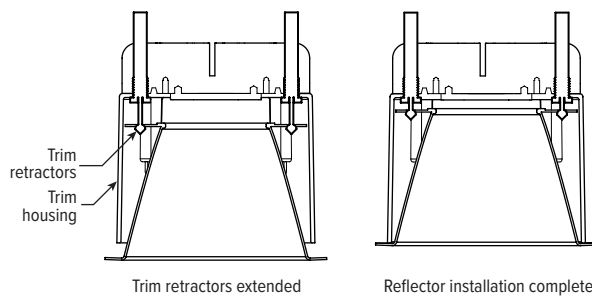


FIG C.6.8



- C. For reflector removal, work the process in reverse