

LED CYLINDERS – PENDANT | POWER CORD

INSTALLATION INSTRUCTIONS



WARNING:

- This product must be installed in accordance with the applicable installation code by a person familiar with the construction and operation of the product and the hazards involved.
- Make sure all electrical power is turned off while installing the fixture.
- This luminaire must be adequately grounded for protection against shock hazards and to assure proper operation.
- Disconnect power before servicing.
- LEDs are ESD (Electro Static Discharge) sensitive devices that can be easily damaged if the proper ESD mitigating steps are not taken.
- LEDs are very sensitive to mechanical damage. Caution must be taken to avoid damage to the LEDs.
- ESD or mechanical damage voids all warranties.

FOR USE WITH:

- 4CR
- 4CS
- 6CR
- 8CR

TABLE OF CONTENTS

A. POWER CORD MOUNT INSTALLATION.....	1	C. TrimLock® INSTALLATION	3
B. PENDANT MOUNT INSTALLATION	2	D. WIRING DIAGRAM.....	3

A. POWER CORD MOUNT INSTALLATION

FIG A.0.1

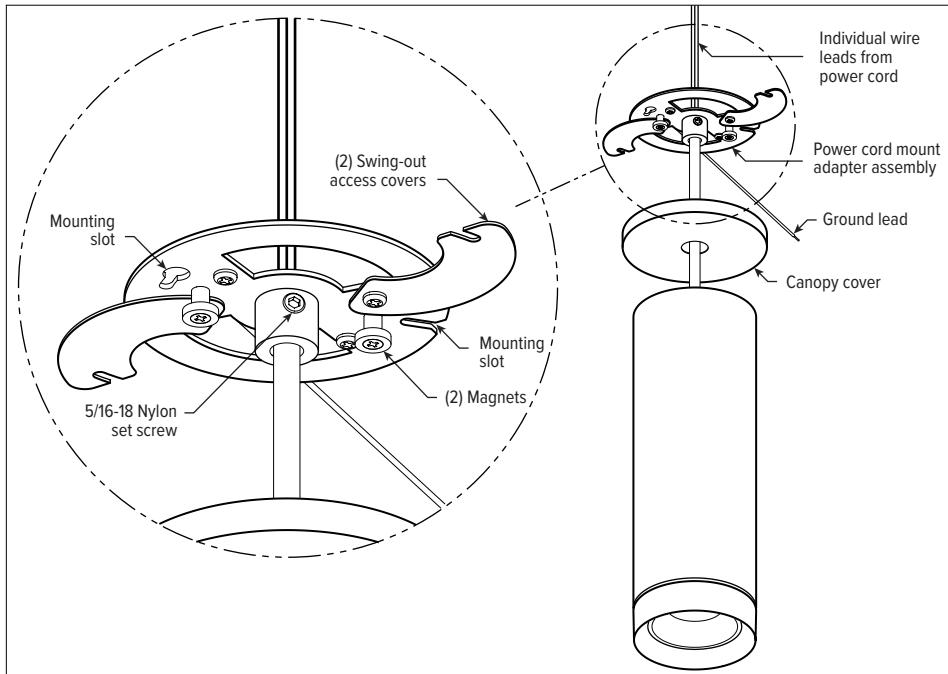
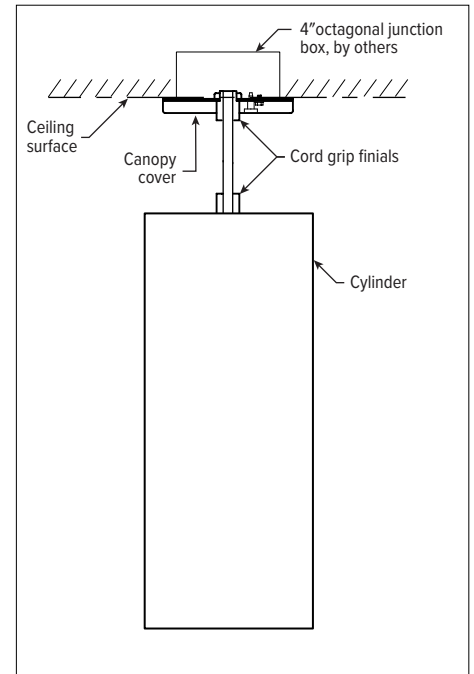


FIG A.0.2



- STEP 1:** Disengage the canopy cover from the from the power cord mount (PC) adaptor magnets.
- STEP 2:** Slightly loosen screws that retain the swing-out access cover(s), rotate cover(s) to open position, then pull all cord leads and ground lead down through the access opening(s).
- STEP 3:** While lifting the cylinder up to the 4" octagonal junction box, pull all power and dimming control leads down through the same access openings, then secure to the junction box using the mounting slots in the cable mount adaptor.

- STEP 4:** Make all lead terminations as required then push all wires up into the junction box. See D. WIRING DIAGRAM on page 3.
- STEP 5:** Rotate swing-out access cover(s) back into the closed position and retighten the associated mounting screws.
- NOTE:** Height and rotational adjustments can be made by using a 5/32" hex bit to loosen/tighten the 5/16-18 nylon set screws. Rotational adjustments may only be needed for square cylinders.
- STEP 6:** Lift the canopy cover back up to the ceiling until it is retained by the magnets on the PC adaptor

LED CYLINDERS – PENDANT | POWER CORD

INSTALLATION INSTRUCTIONS

B. PENDANT MOUNT INSTALLATION

FIG B.6.1 Attach Pendant

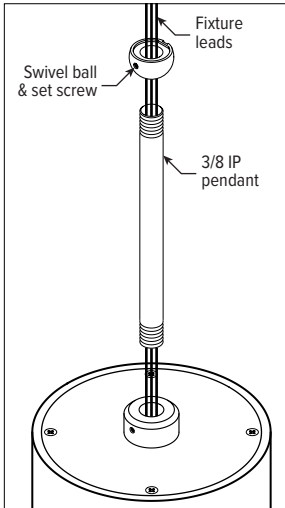


FIG B.6.2 Secure Pendant to Fixture

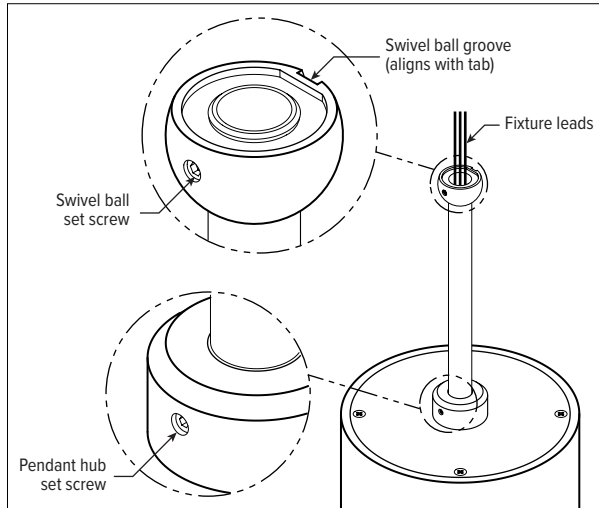


FIG B.6.3 Anchor the Cylinder

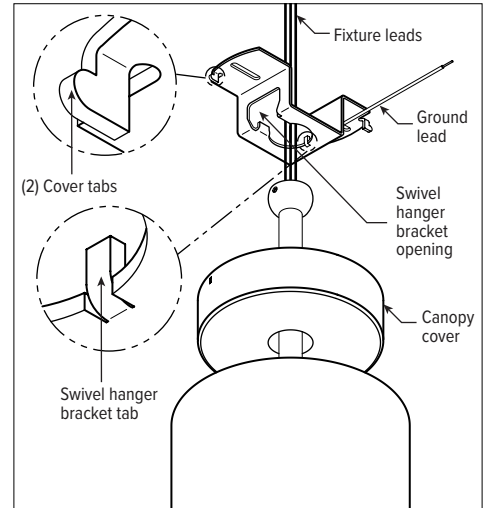


FIG B.6.4 Attach Canopy Cover

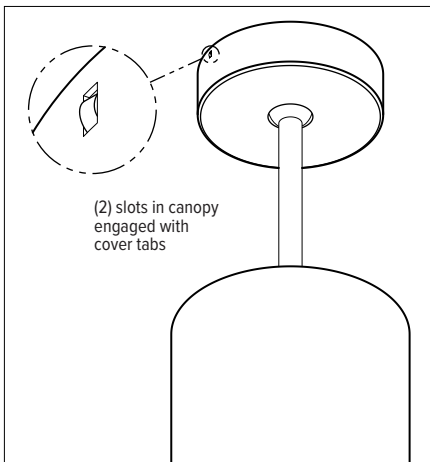
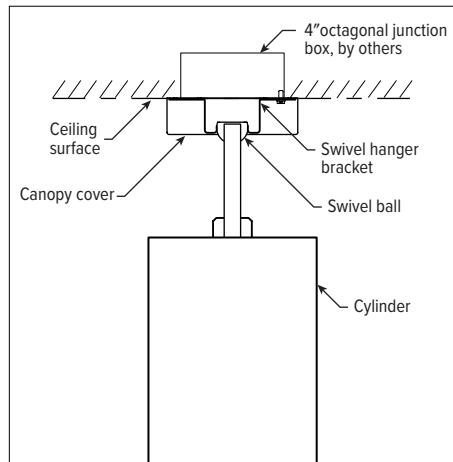


FIG B.6.5



STEP 1: Attach pendant: See FIG B.6.1. & FIG B.6.2.

- A.** Route the fixture leads up through the pendant then thread pendant down into the pendant hub on top of the cylinder. Tighten pendant hub set screw to secure.
- B.** Pull fixture leads up through the swivel ball then thread down onto the pendant. Tighten swivel ball set screw to secure.

STEP 2: Attach the swivel fixture hanger to the recessed 4" octagonal junction box.

STEP 3: Slide the canopy cover down over the swivel ball & pendant until it comes to rest on top of the cylinder. See FIG B.6.3.

STEP 4: Anchor the cylinder via the swivel ball onto the swivel hanger bracket: See FIG B.6.3.

- A.** Align swivel ball groove with swivel hanger bracket tab.
- B.** Route the swivel ball through the opening in the side of the swivel hanger bracket and drop into the center cradle.

NOTE: The groove in the swivel ball must align and engage with swivel hanger bracket tab.

STEP 5: Make all electrical terminations within 4" octagonal junction box. See D. WIRING DIAGRAM on page 3.

STEP 6: Lift canopy cover up to the swivel hanger bracket then secure with cover tabs. See FIG B.6.4.

NOTE: Slots in canopy cover must engage the cover tabs.

LED CYLINDERS – PENDANT | POWER CORD

INSTALLATION INSTRUCTIONS

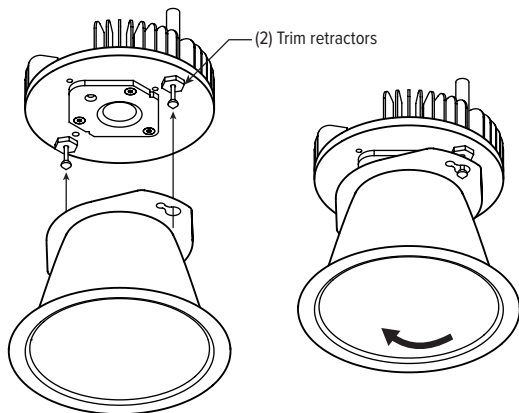
C. TrimLock® INSTALLATION

FOR USE WITH 6CR AND 8CR

- A. Align reflector with keyhole slots, then twist reflector
See FIG C.6.1.

NOTE: The trim housing (see FIG C.6.3.) has alignment features that will guide the reflector

FIG C.6.1



- B. Pull reflector downward until audible click is heard, then release. See FIG C.6.2. – FIG C.6.3.

FIG C.6.2

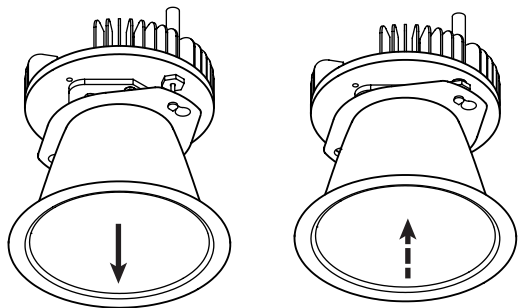
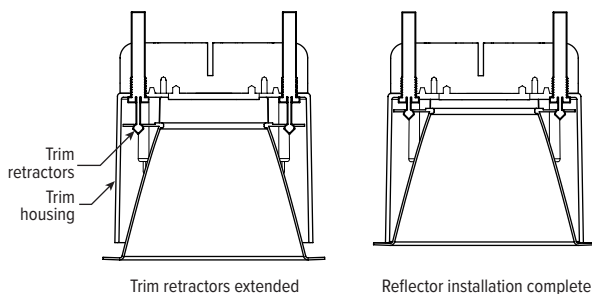


FIG C.6.3



- C. For reflector removal, work the process in reverse

D. WIRING DIAGRAM

