

LED CYLINDERS – CABLE MOUNT

INSTALLATION INSTRUCTIONS



WARNING:

- This product must be installed in accordance with the applicable installation code by a person familiar with the construction and operation of the product and the hazards involved.
- Make sure all electrical power is turned off while installing the fixture.
- This luminaire must be adequately grounded for protection against shock hazards and to assure proper operation.
- Disconnect power before servicing.
- LEDs are ESD (Electro Static Discharge) sensitive devices that can be easily damaged if the proper ESD mitigating steps are not taken.
- LEDs are very sensitive to mechanical damage. Caution must be taken to avoid damage to the LEDs.
- ESD or mechanical damage voids all warranties.

FOR USE WITH:

- 4CR
- 4CS
- 6CR
- 6CRDI
- 8CR
- 8CRDI

TABLE OF CONTENTS

A. STANDARD MONO-POINT INSTALLATION	1	D. TrimLock® INSTALLATION	4
B. DUAL CABLE INSTALLATION	2	E. WIRING DIAGRAM	4
C. Y-CABLE INSTALLATION.....	3		

A. STANDARD MONO-POINT INSTALLATION

FOR USE WITH: 4CR, 6CR, AND 8CR

FIG A.0.1 Bracket Bar Assembly

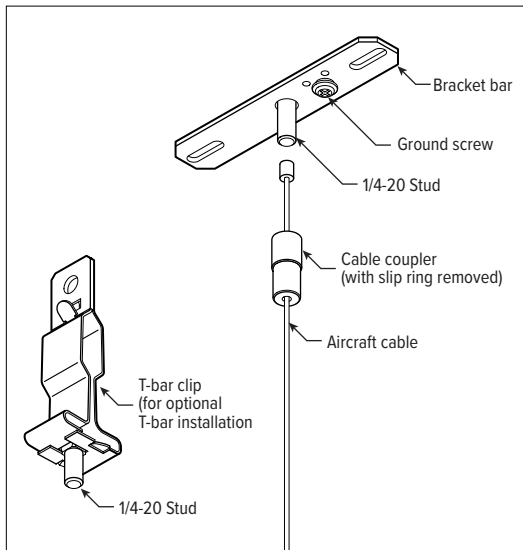


FIG A.0.2 Attach Mounting Hardware

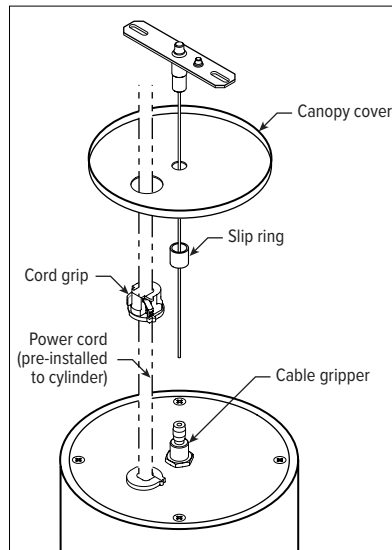
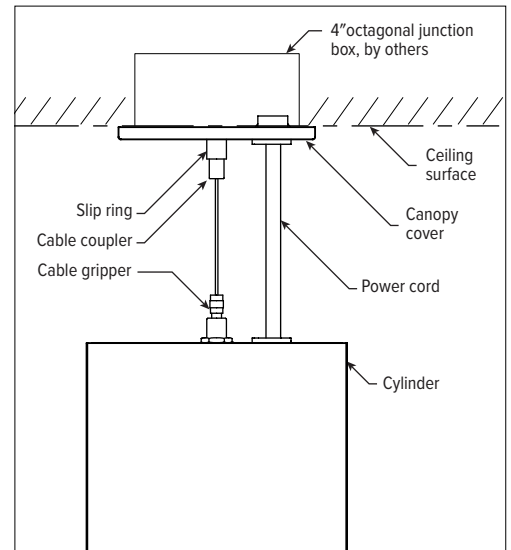


FIG A.0.3



STEP 1: Assemble bracket bar. See FIG A.0.1.

- A. Attach the bracket bar to the recessed junction box.
- B. Remove the slip ring from the cable coupler then use the cable coupler to anchor the aircraft cable to the 1/4-20 stud.

STEP 2: Attach mounting hardware to fixture. See FIG A.0.2.

- A. Route the aircraft cable through both the canopy cover and slip ring; then, terminate to the cable gripper on top of the cylinder so that it is supported.
- B. Connect the power cord from the cylinder to the canopy cover using the cord grip.

STEP 3: Make electrical connections
See E. WIRING DIAGRAM on page 4.

- A. Make all terminations between the power cord and the corresponding leads within the junction box.
- B. Attach the canopy cover to the junction box by threading the slip ring onto the cable gripper.

STEP 4: Make any desired height adjustments to the aircraft cable length by using the cable gripper.

STEP 5: (Optional) use wire ties provided to tether the power cord to the aircraft cable.

LED CYLINDERS – CABLE MOUNT

INSTALLATION INSTRUCTIONS

B. DUAL CABLE INSTALLATION

FOR USE WITH: 4CS

FIG B.5.1 Mounting Plate Assembly

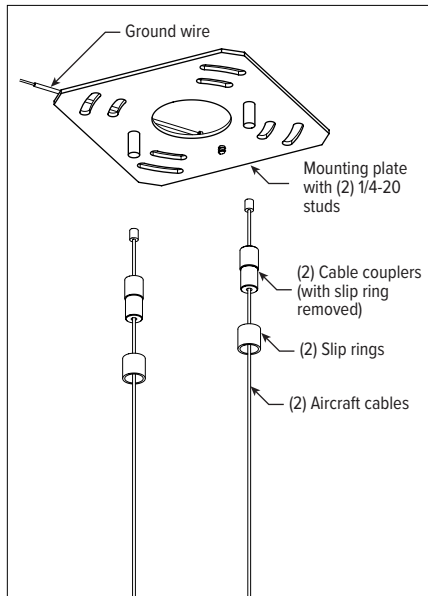


FIG B.5.2 Attach Mounting Hardware

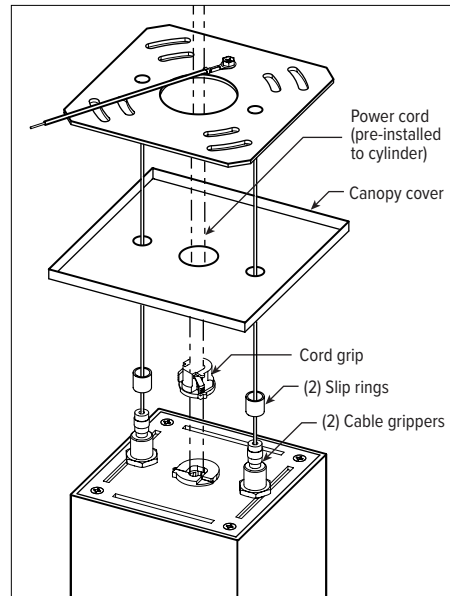
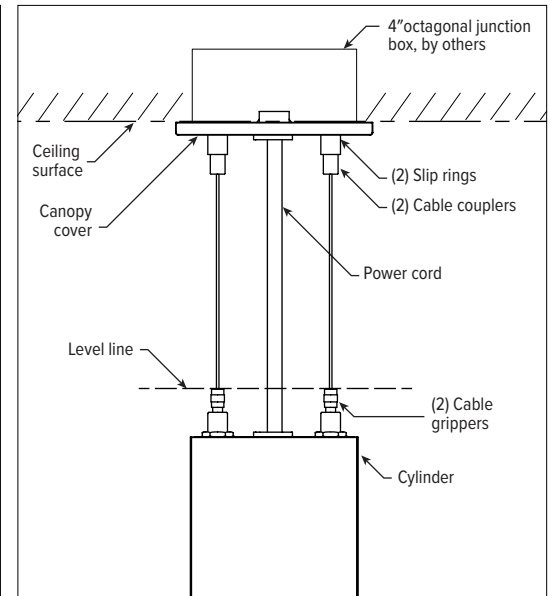


FIG B.5.3



STEP 1: Assemble mounting plate. See FIG B.5.1.

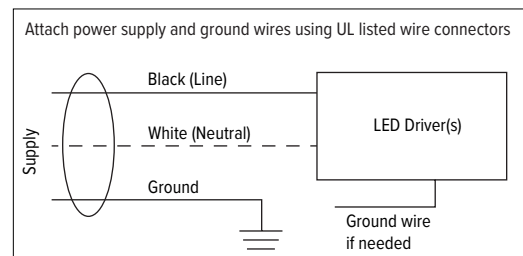
- A. Attach the dual cable mounting plate to the recessed junction box.
- B. Remove the slip rings from the cable couplers then use the cable couplers to anchor the aircraft cables to the 1/4-20 studs.

STEP 2: Attach mounting hardware to fixture. See FIG B.5.2.

- A. Route the aircraft cables through both the canopy covers and slip rings; then, terminate to the cable grippers on top of the cylinder so that it is supported.
- B. Connect the power cord from the cylinder to the canopy cover using the cord grip.

STEP 3: Make electrical connections

FIG B.3.1 Wiring Diagram



- A. Make all terminations between the power cord and the corresponding leads within the junction box.
- B. Attach the canopy cover to the junction box by threading the slip ring onto the cable gripper.

STEP 4: Level the fixture by using the cable grippers to make any desired height adjustments to the aircraft cable length.

NOTE: Ensure the cable grippers are aligned along a level line. See FIG B.5.3.

STEP 5: (Optional) use wire ties provided to tether the power cord to the aircraft cable.

LED CYLINDERS – CABLE MOUNT

INSTALLATION INSTRUCTIONS

C. Y-CABLE INSTALLATION

FOR USE WITH: 6CRDI AND 8CRDI

FIG C.5.1 Bracket Bar Assembly

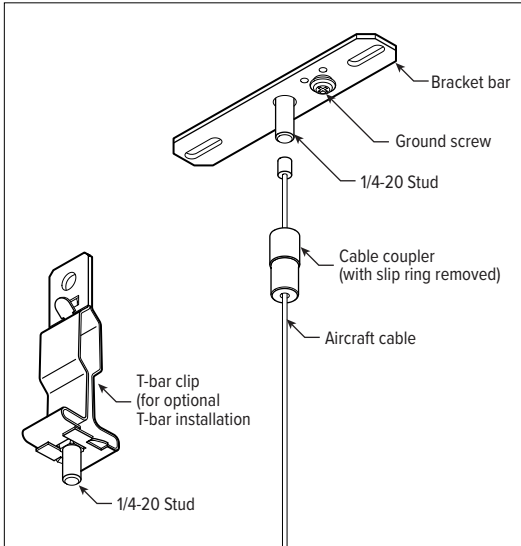


FIG C.5.2 Attach Mounting Hardware

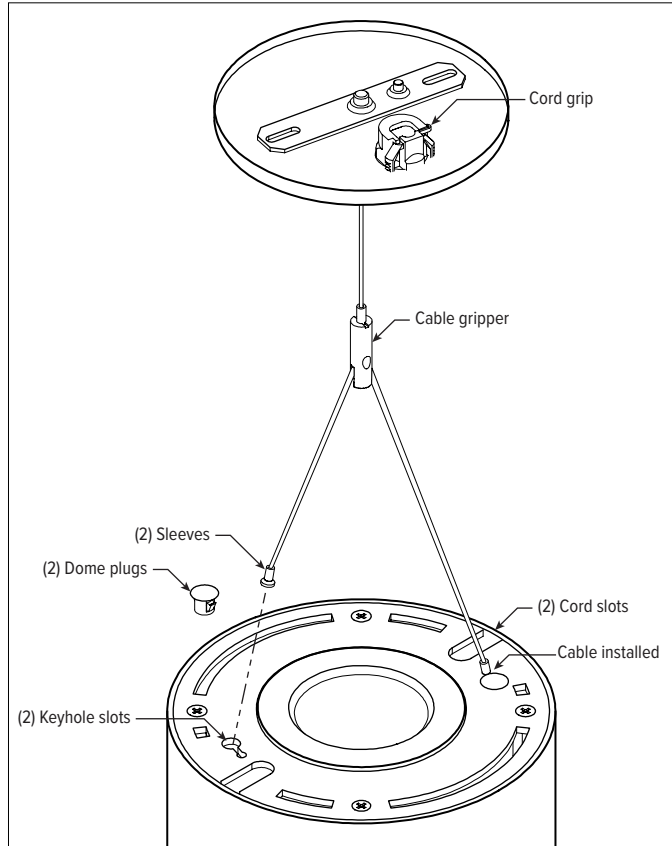
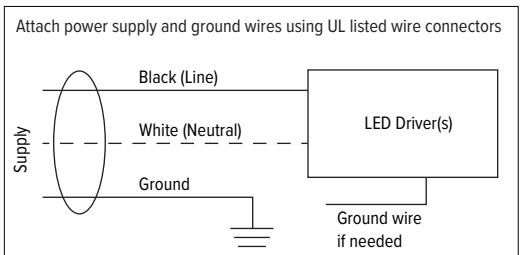


FIG C.5.3 Wiring Diagram



NOTE: Power cord not shown for y-cable clarity

STEP 1: Assemble bracket bar. See FIG C.5.1.

- A. Attach the bracket bar to the recessed junction box.
- B. Remove the slip ring from the cable coupler then use the cable coupler to anchor the aircraft cable to the 1/4-20 stud.

STEP 2: Attach mounting hardware to fixture. See FIG C.5.2.

- A. Route the aircraft cable through both the canopy cover and slip ring; then, route to the cable gripper.
- B. Attach both y-cable anchor sleeves to cylinder:
 - Insert sleeve through major diameter of keyhole slot then shift over to opposite end
 - Insert dome plug to prevent the sleeve from shifting back
- C. Connect the power cord from the cylinder to the canopy cover using the cord grip.

STEP 3: Make electrical connections. See FIG C.5.3.

- A. Make all terminations between the power cord and the corresponding leads within the junction box.
- B. Attach the canopy cover to the junction box by threading the slip ring onto the cable gripper.

STEP 4: Make any desired height adjustments to the aircraft cable length by using the cable gripper.

STEP 5: (Optional) use wire ties provided to tether the power cord to the aircraft cable.

LED CYLINDERS – CABLE MOUNT

INSTALLATION INSTRUCTIONS

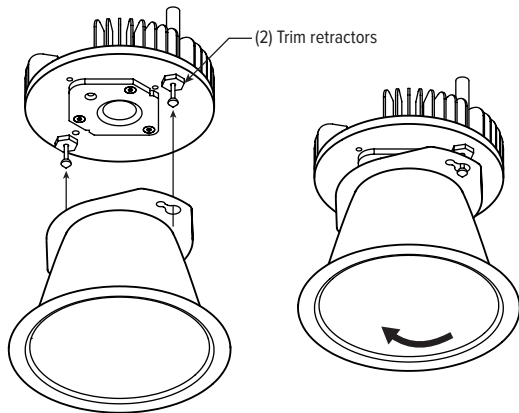
D. TrimLock® INSTALLATION

FOR USE WITH 6CR, 6CRDI, 8CR, 8CRDI

- A. Align reflector with keyhole slots, then twist reflector
See FIG D.5.1.

NOTE: The trim housing (see FIG D.5.3.) has alignment features that will guide the reflector

FIG D.5.1



- B. Pull reflector downward until audible click is heard, then release. See FIG D.5.2. – FIG D.5.3.

FIG D.5.2

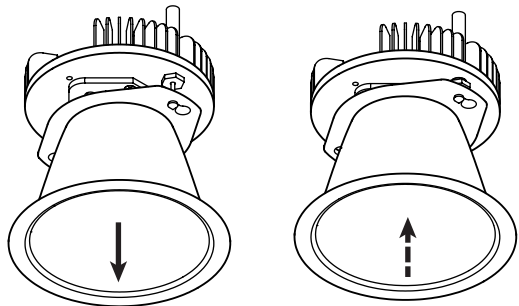
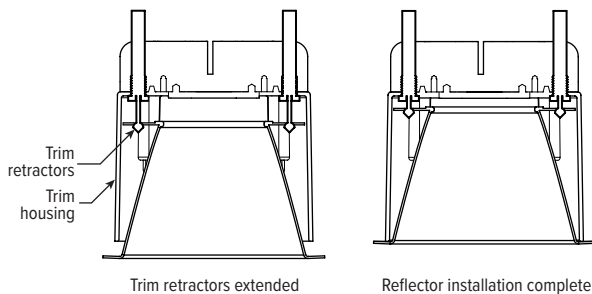


FIG D.5.3



- C. For reflector removal, work the process in reverse

E. WIRING DIAGRAM

