

# LRXF SERIES

## INSTALLATION INSTRUCTIONS



### WARNING:

- This product must be installed in accordance with the applicable installation code by a person familiar with the construction and operation of the product and the hazards involved.
- Make sure all electrical power is turned off while installing the fixture.
- This luminaire must be adequately grounded for protection against shock hazards and to assure proper operation.
- Disconnect power before servicing.
- LEDs are ESD (Electro Static Discharge) sensitive devices that can be easily damaged if the proper ESD mitigating steps are not taken.
- LEDs are very sensitive to mechanical damage. Caution must be taken to avoid damage to the LEDs.
- ESD or mechanical damage voids all warranties.

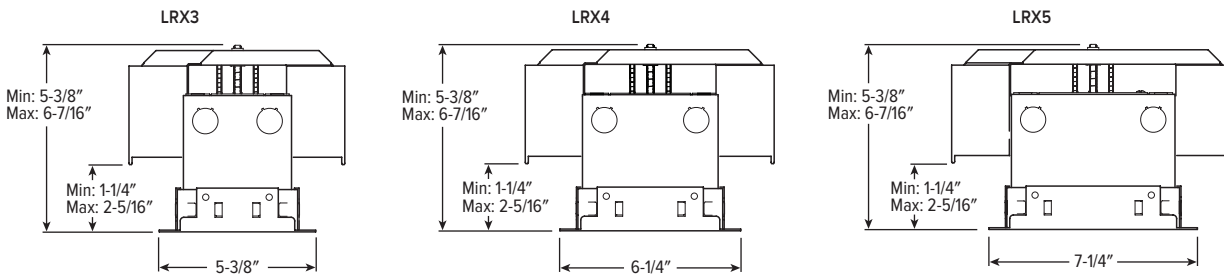
### FOR USE WITH:

- LRX3F
- LRX4F
- LRX5F

### TABLE OF CONTENTS

CROSS SECTIONS.....	1	B. CONTINUOUS ROW FIXTURE MOUNTING.....	3
A. STAND-ALONE FIXTURE INSTALLATION.....	1		

### CROSS SECTIONS



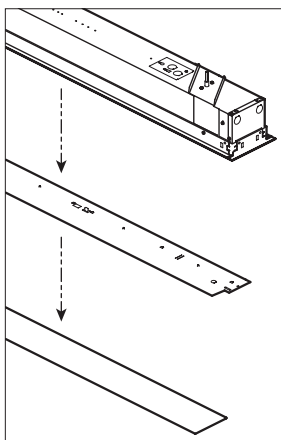
RECOMMENDED CEILING OPENING			
	LRX3	LRX4	LRX5
2'	4-5/8" x 24"	5-5/8" x 24"	6-5/8" x 24"
4'	4-5/8" x 48"	5-5/8" x 48"	6-5/8" x 48"
6'	4-5/8" x 72"	5-5/8" x 72"	6-5/8" x 72"
8'	4-5/8" x 96"	5-5/8" x 96"	6-5/8" x 96"

For continuous row mounting, add 24" for each additional 2' of row length

### A. STAND-ALONE FIXTURE INSTALLATION

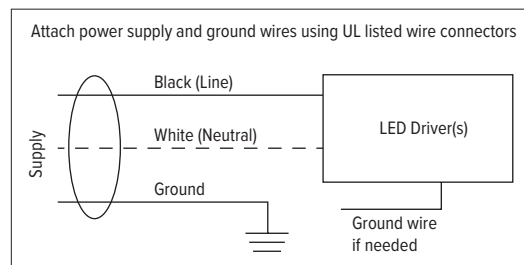
**STEP 1:** Remove lens and internal wireway cover to expose electrical components.

FIG A.1.1



**STEP 2:** Remove access plate on the back of the stand-alone or feeder fixture. Remove driver supply wires and make electrical connections in accordance with local codes (ground screw provided on access plate). Re-install access plate.

FIG A.2.1



**NOTE:** Please consult factory for other driver configurations or emergency driver wiring diagrams.

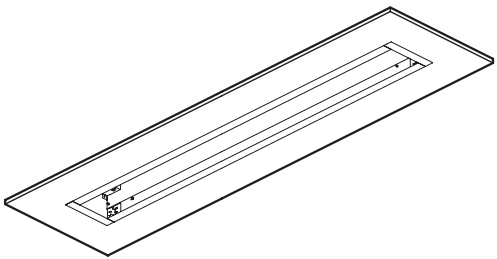
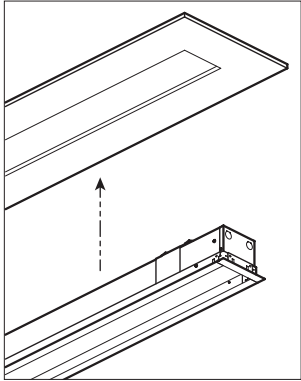
CONTINUED ON PAGE 2

# LRXF SERIES

## INSTALLATION INSTRUCTIONS

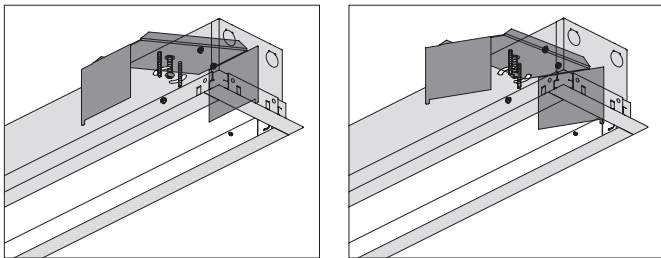
**STEP 3:** Verify that the swing-out brackets are collapsed, setting against the fixture housing. Lift fixture into prepared ceiling opening.

FIG A.3.1



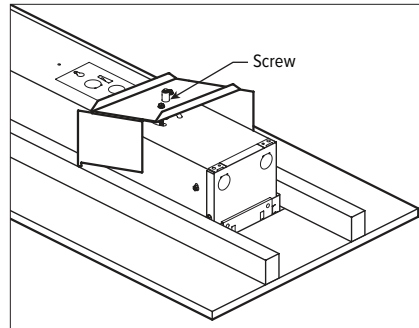
**STEP 4:** Locate swing-out arm handles inside fixture. Use handles to push swing-out bracket up and rotate so that swing-out bracket rests on ceiling support structure (when engaged correctly, fixture will hang slightly below ceiling plane).

FIG A.4.1



**STEP 5:** While keeping swing-out bracket rotation engaged, tighten screw located between handles inside fixture. As this screw is tightened, the swing-out bracket will clamp onto ceiling support structure and lift the fixture into place, flush with the ceiling plane.

FIG A.5.1



**STEP 6:** Re-install internal wireway cover and lens.

# LRXF SERIES

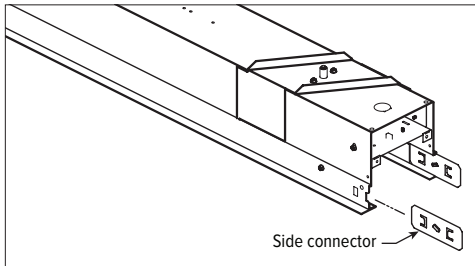
## INSTALLATION INSTRUCTIONS

### B. CONTINUOUS ROW FIXTURE MOUNTING

**STEP 1:** Repeat steps 1-2 from stand-alone fixture installation instruction for first fixture in row mount application. See page 1.

**STEP 2:** Insert side connectors in drywall flange extrusions on fixture (1 per side). When installed correctly, connectors will snap into place.

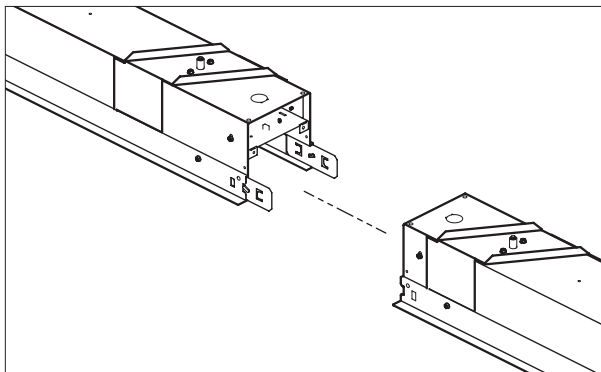
FIG B.2.1



**STEP 3:** Install next fixture in row mount application (joiner fixture or ender fixture).

- A. Make electrical connections between fixtures with quick connect wiring harness.
- B. Butt fixtures together, allowing side connector extending from the first fixture to snap into the open extrusion of the next fixture. See FIG B.3.1
- C. Repeat this step for each additional fixture in row.

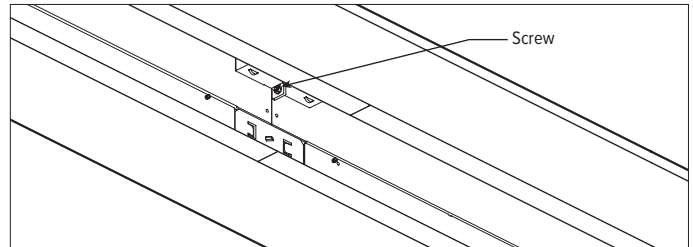
FIG B.3.1



**STEP 4:** Repeat steps 3-5 from stand-alone fixture installation instructions to complete row installation.

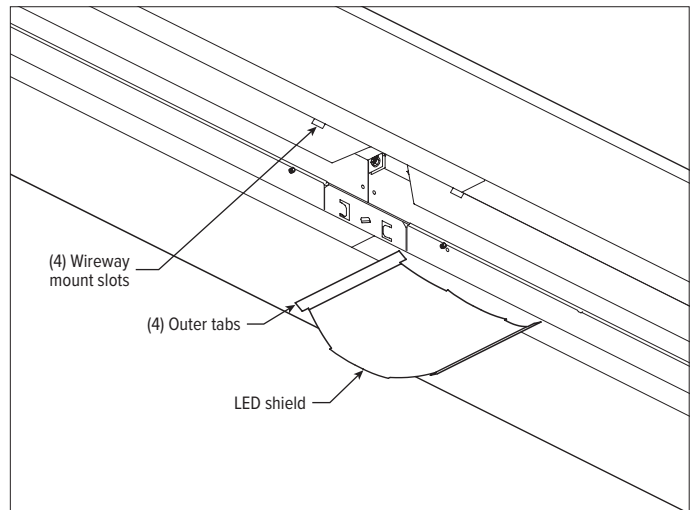
**STEP 5:** Use provided screws to fasten fixtures together at intersections (2 screws per intersection). Re-install internal wireway covers.

FIG B.5.1



**STEP 6:** To prevent light leak, install LED shield at fixture intersection(s) by snapping (4) outer tabs into (4) wireway cover mount slots at all fixture intersections.

FIG B.6.1



**STEP 7:** Re-install lenses.