

WARNING:

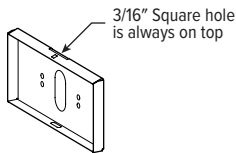
- This product must be installed in accordance with the applicable installation code by a person familiar with the construction and operation of the product and the hazards involved.
- Make sure all electrical power is turned off while installing the fixture.
- This luminaire must be adequately grounded for protection against shock hazards and to assure proper operation.
- Disconnect power before servicing.
- LEDs are ESD (Electro Static Discharge) sensitive devices that can be easily damaged if the proper ESD mitigating steps are not taken.
- LEDs are very sensitive to mechanical damage. Caution must be taken to avoid damage to the LEDs.
- ESD or mechanical damage voids all warranties.
- Suitable for dry and damp locations.

TABLE OF CONTENTS

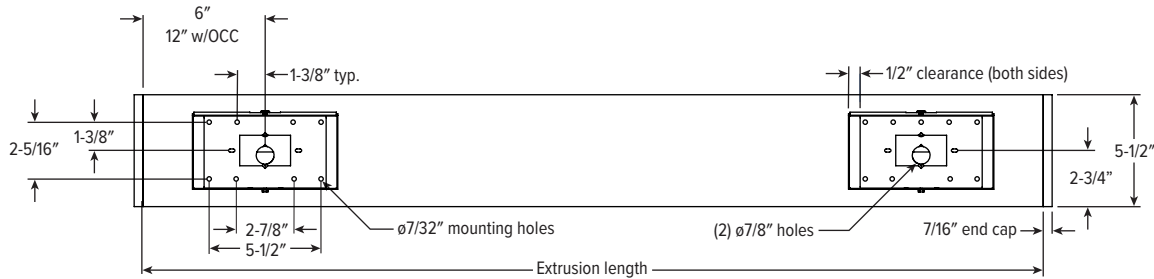
STAND-ALONE ASSEMBLY.....	1	ASY OPTION INSTALLATION.....	5
ROW ASSEMBLY.....	3	WIRING DIAGRAM.....	5

STAND-ALONE ASSEMBLY (See page 3 for Row Assembly)

STEP 1: Install (2) mounting brackets onto one extrusion with (4) 10-24 x 3/8" screws and nut provided.



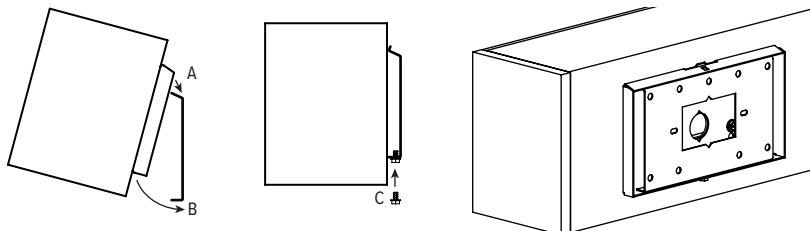
STEP 2: Install wall brackets on wall, spaced to align with mounting brackets. Mounting brackets are 6" from ends of extrusions; 12" from ends of extrusions with occupancy sensor option. Sensor will be at right end of fixture, when facing wall.



STEP 3: Mount extrusion to the wall.

- Hook the top of the mounting bracket over the top of the wall bracket.
- Swing the extrusion down engaging the mounting bracket under the wall bracket.
- Install #8 x 1/4" sheet metal screw supplied to secure mounting.

NOTE: The wall bracket should be entirely covered, top and bottom, by the mounting bracket.

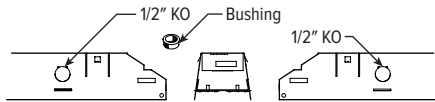


MX4WUD

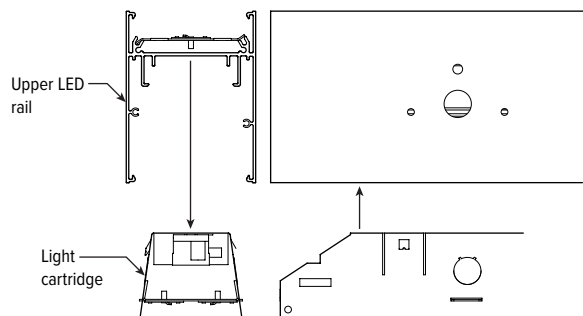
INSTALLATION INSTRUCTIONS

STEP 4: Install light cartridge.

- A. Determine the cartridge install orientation.
- B. Remove 1/2" knockout from the side closest to the power entry and install bushing. Make electrical connections according to NEC and local codes. See "WIRING DIAGRAM" on page 5.



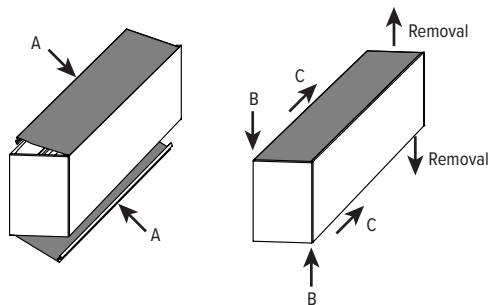
- C. Connect upper LED rail to light cartridge and push connection into the cartridge.
- D. Snap light cartridge into extrusion leaving room to connect quick-connect harnesses between cartridges. Visually check that all catches are engaged.



STEP 5: Install the lens.

- A. Insert one side of lens into one side of fixture housing.
- B. Push the corner of the opposite side of the lens into place.
- C. Continue pushing along the housing until the entire lens is installed.

NOTE: To remove lens, pry out starting with the 4" wide end.

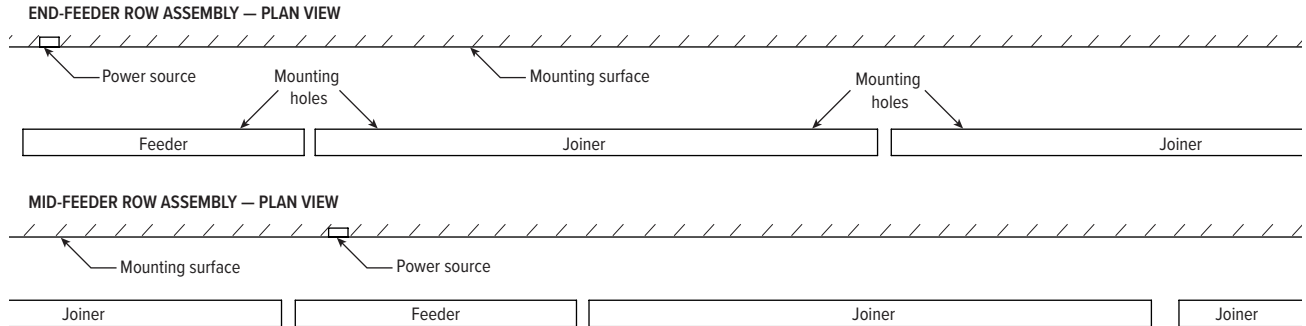


MX4WUD

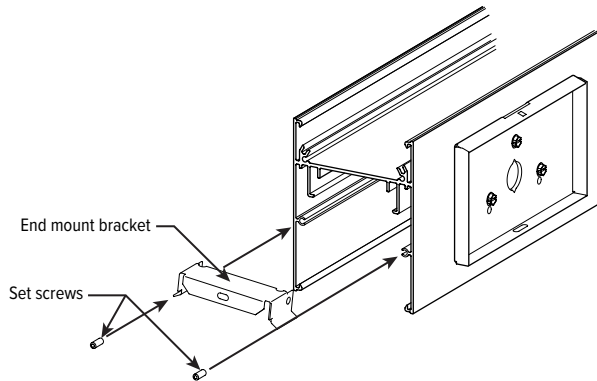
INSTALLATION INSTRUCTIONS

ROW ASSEMBLY

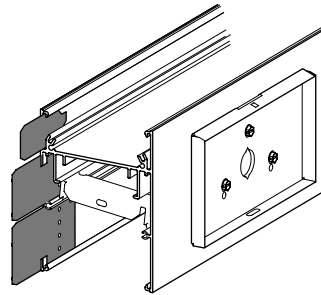
STEP 1: Layout extrusions so the mounting bracket holes are facing the mounting surface. Lay the feeder extrusion near the power source in the mounting surface.



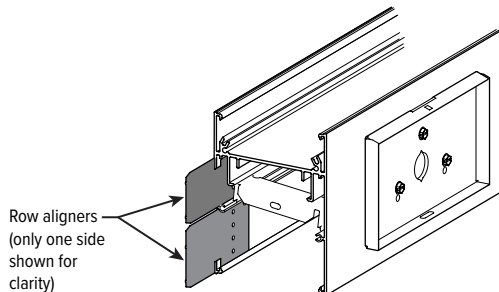
STEP 2: Slide end mount bracket onto extrusion screw slots at row joints. Drive (2) 10-24 x 1/2" set screws into screw channels so bracket cannot come out.



STEP 4: Insert light block plates into upper portion of extrusion by 1/2". Bend plates out slightly to bind into location, then insert until wide portion of plate is halfway into extrusion.



STEP 3: Bend row aligners until the 2 halves break apart, then slide into extrusion as shown. Slightly bend at perforation to bind row aligners into location.



MX4WUD

INSTALLATION INSTRUCTIONS

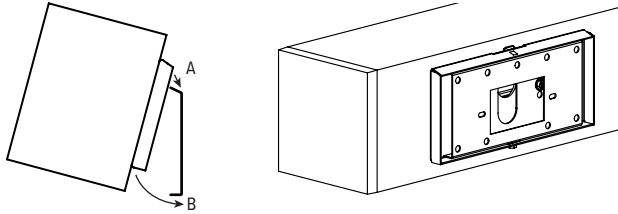
STEP 5: Install wall brackets. See stand-alone assembly step 2 (page 1).

STEP 6: Mount extrusion to wall.

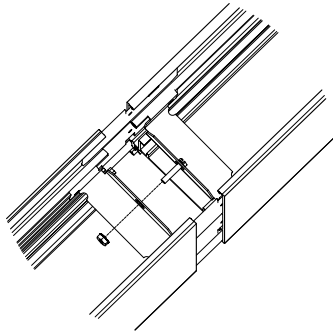
NOTE: For shorter rows, extrusions may be joined before mounting.

- A.** Mount feeder extrusion. Hook the top of the mounting bracket over the top of the wall bracket.
- B.** Swing the extrusion down engaging the mounting bracket under the wall bracket.

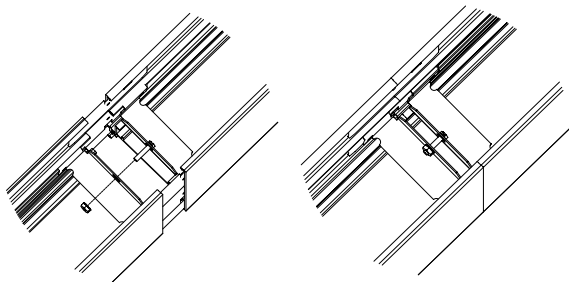
NOTE: The wall bracket should be entirely covered, top and bottom, by the mounting bracket.



C. Mount the joiner extrusion and connect row aligners using 8-32 x 3/4" cap screw and nut provided.

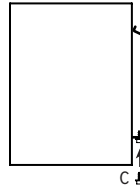


D. Continue mounting and connecting joiner extrusions until row is complete.



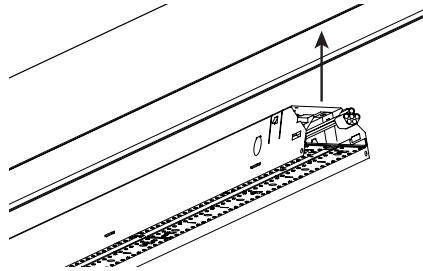
E. Install #8 x 1/4" sheet metal screws supplied into the bottom of each bracket to secure mounting. Make electrical connections according to NEC and local codes. See "WIRING DIAGRAM" on page 5.

F. Install end mount bracket with set screws, then slide endcap assembly into place and secure with 8-32 x 1/2" Phillips head screw.

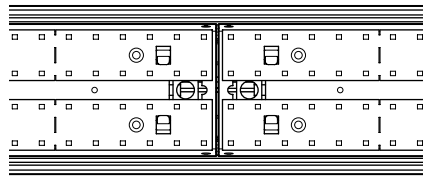
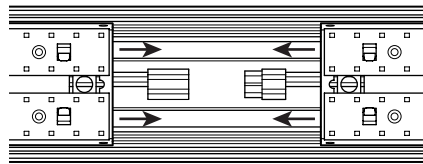


STEP 7: Install light cartridges.

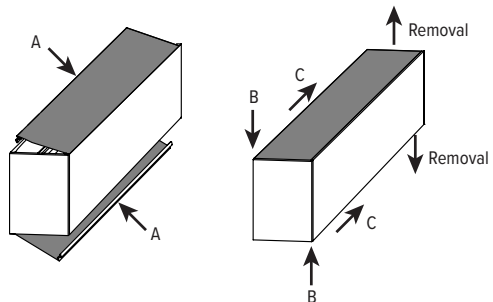
- A.** Feeder cartridge: see stand-alone steps 3-4.
- B.** Joiner cartridge: Snap light cartridges in place leaving 4" – 6" of space between units. Visually check that all catches are engaged.



C. Connect quick-connect harness(es) then slide cartridges tightly together toward end plate covering wiring harness(es). See "WIRING DIAGRAM" on page 5.



STEP 8: Install lenses. See stand-alone step 5.



MX4WUD

INSTALLATION INSTRUCTIONS

ASY OPTION INSTALLATION

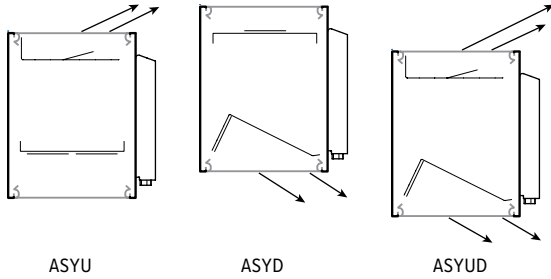
CHANGE DIRECTION OF THROW - DOWNLIGHT

- STEP 1: Remove (3) screws from reflector.
- STEP 2: Snap bracket out of channel, then rotate 180°.
- STEP 3: Snap bracket back into channel.
- STEP 4: Attach reflector to brackets using #8 flat screws.

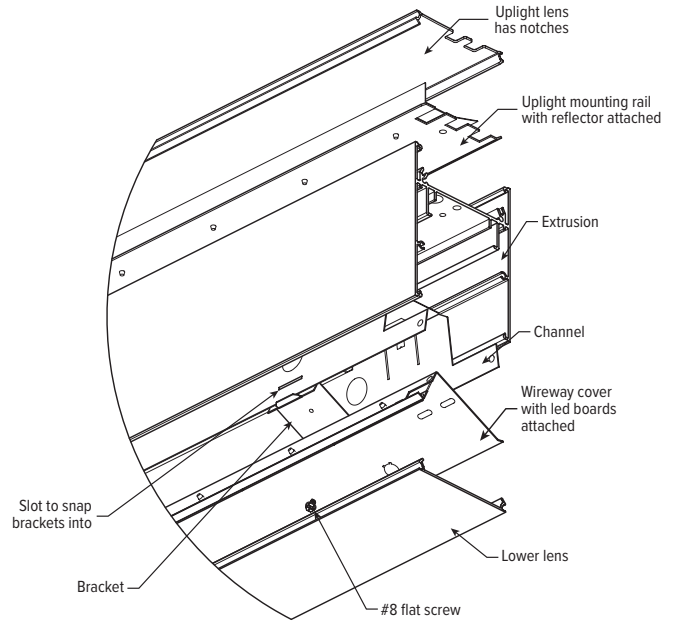
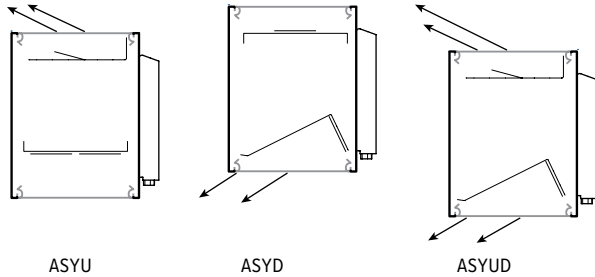
CHANGE DIRECTION OF THROW - UPLIGHT

- STEP 1: Remove screws in mounting rail. Rotate rail, reflector, and board assembly 180°.
- STEP 2: Attach mounting rail to extrusion with #8 flat screws.

DIRECTION OF THROW



REVERSED DIRECTION OF THROW



WIRING DIAGRAM

Make electrical connections in accordance with NEC and local codes.

