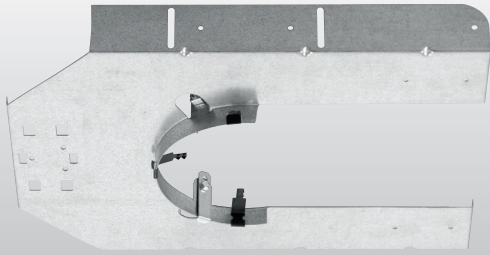


Retrofit Mounting Pan Assembly

**EXAMPLE** PV75 - 2 32T - CS - RETRO - EB1 - UNV

SERIES      NUMBER WATTAGE/ OF LAMPS TYPE      REFLECTOR FINISH      OPTIONS      BALLAST TYPE      VOLTAGE

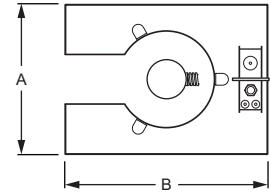


**FEATURES**

Use the Retrofit Mounting Pan (RETRO) when remodeling or replacing fixtures where there is a finished ceiling with fixed apertures. The mounting pan is cut out on one side to "hook" the assembly through an existing hole. Two sizes are available to fit a variety of reflector sizes.

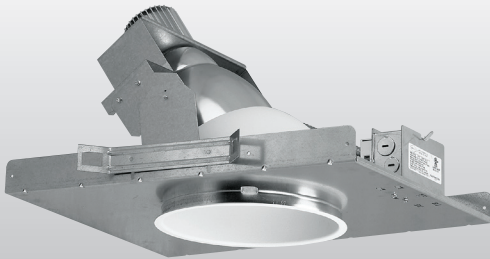
- Sturdy one-piece construction.
- 20-gauge die-formed galvanized steel.
- Easy-access, 14-gauge galvanized steel junction box with two snap-on covers.

**Note:** RETRO is not available with EM ballasts. Magnetic metal halide ballasts must be remote. Fixtures using a yoke-mount reflector require yoke to be removed from pan prior to installation and re-attached after pan placement.



Reflector Size (diameter)	Pan Size Dimensions	
	A	B
6", 7-1/2" or 8-1/2"	12"	16-1/4"
10", 12", or 13"	17"	23"

Slope Ceiling Adapter



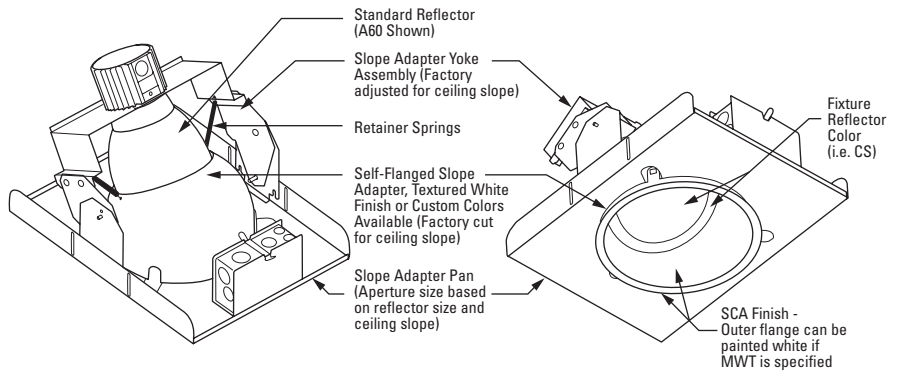
**EXAMPLE** PV75 - 2 32T - CS - SCA25 / W - EB1 - UNV

SERIES      NUMBER WATTAGE/ OF LAMPS TYPE      REFLECTOR FINISH      OPTIONS      SCA FINISH      BALLAST TYPE      VOLTAGE

**DESCRIPTION**

Slope Ceiling Adapters are available for Williams recessed downlights when "SCA" option is specified. Spun aluminum Slope Ceiling Adapters are available in increments of 5 degrees from 5°-30°. SCA increases fixture height, see table for details.

**DETAILS**



**DIMENSIONS**

Catalog	Reflector Size (dia.)	Pan Size	Ceiling Cutout	Standard Fixture Height (A)	Height Increase at Center Line (B)
SCA60	6"	12" x 16-1/4"	9-1/8"	Refer to fixture specification sheet	3-3/8"
SCA75	7-1/2"	17" x 23"	10-5/8"		4-5/8"
SCA85	8-1/2"	17" x 23"	12-1/2"		5-3/8"
SCA10	10"	17" x 23"	13-3/4"		5-1/2"

