

CATALOG #: _____

TYPE: _____

PROJECT: _____

NEW CONSTRUCTION AND REMODEL

FEATURES

- Dim to warm from 1800K to 3000K CCT, minimum 95 C
- 2" aperture is unobtrusive in small scale spaces
- Adjustable aim with 0° - 45° tilt and 360° rotation
- Zero-flange trim options for modern ceiling
- Die cast trim choices include flush or regressed lens

SPECIFICATIONS

- **HOUSING** – Die-cast aluminum spun and stamped articulating mechanism with forged aluminum heat sink. Galvanized steel splice compartment with driver mounting plate/enclosure. Mounting clips allow for ceiling thickness from 1/2" – 13/16".
- **LENSED TRIM** – Die-cast aluminum frame with micro-prismatic, tempered glass lens.
- **ELECTRICAL** – High-performance Class 2 C.O.B. LED array. Modular quick-connect plug for easy field-connection of LED light assembly to driver. Reported L70>55,000 hours. Reported L90>55,000 hours. Estimated L70 = 200,000 hours.
- **MOUNTING** – Recessed. 20 ga. galvanized steel mounting pan for new construction or IC-rated enclosure. N and R mounting types for use in non-fire rated installations only. Minimum 13-1/4" O.C. marked spacing required when specified with R Mounting Type.
- **LISTINGS** –
 - cCSAus conforms to UL STD 1598; Certified to CAN/CSA STD C22.2 No. 250.0 for damp locations. LED light assembly conforms to UL 2108 for remote installation.
 - Suitable for wet location under covered ceiling when specified with WET/CC option.
 - IC-rated for direct contact with insulation when specified with I Mounting Type.
 - City of Chicago Environmental Air approved when specified with CP option.
 - Complies with ASTM-E283 when specified with ATH option.
 - RoHS compliant.
- **WARRANTY** – 5-year limited warranty, see hew.com/warranty.

ORDERING EXAMPLE: 2AS - L7/9DW - OPTIONS - DIM - UNV - LW - OF - CS - TRIM OPTIONS - N - F1

HOUSING

SERIES	LUMENS ^[1]	COLOR	OPTIONS	CONTROL	VOLTAGE
2AS	L5 500lm L7 700lm	9DW Dim to warm (95 CRI, 1800K – 3000K)	EM/5W 5-watt emergency battery ^[2] EM/7W 7-watt emergency battery ^[3] EM/10W 10-watt emergency battery ^[4] EM/10W/RTS 10-watt emergency battery with regressed test switch ^[5] ATH Airtight construction F Fuse CP Chicago plenum (CCEA) ^[6] SDT Stepdown transformer ^[7]	DIM Dimming driver, 0-10V LUT Lutron Ecosystem enabled	UNV 120-277V 347 347V ^[8]

TRIM^[9]

TRIM TYPE	DISTRIBUTION ^[10]	FLANGE TYPE	REFLECTOR FINISH	TRIM OPTIONS
L Flush lens	W 40° Wide	OF 1/2" standard flange	CS Clear semi-specular powder coat	AD Diffuse acrylic lens ^[13] PD Diffuse 1/8" polycarbonate lens
R Regressed lens	M 30° Medium N 20° Narrow ^[11]	ZF Zero-flange mud-in ^[12]	WH White texture powder coat BL Black texture powder coat	WET/CC Wet location, covered ceiling listed AM Anti-microbial ^[14]

MOUNTING

MOUNTING TYPE^[15]

- N Open pan for new construction^[17]
- I IC-rated enclosure for new construction^[18]
- R Remodel kit^[19]

MOUNTING HARDWARE^[16]

- F1 Integral 2-position fixed pan bracket, universal bar hanger included^[20]
- BA1 Adjustable butterfly pan bracket, bar hanger not included^[21]
- CA1 Adjustable caterpillar pan bracket, universal bar hanger included^[22]

NOTES

- Lumen output based on L trim type, W distribution and WH finish, 3000K/95 CRI. Actual lumens may vary +/-5%, see page 2 for FIXTURE PERFORMANCE DATA
- N and R Mounting Types only.
- N and R Mounting Types only.
- N and R Mounting Types only.
- Not available with WET/CC or ATH options. N Mounting Type only. Top access required. See page 4 for EM BATTERY DETAILS.
- I Mounting Type required.
- May be required for 347V, see product builder at hew.com/product-builder
- Not available with EM batteries or DMX controls.
- Trim ships separately.
- Beam angle based on L Trim Type and WH Reflector Finish. Trim Type affects beam angle. See page 2 for FIXTURE PERFORMANCE DATA.
- L5 lumen package max.
- For use with mud-in plaster construction only, supplied with mud flange installation kit. See page 3 for TRIM TYPE DETAILS. Not available with ATH or WET/CC options.
- W distribution only.
- WH and BL Reflector Finishes only.
- Mounting hardware required (N and I only), ordered separately, see MOUNTING HARDWARE ordering info. See page 3 for MOUNTING TYPE DETAILS.
- Additional mounting hardware options available. See page 4 for MOUNTING HARDWARE DETAILS.
- Top access required for driver maintenance.
- L5 lumen package max. Top access required for driver maintenance.
- Also used in new construction sheetrock ceilings. Not available when specified with LUT Control. Additional plenum space required for R mounting when specified with EM battery. See page 4 for EM BATTERY DETAILS.
- N and I Mounting Types only. I Mounting requires external brackets
- N Mounting Type only
- N Mounting Type only

2AS dim to WARM

2" Adjustable Downlight – Square

FIXTURE PERFORMANCE DATA

	CCT AT 100% (FULL OUTPUT)	CCT AT 1% (FULL DIM)	DISTRIBUTION	WATTAGE	FLUSH LENS TRIM TYPE		REGRESSED LENS TRIM TYPE	
					DELIVERED LUMENS	EFFICACY (lm/W)	DELIVERED LUMENS	EFFICACY (lm/W)
L5	3000K	1800K	W	15.1	528	35	532	35
			M	15.1	463	31	456	30
			N	15.1	457	30	457	30
L7			W	23.8	766	32	771	32
			M	23.8	700	29	690	29
			N	-	-	-	-	-

- Photometrics tested in accordance with IESNA LM-79. Results shown are based on 25°C ambient temperature.
- Wattage shown is based on 120V input.
- Results based on 3000K/95 CRI, actual lumens may vary +/-5%
- Beam angle based on L Trim Type and WH Reflector Finish.
- Use multiplier tables to calculate additional options.

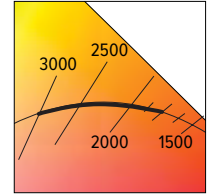
MULTIPLIER TABLES

REFLECTOR FINISH	
CATALOG NUMBER	CONVERSION FACTOR
WH	1.00
CS	0.98
BL	0.79

TRIM OPTIONS	
CATALOG NUMBER	CONVERSION FACTOR
AD	0.85
PD	0.85

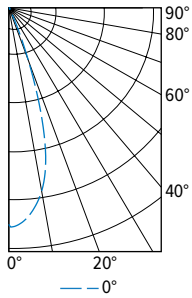
BEAM ANGLE

	TRIM TYPE	
	FLUSH	REGRESSED
W	40°	40°
M	30°	30°
N	20°	20°



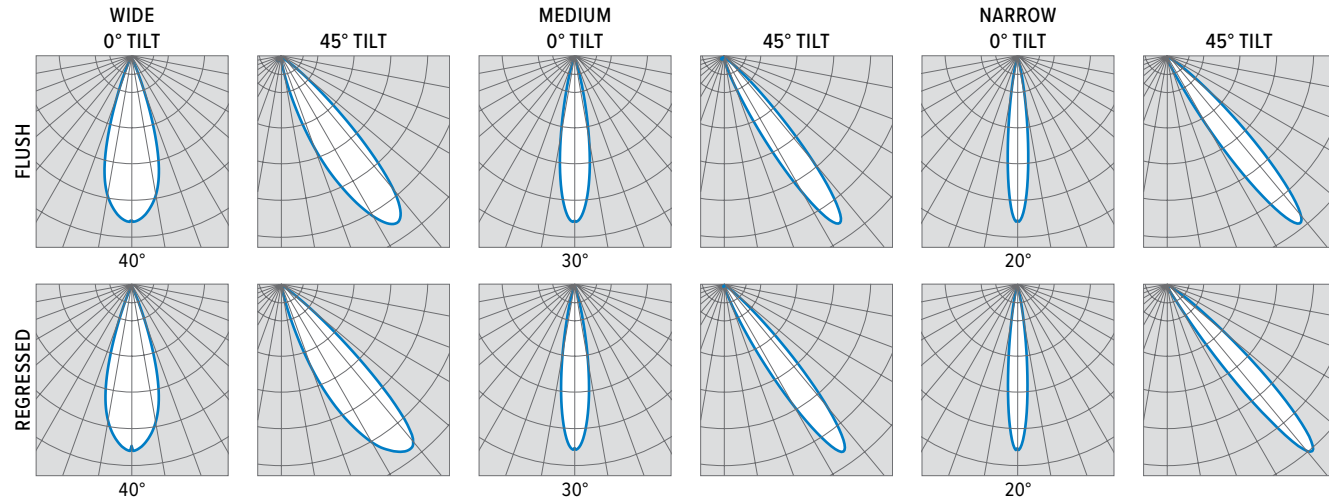
PHOTOMETRY

2AS-L7/9DW-DIM-UNV-LW-OF-WH 0° TILT Total Luminaire Output: 766 lumens; 23.8 Watts | Efficacy: 32 lm/W | 95 CRI; 3000K CCT



CANDLEPOWER DISTRIBUTION	VERTICAL ANGLE	HORIZONTAL ANGLE	ZONAL LUMENS
		0°	
	0	2243	
	5	2293	197
	15	1260	360
	25	431	190
	35	16	13
	45	2	4
	55	1	1
	65	1	0
	75	0	0
	85	0	0
	90	0	0

LUMEN SUMMARY	ZONE	LUMENS	% FIXTURE
	0 - 40	760	99
	0 - 60	765	100
	0 - 90	766	100
	0-180	766	100

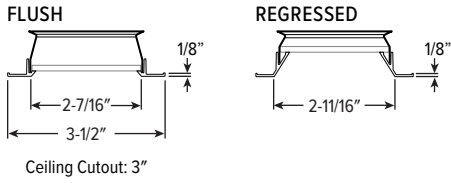


2AS dim to WARM

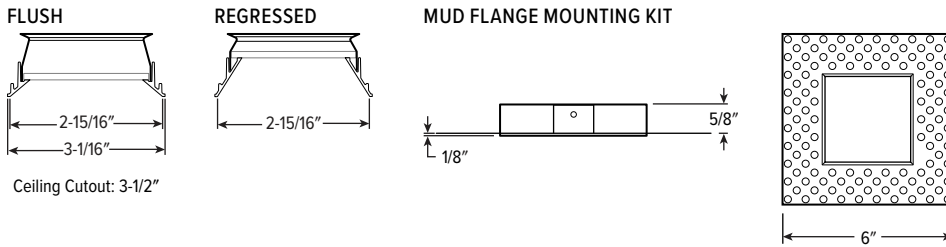
2" Adjustable Downlight – Square

TRIM TYPE DETAILS

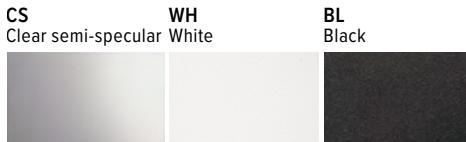
1/2" STANDARD FLANGE TYPE



ZERO-FLANGE MUD-IN

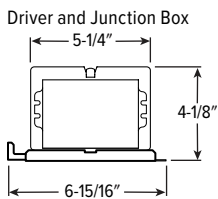
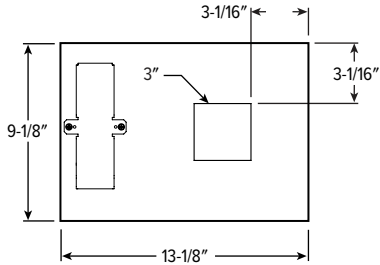


REFLECTOR FINISH DETAILS

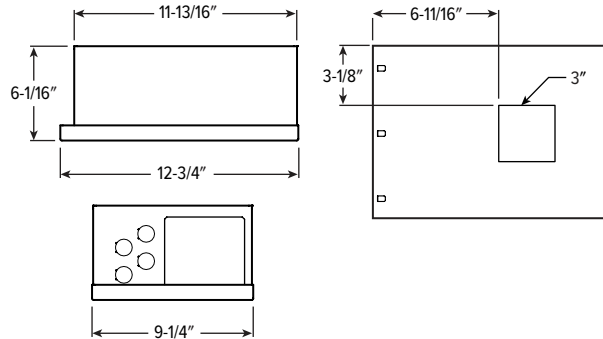


MOUNTING TYPE DETAILS

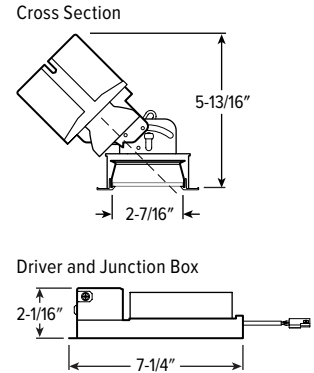
NEW CONSTRUCTION



IC-RATED



REMODEL



2AS dim to **WARM** 2" Adjustable Downlight – Square

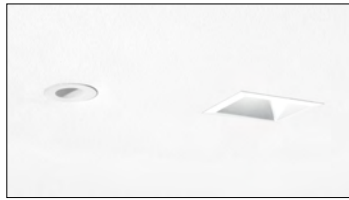
EM BATTERY DETAILS

REMODEL MOUNTING

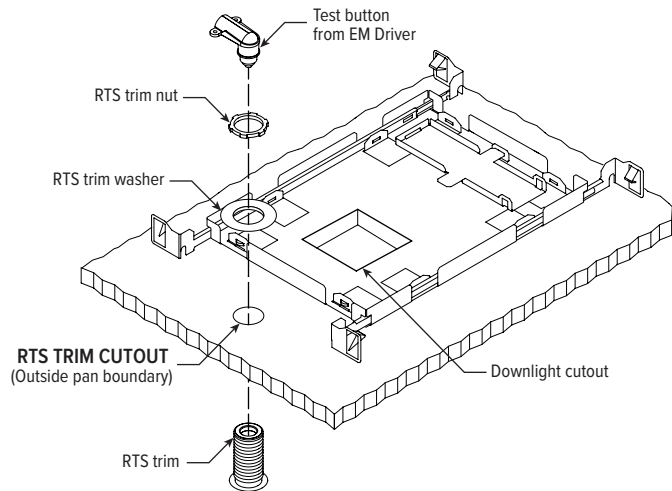
Additional plenum space required for R mounting when specified with EM battery.

PLENUM RESTRICTIONS	
CATALOG NUMBER	MINIMUM HEIGHT
EM/5W	7"
EM/7W	9"
EM/10W	11"

EM/10W/RTS MOUNTING

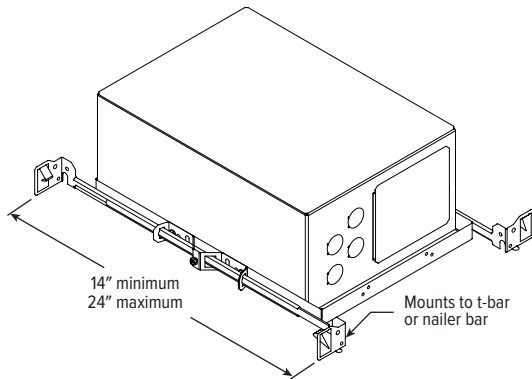
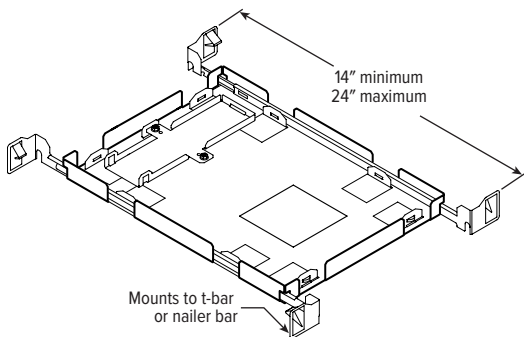


Shown Installed



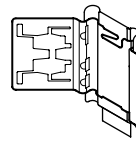
MOUNTING HARDWARE DETAILS

F1 Integral 2-position fixed pan bracket, universal bar hanger included

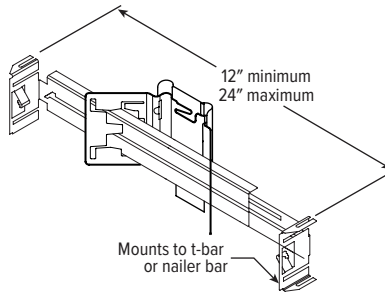


F1 with I Mounting Type

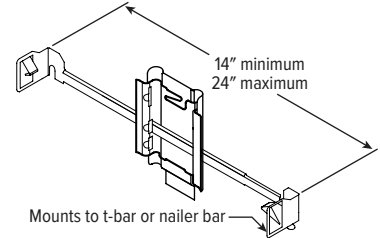
BA1 Adjustable butterfly pan bracket, bar hanger not included (N Mounting Type only)



BA2 Adjustable butterfly pan bracket, heavy-duty universal bar hanger included (N Mounting Type only)



CA1 Adjustable caterpillar pan bracket, universal bar hanger included (N Mounting Type only)



CA2 Adjustable caterpillar pan bracket, t-bar hanger included (N Mounting Type only)

