

CATALOG #: _____

TYPE: _____

PROJECT: _____

NEW CONSTRUCTION AND REMODEL

FEATURES

- Create scalable, highly functioning smart buildings with Platformatics Power over Ethernet controls

SPECIFICATIONS

- **HOUSING** – Die-cast aluminum trim housing with forged aluminum heat sink. Swing-out mounting arms field adjust for ceiling thickness from 1/2" – 2-3/8".
- **OPEN REFLECTOR** – Low-iridescent anodized aluminum with top diffuser.
- **LENSED TRIM** – Die-cast aluminum frame with micro-prismatic, tempered glass lens. Diffuse acrylic lens standard with A Trim Type.
- **ELECTRICAL** – High-performance Class 2 C.O.B. LED array. Modular quick-connect plug for easy field-connection of LED light assembly to node. Reported L70>55,000 hours. Reported L90>55,000 hours. Estimated L70 = 200,000 hours. Low-voltage DC fixture, to be fed by Class 2 power supply. Tunable White products use LEDs of multiple CCTs and may produce a perceptibly different shade of white from single-CCT products at the same CCT. All CCTs are within 3 MacAdam ellipses.
- **MOUNTING** – Recessed. 20 ga. galvanized steel mounting pan for new construction or IC-rated enclosure. Minimum 12-1/2" O.C. marked spacing required for P20 and P23 static white, and P12 and P15 tunable white lumen packages when specified with R Mounting Type, and P15 static white lumen package when specified with S Distribution. Nodes cannot be mounted above hard ceilings.
- **LISTINGS** –
 - cCSAus conforms to UL STD 1598; Certified to CAN/CSA STD C22.2 No. 250.0 for damp locations. LED light assembly conforms to UL 2108 for remote installation.
 - Suitable for wet location under covered ceiling when specified with WET/CC option.
 - IC-rated for direct contact with insulation when specified with I Mounting Type.
 - City of Chicago Environmental Air approved when specified with CP option.
 - Complies with ASTM-E283 when specified with ATH option.
 - RoHS compliant.
- **WARRANTY** – 5-year limited warranty, see hew.com/warranty.

SYSTEM REQUIREMENTS

- PoE-ready luminaires are connected to building power systems through network integration and require other components for complete PoE lighting system
- For additional PoE info, see hew.com/poe
- Consult factory for design support



ORDERING EXAMPLE: 2DS - P20/835 - OPTIONS - POE PR - LW - OF - WH - TRIM OPTIONS - N - F1

HOUSING

SERIES	LUMENS ^[4]	CRI	CCT	OPTIONS	CONTROL ^[2]	
2DS	P5	500lm	8 80 ^[3]	27	2700K	ATH Airtight construction CP Chicago plenum (CCEA) ^[6] POE PR Power over Ethernet, Platformatics-ready
	P7	700lm	9 90 ^[4]	30	3000K	
	P9	900lm		35	3500K	
	P12	1,200lm		40	4000K	
	P15	1,500lm		50	5000K	
	P20	2,000lm		TW	Tunable white (90 CRI, 2700K-5000K) ^[5]	
	P23	2,300lm				

TRIM^[7]

TRIM TYPE	DISTRIBUTION ^[8]	FLANGE TYPE	REFLECTOR FINISH	TRIM OPTIONS
L Flush lens	W 50° Wide	OF 1/2" standard flange	Open trim types CS Clear semi-specular anodize	MWT Textured white trim flange ^[14]
O Open reflector	M 30° Medium	ZF Zero-flange mud-in ^[13]	SG Satin-glow anodize	AD Diffuse acrylic lens ^[15]
R Regressed lens	N 20° Narrow ^[10]		GD Gold anodize	PD Diffuse 1/8" polycarbonate lens ^[16]
A Angled lens ^[9]	S 14° Narrow spot ^[11]		CG Champagne gold anodize	WET/CC Wet location, covered ceiling listed ^[17]
	WW Wall wash ^[12]		PW Pewter anodize	AM Anti-microbial ^[18]
			SPC Clear specular anodize	
			RG Rose gold anodize	
			Lens trim types CS Clear semi-specular powder coat WH White texture powder coat BL Black texture powder coat MB Black texture splay with white flange ^[19]	

MOUNTING

MOUNTING TYPE^[20]

- N Open pan for new construction
- I IC-rated enclosure for new construction^[22]
- R Remodel kit^[23]

MOUNTING HARDWARE^[21]

- F1 Integral 2-position fixed pan bracket, universal bar hanger included^[24]
- BA1 Adjustable butterfly pan bracket, bar hanger not included^[25]
- CA1 Adjustable caterpillar pan bracket, universal bar hanger included^[26]

NOTES

- Lumen output based on L trim type, W distribution and WH finish, 3500K/80 CRI for single CCT and 4000K/90 CRI for TW. Actual lumens may vary +/-5%, see page 2 for FIXTURE PERFORMANCE DATA
- See page 5 for NODE CONNECTION DETAILS. For additional PoE info, see hew.com/poe
- Not available with tunable white.
- Extended lead times may apply for single CCT. Consult factory for availability.
- P15 lumen package max with W, M, and WW Distributions. P12 lumen package max with N Distribution. Not available with S Distribution
- I Mounting Type required.
- Trim ships separately
- Beam angle based on static white, L Trim Type and WH Reflector Finish. Trim Type affects beam angle. See page 2 for FIXTURE PERFORMANCE DATA.
- Available with WW Distribution only.
- P20 static white and P12 tunable white lumen packages max for N and R Mounting and P12 static white and P7 tunable white lumen packages max for I Mounting.
- Static white only. P15 lumen package max for N and R Mounting. P12 lumen package max for I Mounting. Not available with 950 CRI/CCT.
- A Trim Type only.
- For use with mud-in plaster construction only, supplied with mud flange installation kit. See page 4 for TRIM TYPE DETAILS. Not available with O Trim Type or ATH Option
- Not available with ZF Flange Type or WH Reflector Finish.
- W distribution only. Not available with O Trim Type.
- W distribution only. Not available with O Trim Type.
- Not available with O Trim Type.
- WH and BL Reflector Finishes only.
- R Trim Type only. Not available with ZF Flange Type or MWT.
- Mounting hardware required (N and I only), ordered separately, see MOUNTING HARDWARE ordering info. See page 5 for MOUNTING TYPE DETAILS.
- Additional mounting hardware options available. See page 5 for MOUNTING HARDWARE DETAILS.
- P15 static white and P9 tunable white lumen packages max.
- Also used in new construction sheetrock ceilings.
- N and I Mounting Types only. I Mounting requires external brackets.
- N Mounting Type only
- N Mounting Type only



FIXTURE PERFORMANCE DATA

STATIC WHITE (See page 3 for tunable white data)

	DISTRIBUTION	WATTAGE	FLUSH LENS TRIM TYPE		OPEN REFLECTOR TRIM TYPE		REGRESSED LENS TRIM TYPE		ANGLED LENS TRIM TYPE	
			DELIVERED LUMENS	EFFICACY (lm/W)	DELIVERED LUMENS	EFFICACY (lm/W)	DELIVERED LUMENS	EFFICACY (lm/W)	DELIVERED LUMENS	EFFICACY (lm/W)
P5	W	4.2	526	125	381	91	530	126	–	–
	M	4.2	528	126	361	86	520	124	–	–
	N	4.2	511	122	372	89	511	122	–	–
	S	5.4	607	112	435	80	609	113	–	–
	WW	4.2	–	–	–	–	–	–	407	97
P7	W	5.9	720	122	521	88	725	123	–	–
	M	5.9	722	122	494	84	711	121	–	–
	N	5.9	699	118	509	86	699	119	–	–
	S	7.6	789	104	565	74	792	104	–	–
	WW	5.9	–	–	–	–	–	–	557	94
P9	W	7.9	928	117	672	85	935	118	–	–
	M	7.9	931	118	637	81	917	116	–	–
	N	7.9	901	114	656	83	901	114	–	–
	S	11.1	1085	98	777	70	1089	98	–	–
	WW	7.9	–	–	–	–	–	–	718	91
P12	W	11.5	1292	112	936	81	1302	113	–	–
	M	11.5	1296	113	886	77	1277	111	–	–
	N	11.5	1254	109	914	79	1255	109	–	–
	S	15.3	1345	88	963	63	1349	88	–	–
	WW	11.5	–	–	–	–	–	–	1000	87
P15	W	14.7	1602	109	1160	79	1614	110	–	–
	M	14.7	1607	109	1099	75	1583	108	–	–
	N	14.7	1555	106	1133	77	1556	106	–	–
	S	22.7	1783	79	1276	56	1789	79	–	–
	WW	14.7	–	–	–	–	–	–	1240	84
P20	W	20.6	2104	102	1523	74	2119	103	–	–
	M	20.6	2110	102	1443	70	2079	101	–	–
	N	20.6	2042	99	1488	72	2043	99	–	–
	S	–	–	–	–	–	–	–	–	–
	WW	20.6	–	–	–	–	–	–	1628	79
P23	W	23.7	2326	98	1983	84	2343	99	–	–
	M	23.7	2333	98	1596	67	2298	97	–	–
	N	–	–	–	–	–	–	–	–	–
	S	–	–	–	–	–	–	–	–	–
	WW	23.7	–	–	–	–	–	–	1800	76

MULTIPLIER TABLES

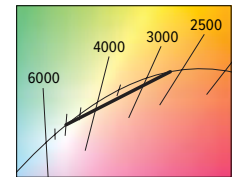
	COLOR TEMPERATURE		
	CCT	LUMENS	
		STANDARD	TUNABLE WHITE
80 CRI	2700K	0.92	–
	3000K	0.98	–
	3500K	1.00	–
	4000K	1.01	–
	5000K	1.02	–
90 CRI	2700K	0.76	1.05
	3000K	0.79	1.11
	3500K	0.82	1.06
	4000K	0.84	1.00
	5000K	0.88	1.06

	REFLECTOR FINISH	
	CATALOG NUMBER	CONVERSION FACTOR
O TRIM	CS	1.00
	SG ¹	0.92
	GD	0.93
	CG	0.96
	PW	0.86
	SPC	1.02
	RG	0.88
	WH ¹	0.89
BL ¹	0.47	
R TRIM	WH	1.00
	CS	0.98
	BL	0.79

TRIM OPTIONS	
CATALOG NUMBER	CONVERSION FACTOR
AD	0.85
PD	0.85

BEAM ANGLE

	TRIM TYPE		
	FLUSH	OPEN	REGRESSED
W	50°	50°	55°
M	30°	47°	30°
N	20°	47°	20°
S	14°	43°	14°



- ¹ Distribution will also be affected, consult factory.
- Photometrics tested in accordance with IESNA LM-79. Results shown are based on 25°C ambient temperature.
- Standard results based on 3500K/80 CRI and CS (O Trim Type) or WH (L, R and A Trim Types) Reflector finish. Actual lumens may vary +/-5%.
- Tunable white results based on 4000K/90 CRI and CS (O Trim Type) or WH (L, R and A Trim Types) Reflector finish. Actual lumens may vary +/-5%.
- Wattage and efficacy data shown do not account for node losses.
- Beam angle based on static white, L Trim Type and WH Reflector Finish.
- Use multiplier tables to calculate additional options.

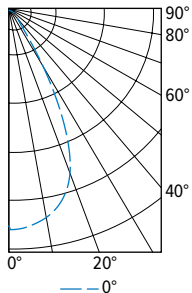


TUNABLE WHITE (See page 2 for static white data)

DISTRIBUTION	WATTAGE	FLUSH LENS TRIM TYPE		OPEN REFLECTOR TRIM TYPE		REGRESSED LENS TRIM TYPE		ANGLED LENS TRIM TYPE		
		DELIVERED LUMENS	EFFICACY (lm/W)	DELIVERED LUMENS	EFFICACY (lm/W)	DELIVERED LUMENS	EFFICACY (lm/W)	DELIVERED LUMENS	EFFICACY (lm/W)	
P5	W	7.3	581	80	421	58	586	80	–	–
	M	7.3	609	83	416	57	600	82	–	–
	N	7.3	552	76	402	55	553	76	–	–
	S	–	–	–	–	–	–	–	–	–
	WW	7.3	–	–	–	–	–	–	450	62
P7	W	10.1	776	77	562	56	782	77	–	–
	M	10.1	813	80	556	55	801	79	–	–
	N	10.1	737	73	537	53	738	73	–	–
	S	–	–	–	–	–	–	–	–	–
	WW	10.1	–	–	–	–	–	–	601	59
P9	W	14.6	1083	74	784	54	1091	75	–	–
	M	14.6	1134	78	776	53	1117	77	–	–
	N	14.6	1029	70	750	51	1030	71	–	–
	S	–	–	–	–	–	–	–	–	–
	WW	14.6	–	–	–	–	–	–	838	57
P12	W	19.3	1332	69	964	50	1342	70	–	–
	M	19.3	1395	72	954	49	1374	71	–	–
	N	19.3	1265	66	922	48	1266	66	–	–
	S	–	–	–	–	–	–	–	–	–
	WW	19.3	–	–	–	–	–	–	1031	53
P15	W	23.7	1491	63	1080	46	1502	63	–	–
	M	23.7	1562	66	1068	45	1538	65	–	–
	N	–	–	–	–	–	–	–	–	–
	S	–	–	–	–	–	–	–	–	–
	WW	23.7	–	–	–	–	–	–	1154	49
P20	W	–	–	–	–	–	–	–	–	–
	M	–	–	–	–	–	–	–	–	–
	N	–	–	–	–	–	–	–	–	–
	S	–	–	–	–	–	–	–	–	–
	WW	–	–	–	–	–	–	–	–	–
P23	W	–	–	–	–	–	–	–	–	–
	M	–	–	–	–	–	–	–	–	–
	N	–	–	–	–	–	–	–	–	–
	S	–	–	–	–	–	–	–	–	–
	WW	–	–	–	–	–	–	–	–	–

PHOTOMETRY

2DS-P15/835-POE PR-LW-OF-WH Total Luminaire Output: 1602 lumens; 14.7 Watts | Efficacy: 109 lm/W | 80 CRI; 3500K CCT

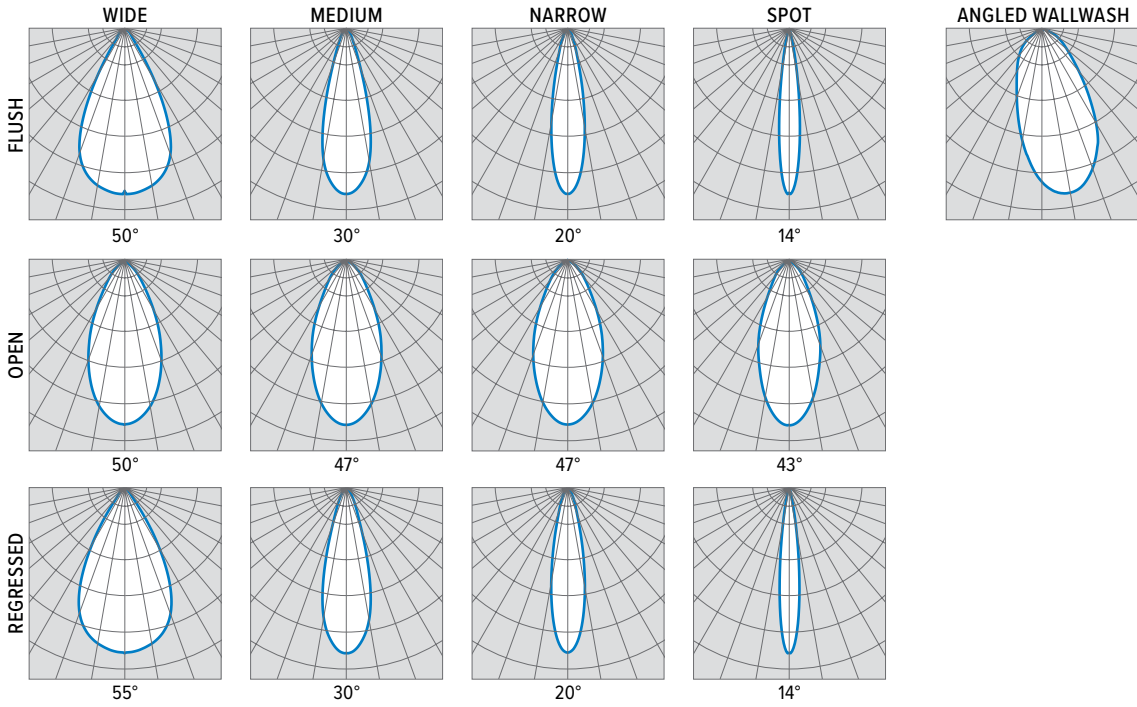


CANDLEPOWER DISTRIBUTION	VERTICAL ANGLE	HORIZONTAL ANGLE	ZONAL LUMENS
		0°	
	0	1852	
	5	1869	173
	15	1690	464
	25	1065	496
	35	269	227
	45	109	97
	55	72	68
	65	46	47
	75	22	24
	85	5	5
	90	0	

LUMEN SUMMARY	ZONE	LUMENS	% FIXTURE
	0 - 40	1360	85
	0 - 60	1526	95
	0 - 90	1602	100
	0-180	1602	100

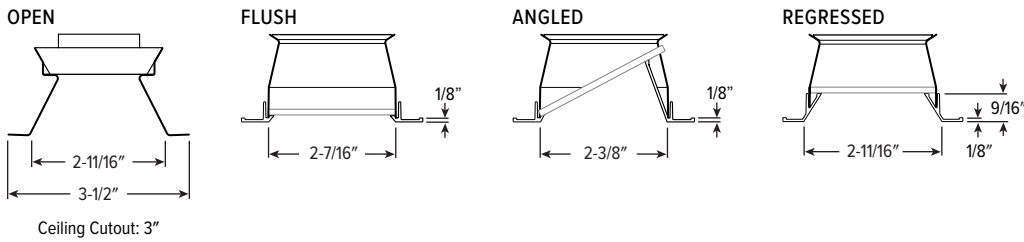


2DS PoE | tunable WHITE 2" Downlight – Square

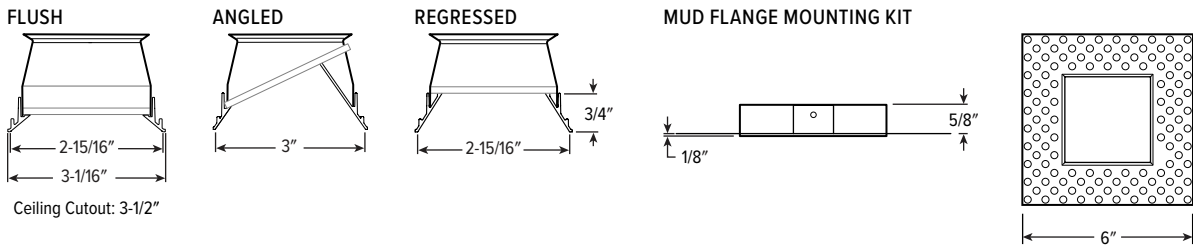


TRIM TYPE DETAILS

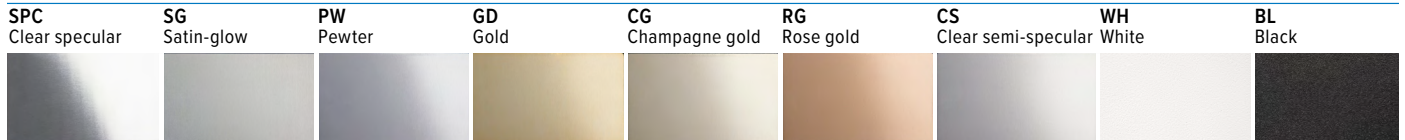
1/2" STANDARD FLANGE TYPE



ZERO-FLANGE MUD-IN

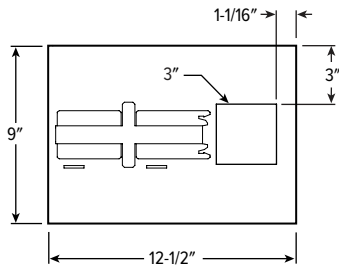


REFLECTOR FINISH DETAILS

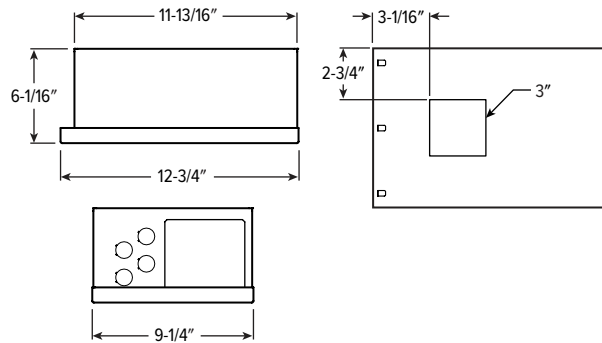


MOUNTING TYPE DETAILS

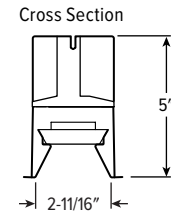
NEW CONSTRUCTION



IC-RATED

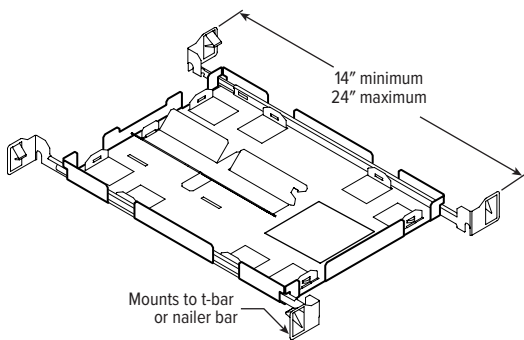


REMODEL

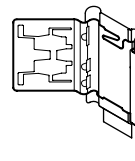


MOUNTING HARDWARE DETAILS

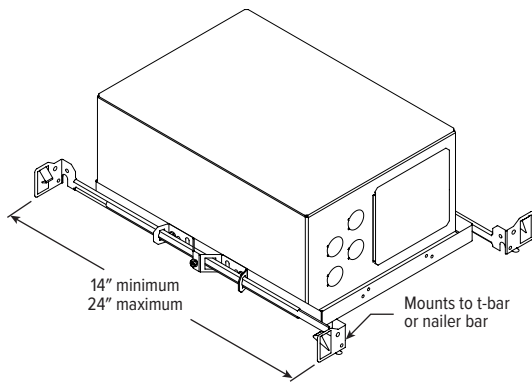
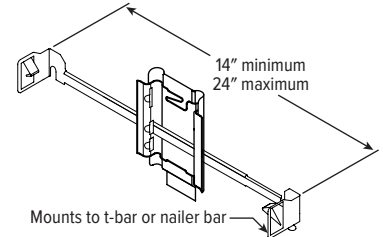
F1 Integral 2-position fixed pan bracket, universal bar hanger included



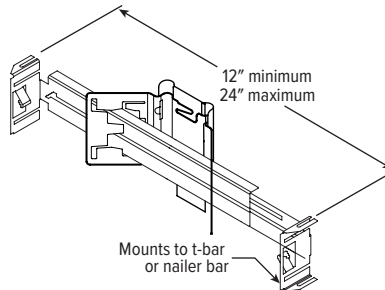
BA1 Adjustable butterfly pan bracket, bar hanger not included (N Mounting Type only)



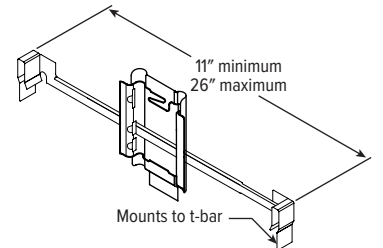
CA1 Adjustable caterpillar pan bracket, universal bar hanger included (N Mounting Type only)



BA2 Adjustable butterfly pan bracket, heavy-duty universal bar hanger included (N Mounting Type only)



CA2 Adjustable caterpillar pan bracket, t-bar hanger included (N Mounting Type only)



F1 with I Mounting Type

NODE CONNECTION DETAILS

Includes 24" cable with 4-position mating connector for Platformatics POE-LN2 node. See node spec sheet for details: platformatics.com/product/poe-ln2

