

SURFACE MOUNT – SOLID SIDES

12-2

SUBMITTAL:

2x2

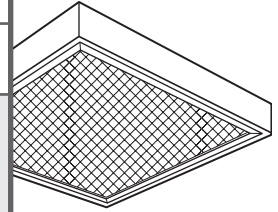
JOB:

TYPE:

VOLTAGE:

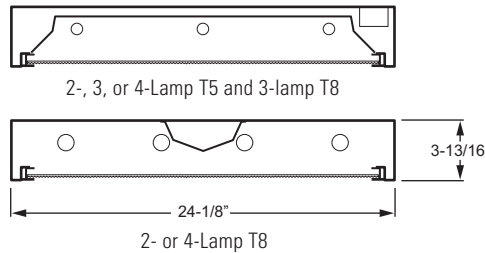
EXAMPLE → **12 - 2 - 2 31UN - S A12125 - OPTIONS - EB2 - UNV**

SERIES NOMINAL LENGTH TOTAL LAMPS WATTAGE/TYPE DOOR FRAME SHIELDING OPTIONS BALLAST TYPE VOLTAGE



FEATURES

- ▶ Fully enclosed spring-loaded cam latches allow years of hassle-free maintenance.
- ▶ Mitered corners provide clean, crisp appearance with no visible rivets or screws.
- ▶ Heavy-gauge welded end plates and housing ensure durable, rigid construction.
- ▶ Fully gasketed door minimizes contaminants.
- ▶ Ballast secured by two captive bolts and nuts to ensure a tight, reliable fit for maximum heat dissipation.
- ▶ This fixture is proudly made in the USA.



SPECIFICATIONS

Housing – 20-gauge die-formed, welded C.R.S.

Door Frame – 20-gauge C.R.S. or 0.050" extruded aluminum with mitered corners. Fully enclosed spring-loaded cam latches.

Shielding – Clear acrylic prismatic lens standard.

Finish – 92% minimum average reflective white polyester powder coat bonded to phosphate-free, multi-stage pretreated metal. All parts painted after fabrication to facilitate installation, increase efficiency, and inhibit corrosion.

Electrical – Electronic ballast standard, rated Class P. Default offering shown in chart below.

Lamp	Instant Start	Program Start
T5		•
T8	•	
31UN	•	
32U	•	
40TT	•	

Mounting – Surface or suspended.

Labels – UL/CUL listed as fluorescent luminaire suitable for dry or damp locations.

ORDERING INFORMATION

SERIES

12 2' x 2' Surface Mount – Solid Sides

NOMINAL LENGTH

2 2'

TOTAL LAMPS

2, 3, or 4

LAMP WATTAGE/TYPE

14T5S 2', 14-watt T5 (1- or 2-lamp ballast[s] only)

17 2', 17-watt T8

24T5H 2', 24-watt T5HO

31UN 2', U-bent, 31-watt T8, 1-5/8" leg spacing (3-lamp maximum)

32U 2', U-bent, 32-watt T8, 6" leg spacing (2-lamp maximum)

40TT 2', 40-watt long twin tube

DOOR FRAME

F White flat aluminum

R White regress aluminum

S White flat steel

FB Black flat aluminum

RB Black regress aluminum

SB Black flat steel

SHIELDING

See Fluorescent Information section for shielding details.

A12125 Acrylic, pattern #12, .125" thick

A19156 Acrylic, pattern #19, .156" thick

DA Drop dish acrylic

PC1SS Nominal 1/2" x 1/2" x 1/2" silver polystyrene

PC2SS Nominal 1-1/2" x 1-1/2" x 1" silver polystyrene

OPTIONS

For generic **EM ballast** options (must specify voltage), see Information section.

See Information section for **mounting** options.

BALLAST TYPE

EB2 2-lamp electronic ballast

EB3 3-lamp electronic ballast

EB4 4-lamp electronic ballast

EB2/1 (1) 2-lamp and (1) 1-lamp electronic ballast

EB2/2 (2) 2-lamp electronic ballasts

VOLTAGE

120 120V

277 277V

UNV 120-277V

347 347V

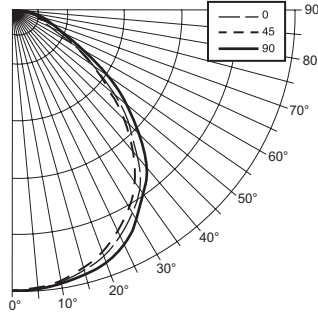
2x2

PHOTOMETRY INFORMATION

Catalog #: 12-2-231UN-SA12125-EB2

TEST REPORT INFORMATION

- ▶ Test Report #: 14867.0
- ▶ Date: 06/22/00
- ▶ Lamp Type: FB032/835/6
- ▶ Lamp Quantity: 2



CANDLEPOWER DISTRIBUTION

Vertical Angle	Horizontal Angle			Zonal Lumens
	0°	45°	90°	
0°	1758.	1758.	1758.	
5°	1750.	1747.	1758.	169.
15°	1680.	1693.	1721.	478.
25°	1543.	1578.	1630.	727.
35°	1322.	1372.	1420.	853.
45°	996.	1028.	1135.	800.0
55°	619.	642.	730.	590.0
65°	344.	298.	360.	333.0
75°	186.	160.	210.	188.0
85°	58.	62.	72.	70.0
90°	0	0	0	

ZONAL CAVITY COEFFICIENTS

	Ceiling	.80			.70			.50		
	Wall	.70	.50	.30	.70	.50	.30	.50	.30	.10
Room Cavity Ratio	0	.88	.88	.88	.86	.86	.86	.82	.82	.82
	1	.82	.79	.76	.80	.77	.74	.74	.72	.70
	2	.75	.70	.66	.74	.69	.65	.66	.63	.60
	3	.70	.63	.58	.68	.62	.57	.60	.56	.52
	4	.64	.57	.51	.63	.56	.50	.54	.49	.46
	5	.59	.51	.45	.58	.50	.44	.48	.43	.40
	6	.55	.46	.40	.53	.45	.39	.44	.39	.35
	7	.51	.41	.35	.50	.41	.35	.40	.34	.31
	8	.47	.37	.31	.46	.37	.31	.36	.30	.27
	9	.43	.34	.28	.42	.33	.27	.32	.27	.23
	10	.40	.30	.25	.39	.30	.25	.29	.24	.21

Effective Floor Cavity Reflectance = .20

LUMEN SUMMARY

Zone	Lumens	% Lamp	% Fixture
0 - 30	1373.	24.1	32.7
0 - 40	2226.	39.1	52.9
0 - 60	3616.	63.5	86.0
0 - 90	4207.	73.8	100.0
Total Luminaire:			
0 - 180	4207.	73.8	100.0

Total Luminaire Optical Efficiency: **73.8%**
 IES Spacing Criteria: Across = 1.3
 Along = 1.2

FIXTURE DETAILS

BACK VIEW

