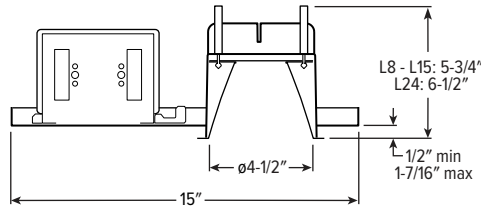


# 4DR dim to **WARM** 4.5" Downlight – Round



CATALOG #: \_\_\_\_\_

TYPE: \_\_\_\_\_

PROJECT: \_\_\_\_\_

## NEW CONSTRUCTION AND REMODEL

### FEATURES

#### TrimLock®

- Innovative TrimLock reflector retention system ensures trim remains flush with ceiling plane
- Dim to warm from 1800K to 3000K CCT, minimum 95 CRI
- 4 inch aperture is unobtrusive in small scale spaces
- Die cast trim choices include flush, regressed or angled lens
- Contemporary design provides glare-free illumination for a soft ceiling appearance
- Fully room-side accessible

### SPECIFICATIONS

- HOUSING** – Die-cast aluminum trim housing with forged aluminum heat sink. Galvanized steel splice compartment with driver mounting plate/enclosure. Swing-out mounting arms adjust for ceiling thickness from 1/2" - 1-7/16" (see options for additional ceiling thicknesses).
- TRIMLOCK** – Innovative TrimLock reflector retention system ensures the trim remains flush with the ceiling plane.
- OPEN REFLECTOR** – Low-iridescent anodized aluminum. Clear semi-specular finish standard.
- LENSED TRIM** – Die-cast aluminum frame with micro-prismatic, tempered glass lens.
- ELECTRICAL** – High-performance Class 2 C.O.B. LED array. Modular quick-connect plug for easy field-connection of LED light assembly to driver. Reported L70>55,000 hours. Reported L90>55,000 hours. Estimated L70 = 200,000 hours.
- MOUNTING** – Recessed. 20 ga. galvanized steel mounting pan for new construction or IC-rated enclosure. Remodel kit option includes receiver bracket hardware.
- LISTINGS** –
  - cCSAus conforms to UL STD 1598; Certified to CAN/CSA STD C22.2 No. 250.0 for damp locations. LED light assembly conforms to UL 2108 for remote installation.
  - Suitable for wet location under covered ceiling when specified with WET/CC or TD options.
  - IC-rated for direct contact with insulation when specified with I Mounting Type.
  - City of Chicago Environmental Air approved when specified with CP option.
  - Complies with ASTM-E283 when specified with ATH option.
  - RoHS compliant.
- WARRANTY** – 5-year limited warranty, see [hew.com/warranty](http://hew.com/warranty).

ORDERING EXAMPLE: 4DR - TL - L24/9DW - OPTIONS - DIM - UNV - OW - OF - CS - TRIM OPTIONS - N - F1

### HOUSING

SERIES	LUMENS <sup>(1)</sup>	COLOR	OPTIONS	CONTROL	VOLTAGE
4DR - TL	L8 800lm	9DW Dim to warm (95 CRI, 1800K – 3000K)	SCA__ Sloped ceiling adapter <sup>(2)</sup>	DIM Dimming driver, 0-10V	UNV 120-277V
TrimLock	L15 1,500lm		ATH Airtight construction	LUT Lutron Ecosystem enabled	347 347V <sup>(3)</sup>
	L24 2,400lm		F Fuse		
			EM/7W 7-watt emergency battery <sup>(4)</sup>		
			EM/10W 10-watt emergency battery <sup>(5)</sup>		
			EM/10W/RTS 10-watt emergency battery with regressed test switch <sup>(6)</sup>		
			CP Chicago plenum (CCEA) <sup>(7)</sup>		
			SDT Stepdown transformer <sup>(8)</sup>		
			TC Adjustable mounting arms for 1-1/2" – 2-1/4" thick ceilings		

### TRIM <sup>(9)</sup>

TRIM TYPE	DISTRIBUTION <sup>(10)</sup>	FLANGE TYPE	REFLECTOR FINISH	TRIM OPTIONS
O Open reflector	W Wide	OF 1/2" standard flange	Open trim types	MWT Textured white trim flange <sup>(16)</sup>
L Flush lens	65° Open	SF 1/4" mud-in flange <sup>(14)</sup>	CS Clear semi-specular anodize	IP IP65 rated trim <sup>(17)</sup>
R Regressed lens	50° Flush		SG Satin-glow anodize	AD Diffuse acrylic lens <sup>(18)</sup>
A Angled lens <sup>(11)</sup>	50° Regressed		GD Gold anodize	PD Diffuse 1/8" polycarbonate lens <sup>(19)</sup>
S Non-conductive flush lens for shower applications <sup>(12)</sup>	M Medium		CG Champagne gold anodize	TD Diffuse polycarbonate lens media at top of open reflector <sup>(20)</sup>
	45° Open		PW Pewter anodize	WET/CC Wet location, covered ceiling listed
	35° Flush		SPC Clear specular anodize	AM Anti-microbial <sup>(21)</sup>
	30° Regressed		RG Rose gold anodize	
	N Narrow		WH White texture powder coat	
	10° Open		BL Black texture powder coat	
	25° Flush			
	25° Regressed		<b>Lens trim types</b>	
	WW Wall wash <sup>(13)</sup>		CS Clear semi-specular powder coat	
			WH White texture powder coat	
			BL Black texture powder coat	
			MB Black texture splay with white flange <sup>(15)</sup>	

### MOUNTING

#### MOUNTING TYPE <sup>(22)</sup>

- N Open pan for new construction
- I IC-rated enclosure for new construction <sup>(24)</sup>
- R Remodel kit <sup>(25)</sup>

#### MOUNTING HARDWARE <sup>(23)</sup>

- F1 Integral 2-position fixed pan bracket, universal bar hanger included <sup>(26)</sup>
- BA1 Adjustable butterfly pan bracket, bar hanger not included <sup>(27)</sup>
- CA1 Adjustable caterpillar pan bracket, universal bar hanger included <sup>(28)</sup>

### NOTES

- Lumen output based on full light output, O trim type, W distribution and CS finish, 3500K/95CRI. Actual lumens may vary +/-5%, see page 2 for FIXTURE PERFORMANCE DATA.
- 9" aperture, specify degrees of slope in 5° increments, 05°-30°. See page 4 for SLOPED CEILING ADAPTOR DETAILS. Not available with ATH or TC options. N Mounting Type only. Not available with WET/CC.
- Not available with EM batteries.
- N and R Mounting Types only.
- N and R Mounting Types only.
- Not available with WET/CC, ATH or IP options. N and R Mounting Types only. See page 5 for EM/10W/RTS DETAILS.
- I Mounting Type required.
- May be required for 347V, see product builder at [hew.com/product-builder](http://hew.com/product-builder)
- Trim ships separately.
- Beam angle based on CS or WH reflector finish.
- Available with WW Distribution only.
- W Distribution, OF Flange Type, WH Reflector Finish only. Standard with AD diffuse acrylic lens. IP and WET/CC options standard.
- O and A Trim Types only.
- For use with mud-in plaster construction only, supplied with mud flange installation kit. See page 4 for FLANGE TYPE DETAILS. Not available with ATH or IP options.
- R Trim Type only. Not available with MWT.
- Not available with WH Reflector Finish, L or S Trim Types.
- L and R Trim Types only.
- Not available with O trim type. W distribution only.
- Not available with O trim type. W distribution only.
- O Trim Type only. WET/CC standard. Not available with S Trim Type.
- WH and BL Reflector Finishes only.
- Mounting hardware required (N and I only), ordered separately, see MOUNTING HARDWARE ordering info. See page 4 for MOUNTING TYPE DETAILS.
- Additional mounting hardware options available. SEE PAGE 5 FOR MOUNTING HARDWARE DETAILS.
- L15 lumen package max.
- Also used in new construction sheetrock ceilings.
- N and I Mounting Types only.
- N Mounting Type only.
- N Mounting Type only.

# 4DR dim to WARM 4.5" Downlight – Round

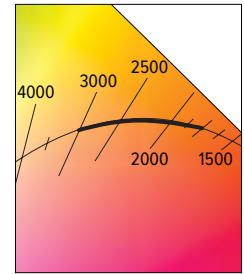
## FIXTURE PERFORMANCE DATA

### OPEN REFLECTOR TRIM TYPE

	DIST.	DELIVERED LUMENS	CCT AT 100% (FULL OUTPUT)	CCT AT 1% (FULL DIM)	WATTAGE	EFFICACY (lm/W)
L8	W	862	3000K	1800K	14.0	61.6
	M	830			14.0	59.3
	N	800			14.0	57.1
L15	W	1511			23.4	64.6
	M	1455			23.4	62.3
	N	1402			23.4	60.0
L24	W	2228			37.7	59.1
	M	2226			37.7	59.0
	N	2228			37.7	59.1

### FLUSH LENS TRIM TYPE

	DIST.	DELIVERED LUMENS	CCT AT 100% (FULL OUTPUT)	CCT AT 1% (FULL DIM)	WATTAGE	EFFICACY (lm/W)
L8	W	670	3000K	1800K	14.0	47.9
	M	760			14.0	54.3
	N	765			14.0	54.7
L15	W	1175			23.4	50.3
	M	1333			23.4	57.0
	N	1242			23.4	57.4
L24	W	1925			37.7	51.1
	M	1995			37.7	52.9
	N	2197			37.7	58.3



### REGRESSED LENS TRIM TYPE

	DIST.	DELIVERED LUMENS	CCT AT 100% (FULL OUTPUT)	CCT AT 1% (FULL DIM)	WATTAGE	EFFICACY (lm/W)
L8	W	678	3000K	1800K	14.0	48.4
	M	763			14.0	54.5
	N	769			14.0	54.9
L15	W	1188			23.4	50.8
	M	1337			23.4	57.2
	N	1348			23.4	57.7
L24	W	1945			37.7	51.6
	M	1997			37.7	52.9
	N	2208			37.7	58.6

### MULTIPLIER TABLES

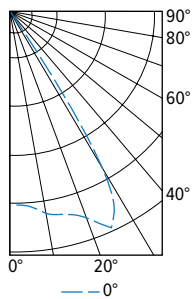
	REFLECTOR FINISH	
	CATALOG NUMBER	CONVERSION FACTOR
O TRIM	CS	1.00
	SG <sup>1</sup>	0.92
	GD	0.93
	CG	0.96
	PW	0.86
	SPC	1.02
	RG	0.88
	WH <sup>1</sup>	0.89
BL <sup>1</sup>	0.47	
R TRIM	WH	1.00
	CS	0.98
	BL	0.79

TRIM	
CATALOG NUMBER	CONVERSION FACTOR
S	0.85
AD	0.85
PD	0.85
TD	0.75
WET/CC <sup>2</sup>	0.85

- Distribution will also be affected, consult factory.
- Use multiplier when specified with O Trim Type.
  - Photometrics tested in accordance with IESNA LM-79. Results shown are based on 25°C ambient temperature.
  - Wattage shown is based on 120V input.
  - Results based on 3000K, 95 CRI, full output, actual lumens may vary +/-5%
  - Use multiplier table to calculate additional options.

## PHOTOMETRY

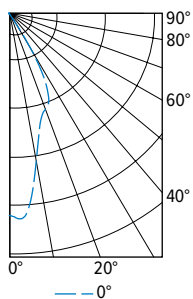
4DR-TL-L24/9DW-DIM-UNV-OW-OF-CS Total Luminaire Output: 2228 lumens; 37.7 Watts | Efficacy: 59.1 lm/W | 95.0 CRI; 3604K CCT



CANDLEPOWER DISTRIBUTION	VERTICAL ANGLE	HORIZONTAL ANGLE	ZONAL LUMENS
		0°	
	0	2011	
	5	2071	198
	15	2178	617
	25	2479	1147
	35	341	215
	45	49	38
	55	12	11
	65	1	1
	75	0	0
	85	0	0
	90	0	0

LUMEN SUMMARY	ZONE	LUMENS	% FIXTURE
	0 - 40	2176	98
	0 - 60	2226	100
	0 - 90	2228	100
	0 - 180	2228	100

4DR-TL-L24/9DW-DIM-UNV-OM-OF-CS Total Luminaire Output: 2226 lumens; 37.7 Watts | Efficacy: 59.0 lm/W | 95.0 CRI; 3600K CCT



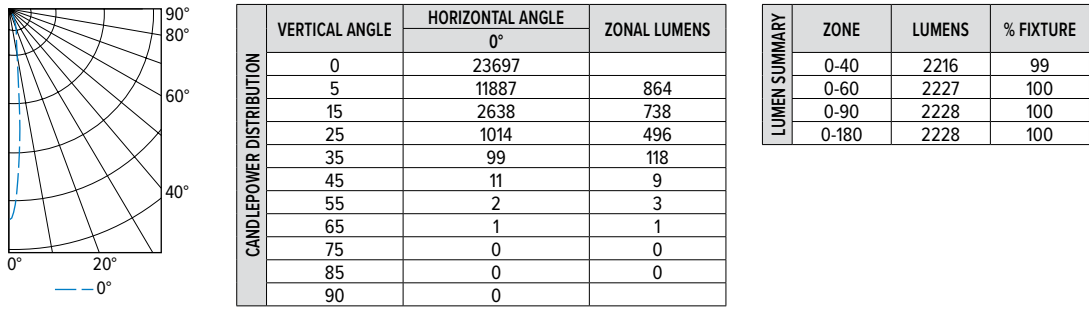
CANDLEPOWER DISTRIBUTION	VERTICAL ANGLE	HORIZONTAL ANGLE	ZONAL LUMENS
		0°	
	0	4505	
	5	4458	386
	15	2571	737
	25	1990	860
	35	175	199
	45	40	32
	55	9	9
	65	2	3
	75	1	1
	85	0	0
	90	0	0

LUMEN SUMMARY	ZONE	LUMENS	% FIXTURE
	0-40	2182	98
	0-60	2223	99
	0-90	2226	100
	0-180	2226	100

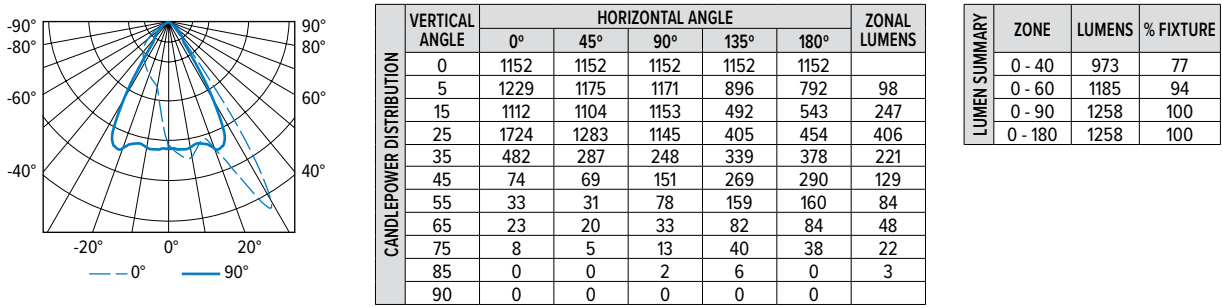


# 4DR dim to **WARM** 4.5" Downlight – Round

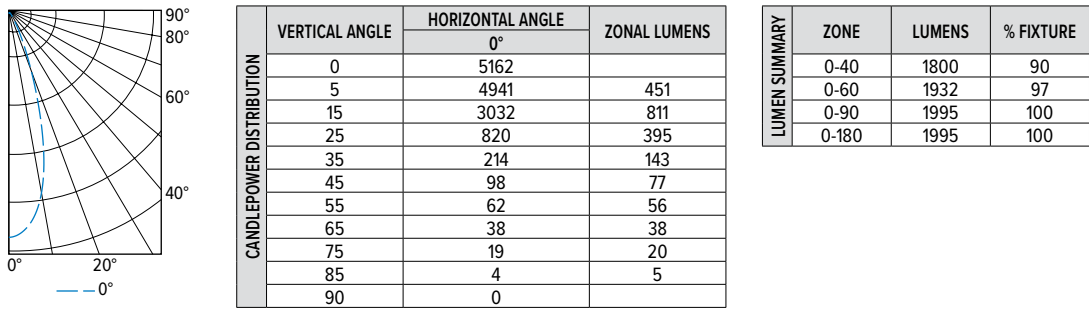
4DR-TL-L24/9DW-DIM-UNV-ON-OF-CS Total Luminaire Output: 2228 lumens; 37.7 Watts | Efficacy: 59.1 lm/W | 95.0 CRI; 3587K CCT



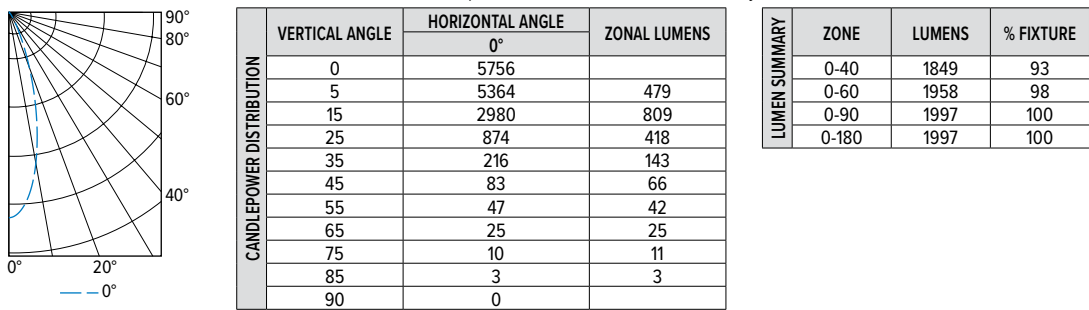
4DR-TL-L24/9DW-DIM-UNV-OWW-OF-CS Total Luminaire Output: 1258 lumens; 37.7 Watts | Efficacy: 33.4 lm/W | 95.0 CRI; 3596K CCT



4DR-TL-L24/9DW-DIM-UNV-LM-OF-WH Total Luminaire Output: 1995 lumens; 37.7 Watts | Efficacy: 52.9 lm/W | 95.0 CRI; 3549K CCT



4DR-TL-L24/9DW-DIM-UNV-RM-OF-WH Total Luminaire Output: 1997 lumens; 37.7 Watts | Efficacy: 52.9 lm/W | 95.0 CRI; 3546K CCT



## TRIMLOCK DETAILS

**TWIST**



**PULL**

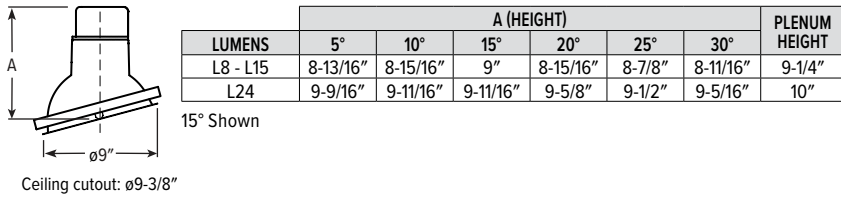


**RELEASE**

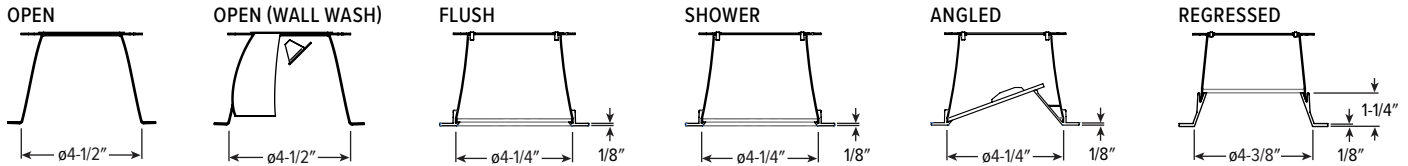


# 4DR dim to WARM 4.5" Downlight – Round

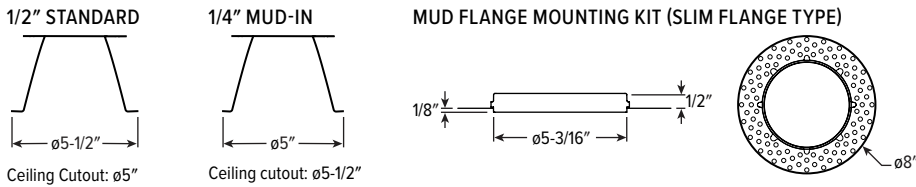
## SLOPED CEILING ADAPTOR DETAILS



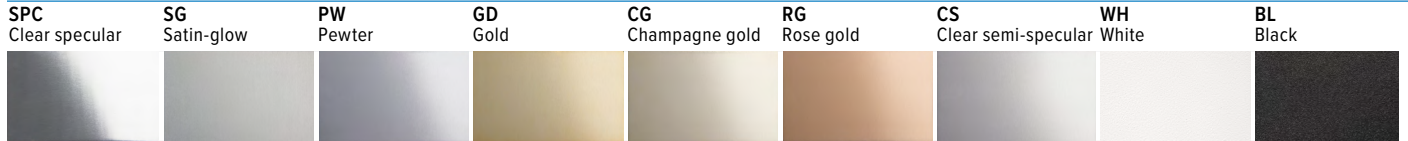
## TRIM TYPE DETAILS



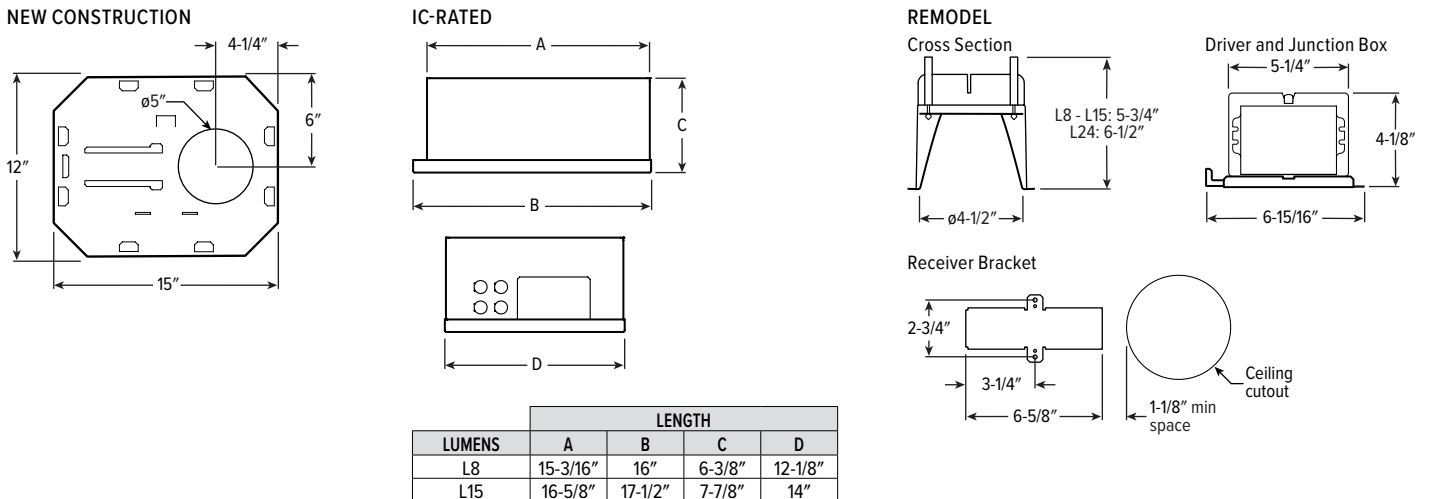
## FLANGE TYPE DETAILS



## REFLECTOR FINISH DETAILS

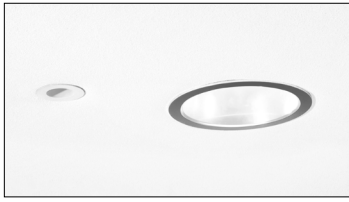


## MOUNTING TYPE DETAILS

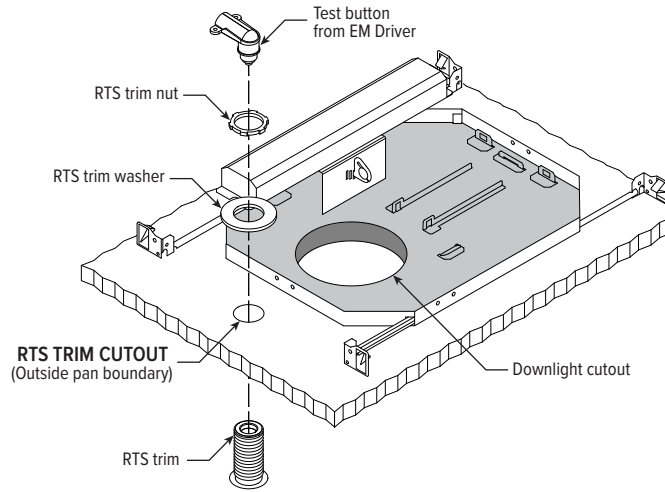


# 4DR dim to **WARM** 4.5" Downlight – Round

## EM/10W/RTS DETAILS

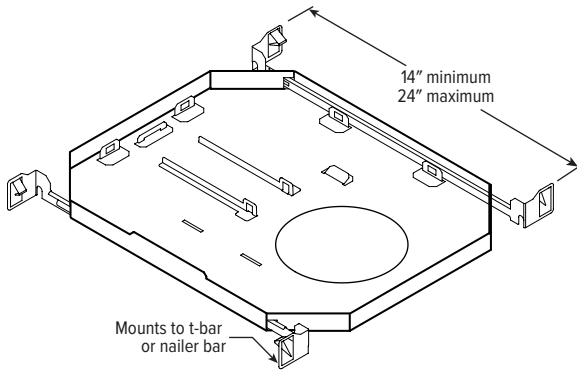


Shown Installed

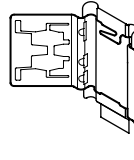


## MOUNTING HARDWARE DETAILS

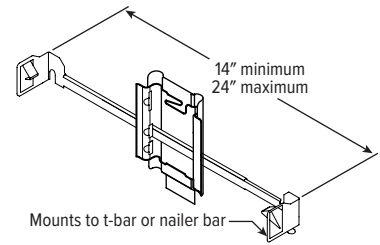
**F1** Integral 2-position fixed pan bracket, universal bar hanger included



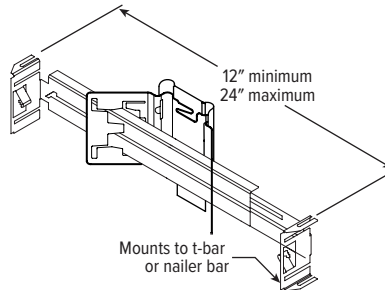
**BA1** Adjustable butterfly pan bracket, bar hanger not included (N Mounting Type only)



**CA1** Adjustable caterpillar pan bracket, universal bar hanger included (N Mounting Type only)



**BA2** Adjustable butterfly pan bracket, heavy-duty universal bar hanger included (N Mounting Type only)



**CA2** Adjustable caterpillar pan bracket, t-bar hanger included (N Mounting Type only)

