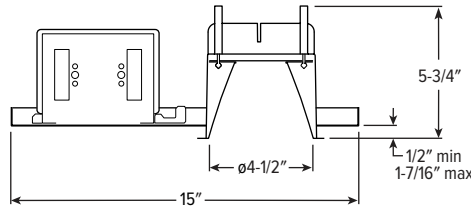


# 4DR tunable WHITE 4.5" Downlight – Round



CATALOG #: \_\_\_\_\_

TYPE: \_\_\_\_\_

PROJECT: \_\_\_\_\_

## NEW CONSTRUCTION AND REMODEL

### FEATURES

#### TrimLock®

- Innovative TrimLock reflector retention system ensures trim remains flush with ceiling plane
- Tunable white from 2700K to 5000K CCT, minimum 80 CRI
- Beam angles ranging from 10° narrow to 65° wide for tailored performance
- Die cast trim choices include flush, regressed or angled lens
- Contemporary design provides glare-free illumination for a soft ceiling appearance
- Fully room-side accessible

### SPECIFICATIONS

- HOUSING** – Die-cast aluminum trim housing with forged aluminum heat sink. Galvanized steel splice compartment with driver mounting plate/enclosure. Swing-out mounting arms adjust for ceiling thickness from 1/2" - 1-7/16" (see options for additional ceiling thicknesses).
- TRIMLOCK** – Innovative TrimLock reflector retention system ensures the trim remains flush with the ceiling plane.
- OPEN REFLECTOR** – Low-iridescent anodized aluminum. Clear semi-specular finish standard.
- LENSED TRIM** – Die-cast aluminum frame with micro-prismatic, tempered glass lens.
- ELECTRICAL** – High-performance Class 2 LED array. Modular quick-connect plug for easy field-connection of LED light assembly to driver. Reported L70>50,000 hours. Tunable White products use LEDs of multiple CCTs and may produce a perceptibly different shade of white from single-CCT products at the same CCT. All CCTs are within 3 MacAdam ellipses.
- MOUNTING** – Recessed. 20 ga. galvanized steel mounting pan for new construction or IC-rated enclosure. Remodel kit option includes receiver bracket hardware.
- LISTINGS** –
  - cCSAus conforms to UL STD 1598; Certified to CAN/CSA STD C22.2 No. 250.0 for damp locations. LED light assembly conforms to UL 2108 for remote installation.
  - Suitable for wet location under covered ceiling when specified with WET/CC or TD options.
  - IC-rated for direct contact with insulation when specified with I Mounting Type.
  - City of Chicago Environmental Air approved when specified with CP option.
  - Complies with ASTM-E283 when specified with ATH option.
  - RoHS compliant.
- WARRANTY** – 5-year limited warranty, see [hew.com/warranty](http://hew.com/warranty).

ORDERING EXAMPLE: 4DR - TL - L13/8TW - OPTIONS - DIM - UNV - OW - OF - CS - TRIM OPTIONS - N - F1

### HOUSING

SERIES	LUMENS <sup>[1]</sup>	COLOR	OPTIONS	CONTROL	VOLTAGE
4DR-TL	L13 1,300lm	8TW Tunable white (80 CRI, 2700K-5000K)	EM/7W 7-watt emergency battery <sup>[2]</sup>	DALI Driver prewired for DALI applications	UNV 120-277V
TrimLock	L22 2,200lm		EM/10W 10-watt emergency battery <sup>[3]</sup>	DIM Dimming driver with (1) 0-10V signal to control dimming and (1) 0-10V signal to control CCT	
			EM/10W/RTS 10-watt emergency battery with regressed test switch <sup>[4]</sup>	DMX Driver prewired for DMX applications	
			SCA_ _ Sloped ceiling adapter <sup>[5]</sup>		
			ATH Airtight construction		
			F Fuse kit		
			CP Chicago plenum (CCEA) <sup>[6]</sup>		
			TC Adjustable mounting arms for 1-1/2" – 2-1/4" thick ceilings		

### TRIM <sup>[7]</sup>

TRIM TYPE	DISTRIBUTION <sup>[8]</sup>	FLANGE TYPE	REFLECTOR FINISH	TRIM OPTIONS
O Open reflector	W Wide	OF 1/2" standard flange	Open trim types	MWT Textured white trim flange <sup>[13]</sup>
L Flush lens	65° Open	SF 1/4" mud-in flange <sup>[12]</sup>	CS Clear semi-specular anodize	IP IP65 rated trim <sup>[14]</sup>
R Regressed lens	50° Flush		SG Satin-glow anodize	AD Diffuse acrylic lens <sup>[15]</sup>
A Angled lens <sup>[9]</sup>	50° Regressed		GD Gold anodize	PD Diffuse 1/8" polycarbonate lens <sup>[16]</sup>
S Non-conductive flush lens for shower applications <sup>[10]</sup>	M Medium		CG Champagne gold anodize	TD Diffuse polycarbonate lens media at top of open reflector <sup>[17]</sup>
	45° Open		PW Pewter anodize	WET/CC Wet location, covered ceiling listed
	35° Flush		SPC Clear specular anodize	AM Anti-microbial <sup>[18]</sup>
	30° Regressed		RG Rose gold anodize	
	N Narrow		WH White texture powder coat	
	10° Open		BL Black texture powder coat	
	25° Flush		MB Black texture splay with white flange <sup>[19]</sup>	
	25° Regressed			
	WW Wall wash <sup>[11]</sup>			

### MOUNTING

#### MOUNTING TYPE <sup>[20]</sup>

- N Open pan for new construction
- I IC-rated enclosure for new construction
- R Remodel kit <sup>[22]</sup>

#### MOUNTING HARDWARE <sup>[21]</sup>

- F1 Integral 2-position fixed pan bracket, universal bar hanger included <sup>[23]</sup>
- BA1 Adjustable butterfly pan bracket, bar hanger not included <sup>[24]</sup>
- CA1 Adjustable caterpillar pan bracket, universal bar hanger included <sup>[25]</sup>

### NOTES

- Lumen output based on O trim type, W distribution and CS finish, 4000K/80CRI. Actual lumens may vary +/-5%, see page 2 for FIXTURE PERFORMANCE DATA.
- N and R Mounting Types only.
- N and R Mounting Types only.
- Not available with WET/CC, ATH or IP options. N and R Mounting Types only. See page 5 for EM/10W/RTS DETAILS.
- 9° aperture, specify degrees of slope in 5° increments, 05°-30°. See page 4 for SLOPED CEILING ADAPTOR DETAILS. Not available with ATH or TC options. N Mounting Type only. Not available with WET/CC.
- I Mounting Type required.
- Trim ships separately.
- Beam angle based on CS or WH reflector finish.
- Available with WW Distribution only.
- W Distribution, OF Flange Type, WH Reflector Finish only. Standard with AD diffuse acrylic lens. IP and WET/CC options standard.
- O and A Trim Types only.
- For use with mud-in plaster construction only, supplied with mud flange installation kit. See page 4 for FLANGE TYPE DETAILS. Not available with ATH or IP options.
- Not available with WH Reflector Finish, L or S Trim Types.
- L and R Trim Types only.
- Not available with O trim type. W distribution only.
- Not available with O trim type. W distribution only.
- O Trim Type only. WET/CC standard.
- WH and BL Reflector Finishes only. Not available with S Trim Type.
- R Trim Type only. Not available with MWT.
- Mounting hardware required (N and I only), ordered separately. See MOUNTING HARDWARE ordering info. See page 4 for MOUNTING TYPE DETAILS.
- Additional mounting hardware options available. See page 4 for MOUNTING TYPE DETAILS.
- Also used in new construction sheetrock ceilings.
- N and I Mounting Types only.
- N Mounting Type only.
- N Mounting Type only.

# 4DR tunable WHITE 4.5" Downlight – Round

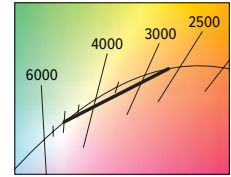
## FIXTURE PERFORMANCE DATA

### OPEN REFLECTOR TRIM TYPE

	DISTRIBUTION	DELIVERED LUMENS	WATTAGE	EFFICACY (lm/W)
L13	W	1283	14.6	87.9
	M	1281	14.6	87.7
	N	1283	14.6	87.9
L22	W	2289	24.0	95.2
	M	2198	24.0	91.4
	N	2097	24.0	87.2

### FLUSH LENS TRIM TYPE

	DISTRIBUTION	DELIVERED LUMENS	WATTAGE	EFFICACY (lm/W)
L13	W	1029	14.6	70.7
	M	1148	14.6	78.6
	N	1175	14.6	80.7
L22	W	1781	24.0	74.0
	M	2020	24.0	84.0
	N	2033	24.0	84.5



### REGRESSED LENS TRIM TYPE

	DISTRIBUTION	DELIVERED LUMENS	WATTAGE	EFFICACY (lm/W)
L13	W	1040	14.6	71.4
	M	1149	14.6	78.7
	N	1181	14.6	81.1
L22	W	1799	24.0	74.8
	M	2026	24.0	84.3
	N	2043	24.0	84.9

### MULTIPLIER TABLES

COLOR TEMPERATURE		
CCT	LUMENS	WATTS
2700K	0.83	1.03
3000K	1.00	1.00
3500K	0.99	0.99
4000K	1.00	1.00
5000K	0.98	1.03

O TRIM	REFLECTOR FINISH	
	CATALOG NUMBER	CONVERSION FACTOR
	CS	1.00
	SG <sup>1</sup>	0.92
	GD	0.93
	CG	0.96
	PW	0.86
	SPC	1.02
RG	0.88	
R TRIM	WH <sup>1</sup>	0.89
	BL <sup>1</sup>	0.47
	WH	1.00
	CS	0.98
	BL	0.79

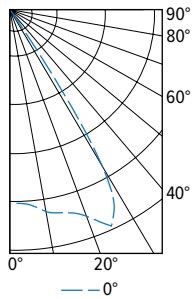
TRIM	
CATALOG NUMBER	CONVERSION FACTOR
S	0.85
AD	0.85
PD	0.85
TD	0.75
WET/CC <sup>2</sup>	0.85

- Photometrics tested in accordance with IESNA LM-79. Results shown are based on 25°C ambient temperature.
- Wattage shown is based on 120V input.
- Results based on 4000K, 80 CRI, actual lumens may vary +/-5%
- Use multiplier tables to calculate additional options.

- Distribution will also be affected, consult factory.
- Use multiplier when specified with O Trim Type.

## PHOTOMETRY

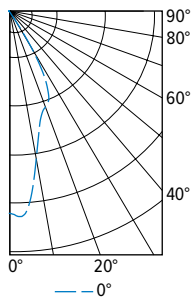
4DR-TL-L13/8TW-DIM-UNV-OW-OF-CS Total Luminaire Output: 1283 lumens; 14.6 Watts | Efficacy: 87.9 lm/W | 80.0 CRI; 4037K CCT



CANDLEPOWER DISTRIBUTION	VERTICAL ANGLE	HORIZONTAL ANGLE	ZONAL LUMENS
		0°	
	0	1158	
	5	1193	114
	15	1254	356
	25	1428	660
	35	196	124
	45	28	22
	55	7	6
	65	1	1
	75	0	0
	85	0	0
	90	0	0

LUMEN SUMMARY	ZONE	LUMENS	% FIXTURE
	0 - 40	1254	98
	0 - 60	1283	100
	0 - 90	1283	100
	0 - 180	1283	100

4DR-TL-L13/8TW-DIM-UNV-OM-OF-CS Total Luminaire Output: 1281 lumens; 14.6 Watts | Efficacy: 87.7 lm/W | 80.0 CRI; 4037K CCT



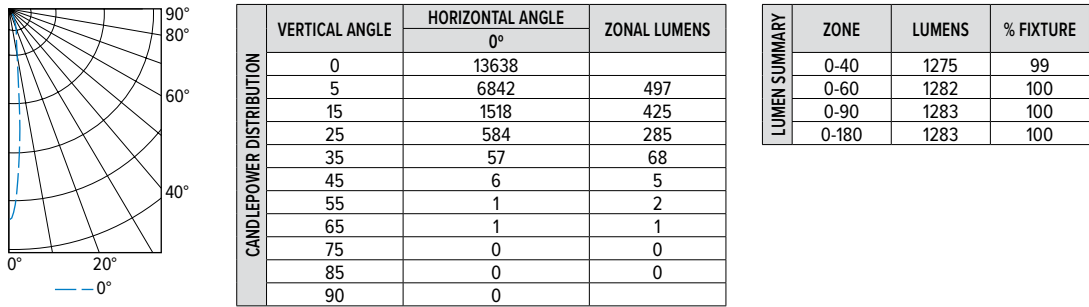
CANDLEPOWER DISTRIBUTION	VERTICAL ANGLE	HORIZONTAL ANGLE	ZONAL LUMENS
		0°	
	0	2593	
	5	2566	222
	15	1480	424
	25	1146	495
	35	100	114
	45	23	18
	55	5	5
	65	1	1
	75	0	0
	85	0	0
	90	0	0

LUMEN SUMMARY	ZONE	LUMENS	% FIXTURE
	0-40	1256	98
	0-60	1279	100
	0-90	1281	100
	0-180	1281	100

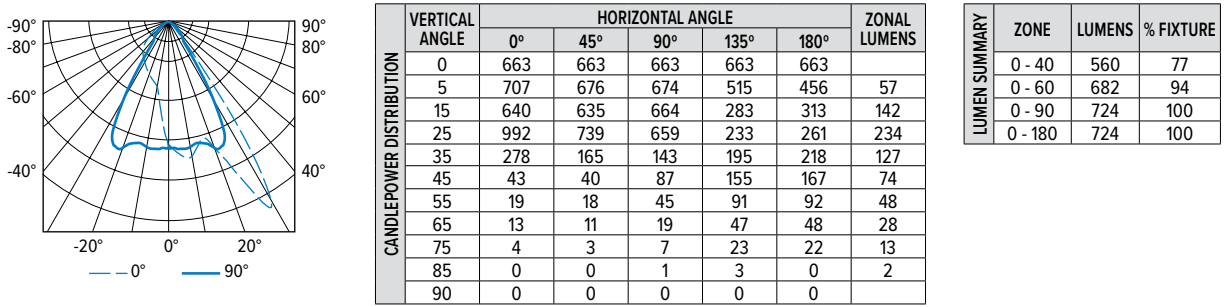


# 4DR tunable WHITE 4.5" Downlight – Round

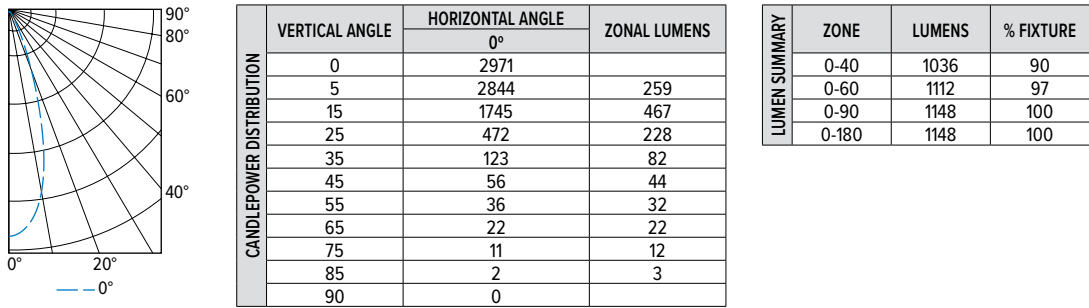
4DR-TL-L13/8TW-DIM-UNV-ON-OF-CS Total Luminaire Output: 1283 lumens; 14.6 Watts | Efficacy: 87.9 lm/W | 80.0 CRI; 4037K CCT



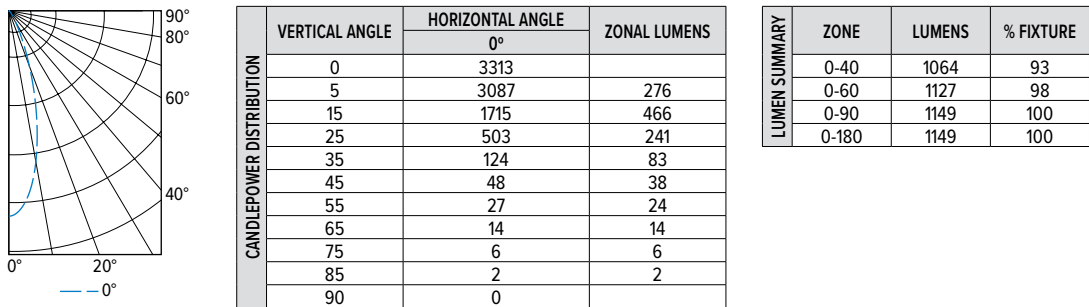
4DR-TL-L13/8TW-DIM-UNV-OWW-OF-CS Total Luminaire Output: 724 lumens; 14.6 Watts | Efficacy: 49.6 lm/W | 80.0 CRI; 4037K CCT



4DR-TL-L13/8TW-DIM-UNV-LM-OF-WH Total Luminaire Output: 1148 lumens; 14.6 Watts | Efficacy: 78.6 lm/W | 80.0 CRI; 4037K CCT



4DR-TL-L13/8TW-DIM-UNV-RM-OF-WH Total Luminaire Output: 1149 lumens; 14.6 Watts | Efficacy: 78.7 lm/W | 80.0 CRI; 4037K CCT



## TRIMLOCK DETAILS

TWIST



PULL

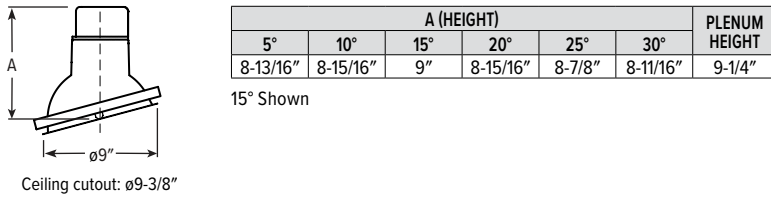


RELEASE

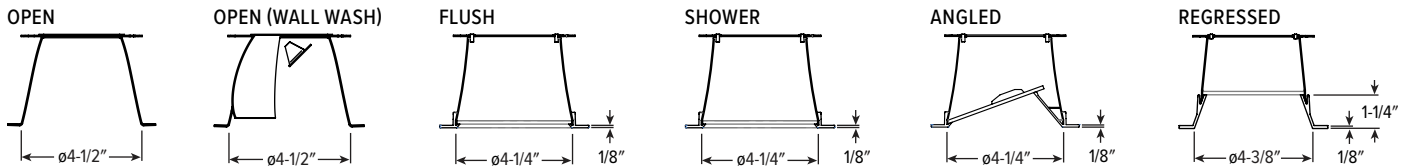


# 4DR tunable WHITE 4.5" Downlight – Round

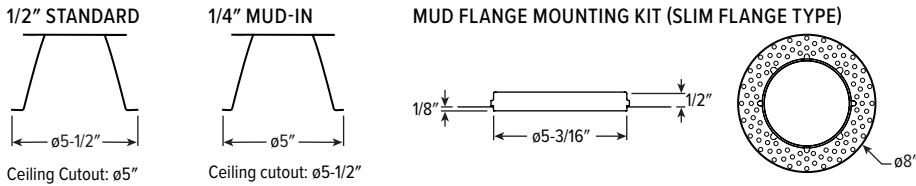
## SLOPED CEILING ADAPTOR DETAILS



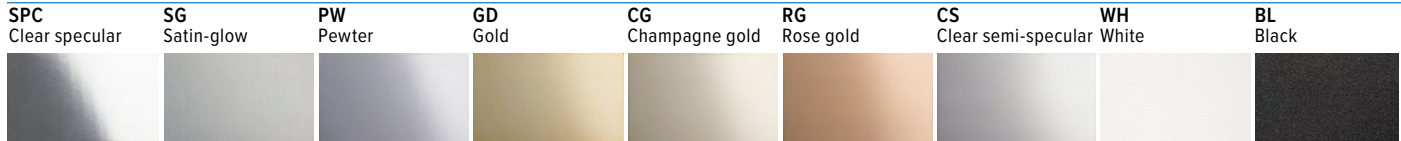
## TRIM TYPE DETAILS



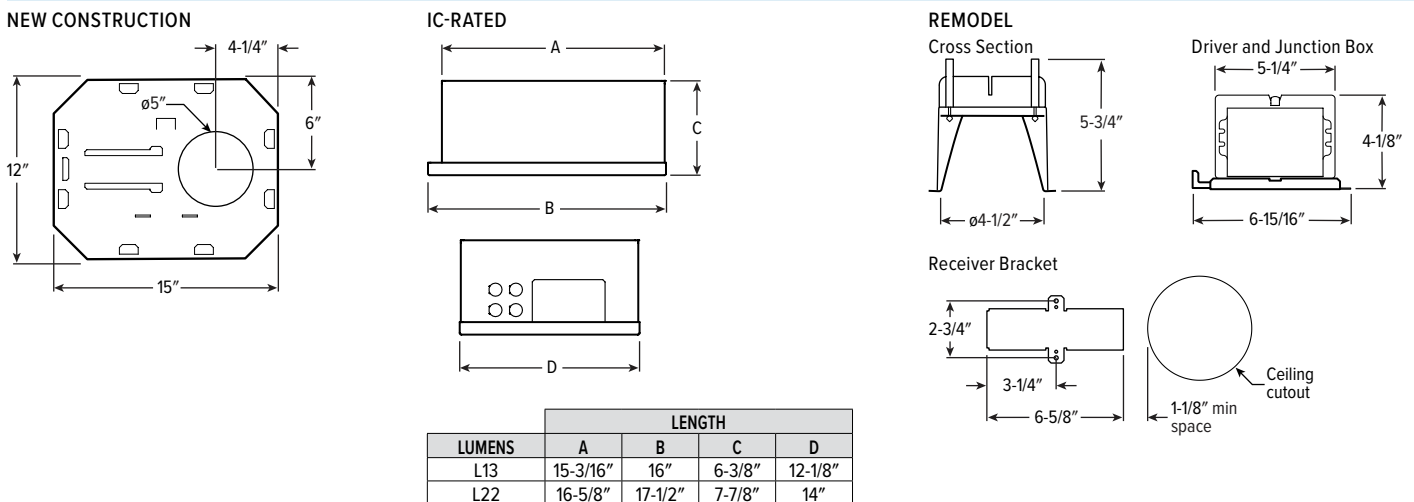
## FLANGE TYPE DETAILS



## REFLECTOR FINISH DETAILS

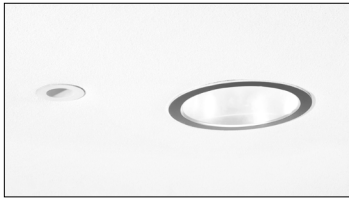


## MOUNTING TYPE DETAILS

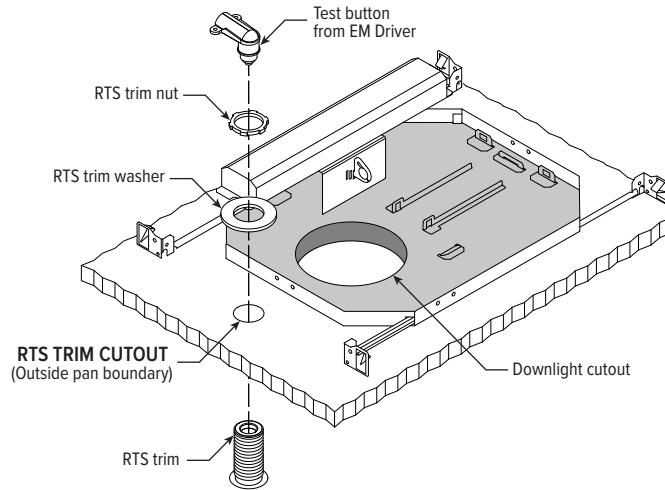


# 4DR tunable WHITE 4.5" Downlight – Round

## EM/10W/RTS DETAILS

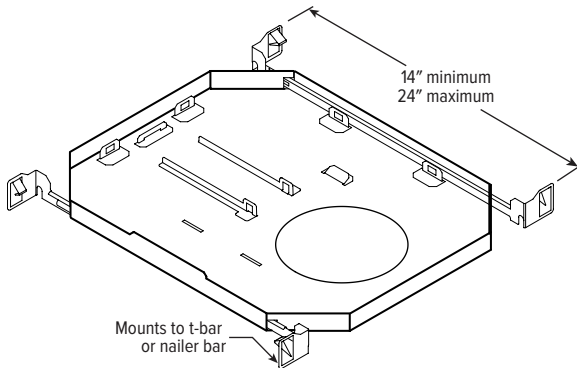


Shown Installed

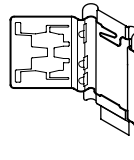


## MOUNTING HARDWARE DETAILS

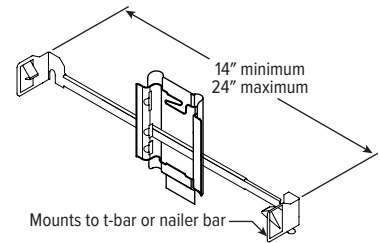
**F1** Integral 2-position fixed pan bracket, universal bar hanger included



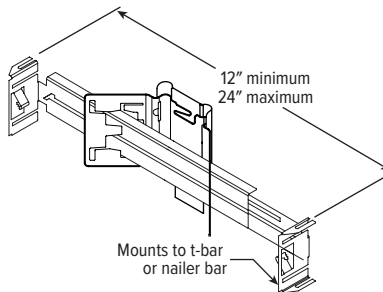
**BA1** Adjustable butterfly pan bracket, bar hanger not included (N Mounting Type only)



**CA1** Adjustable caterpillar pan bracket, universal bar hanger included (N Mounting Type only)



**BA2** Adjustable butterfly pan bracket, heavy-duty universal bar hanger included (N Mounting Type only)



**CA2** Adjustable caterpillar pan bracket, t-bar hanger included (N Mounting Type only)

