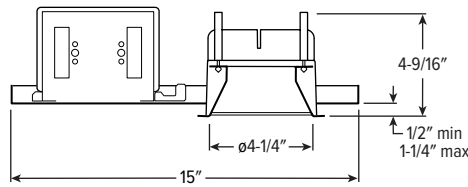
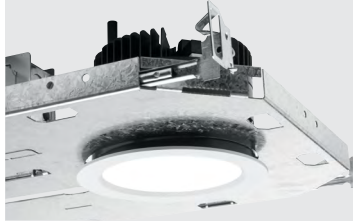


# 4PR LED 4.5" Shallow Plenum Downlight – Round



CATALOG #: \_\_\_\_\_

TYPE: \_\_\_\_\_

PROJECT: \_\_\_\_\_

## NEW CONSTRUCTION AND REMODEL

### FEATURES

#### TrimLock®

- Innovative TrimLock reflector retention system ensures trim remains flush with ceiling plane
- Die cast trim with flush lens provides glare-free illumination for a soft ceiling appearance
- Industry-leading efficacies as high as 100 lm/W – ENERGY STAR® certified
- Fully room-side accessible

### SPECIFICATIONS

- HOUSING** – Spun housing with forged aluminum heat sink. Galvanized steel splice compartment with driver mounting plate/enclosure. Mounting clips allow for ceiling thickness from 1/2" – 1-1/4" (consult factory for additional ceiling thicknesses).
- TRIMLOCK** – Innovative TrimLock reflector retention system ensures the trim remains flush with the ceiling plane.
- LENSED TRIM** – Die-cast aluminum frame with micro-prismatic, tempered glass lens.
- ELECTRICAL** – High-performance Class 2 C.O.B. LED array. Modular quick-connect plug for easy field-connection of LED light assembly to driver. Reported L70>55,000 hours. Reported L90>55,000 hours. Estimated L70 = 200,000 hours.
- MOUNTING** – Recessed. 20 ga. galvanized steel mounting pan for new construction or IC-rated enclosure. Remodel kit option includes receiver bracket hardware. Minimum 24" O.C. marked spacing required for L30 lumen package.
- LISTINGS** –
  - cCSAus conforms to UL STD 1598; Certified to CAN/CSA STD C22.2 No. 250.0 for damp locations. LED light assembly conforms to UL 2108 for remote installation.
  - Suitable for wet location under covered ceiling when specified with WET/CC option.
  - ENERGY STAR® certified in select configurations, see [www.energystar.gov](http://www.energystar.gov)
  - IC-rated for direct contact with insulation when specified with I Mounting Type.
  - City of Chicago Environmental Air approved when specified with CP option.
  - Complies with ASTM-E283 when specified with ATH option.
  - RoHS compliant.
- WARRANTY** – 5-year limited warranty, see [hew.com/warranty](http://hew.com/warranty).

ORDERING EXAMPLE: 4PR - TL - L20/835 - OPTIONS - DIM - UNV - LW - OF - WH - TRIM OPTIONS - N - F1

### HOUSING

SERIES	LUMENS <sup>[1]</sup>	CRI	CCT	OPTIONS	CONTROL <sup>[2]</sup>	VOLTAGE
4PR - TL	L10 1,000lm	8 80	27 2700K	ATH Airtight construction	DIM Dimming driver, 0-10V	UNV 120-277V
TrimLock	L15 1,500lm	9 90 <sup>[3]</sup>	30 3000K	CP Chicago plenum (CCEA) <sup>[4]</sup>	DIM1 1% Dimming driver, 0-10V	347 347V <sup>[6]</sup>
	L20 2,000lm		35 3500K	F Fuse kit		
	L30 3,000lm		40 4000K 50 5000K	SDT Stepdown transformer <sup>[5]</sup>		
				EM/7W 7-watt emergency battery <sup>[7]</sup>		
				EM/10W 10-watt emergency battery <sup>[8]</sup>		
				EM/10W/RTS 10-watt emergency battery with regressed test switch <sup>[9]</sup>		

### TRIM<sup>[10]</sup>

TRIM TYPE	DISTRIBUTION <sup>[11]</sup>	FLANGE TYPE	REFLECTOR FINISH	TRIM OPTIONS
L Flush lens	W 65° Wide	OF 1/2" standard flange	CS Clear semi-specular powder coat	IP IP65 rated trim
A Angled lens <sup>[12]</sup>	M 35° Medium	SF 1/4" mud-in flange <sup>[14]</sup>	WH White texture powder coat	AD Diffuse acrylic lens <sup>[15]</sup>
S Non-conductive flush lens for shower applications <sup>[13]</sup>	N 25° Narrow		BL Black texture powder coat	PD Diffuse 1/8" polycarbonate lens <sup>[16]</sup>
				WET/CC Wet location, covered ceiling listed
				AM Anti-microbial <sup>[17]</sup>

### MOUNTING

#### MOUNTING TYPE<sup>[18]</sup>

- N Open pan for new construction
- I IC-rated enclosure for new construction<sup>[20]</sup>
- R Remodel kit<sup>[21]</sup>

#### MOUNTING HARDWARE<sup>[19]</sup>

- F1 Integral 2-position fixed pan bracket, universal bar hanger included<sup>[22]</sup>
- BA1 Adjustable butterfly pan bracket, bar hanger not included<sup>[23]</sup>
- CA1 Adjustable caterpillar pan bracket, universal bar hanger included<sup>[24]</sup>

### NOTES

- Lumen output based on L trim type, W distribution and WH finish, 3500K/80CRI. Actual lumens may vary +/-5%. See page 2 for FIXTURE PERFORMANCE DATA.
- See page 3 for ADDITIONAL CONTROL OPTIONS.
- Extended lead times may apply. Consult factory for availability.
- I Mounting Type required.
- May be required for 347V, see product builder at [hew.com/product-builder](http://hew.com/product-builder)
- Not available with EM batteries or DMX controls.
- N and R Mounting Types only.
- N and R Mounting Types only.
- Not available with WET/CC, ATH or IP options. N and R Mounting Types only. See page 4 for EM/10W/RTS DETAILS.
- Trim ships separately.
- Beam angle based on WH reflector finish and L Trim Type.
- Wide distribution only. Diffuse acrylic lens standard.
- W Distribution, OF Flange Type, and WH Reflector Finish only. Standard with AD diffuse acrylic lens. IP and WET/CC options standard.
- For use with mud-in plaster construction only, supplied with mud flange installation kit. See page 3 for FLANGE TYPE DETAILS. Not available with ATH or IP options.
- L Trim Type only. W distribution only.
- W distribution only.
- WH and BL Reflector Finishes only. Not available with S Trim Type.
- Mounting hardware required (N and I only), ordered separately, see MOUNTING HARDWARE ordering info. See page 4 for MOUNTING TYPE DETAILS.
- Specify for N and I Mounting Types only. Additional mounting hardware options available. See page 5 for MOUNTING HARDWARE DETAILS.
- L20 lumen package max.
- Also used in new construction sheetrock ceilings.
- N and I Mounting Types only.
- N Mounting Type only.
- N Mounting Type only.



# 4PR LED 4.5" Shallow Plenum Downlight – Round

## FIXTURE PERFORMANCE DATA

	DISTRIBUTION	DELIVERED LUMENS	WATTAGE	EFFICACY (lm/W)
L10	W	921	10.7	85.9
	M	1072	10.7	100.0
	N	1064	10.7	99.2
L15	W	1405	16.7	84.1
	M	1636	16.7	97.9
	N	1624	16.7	97.1
L20	W	1830	22.8	80.4
	M	2130	22.8	93.6
	N	2114	22.8	92.9
L30	W	3127	46.6	67.1
	M	3538	46.6	75.9
	N	3516	46.6	75.5

## MULTIPLIER TABLES

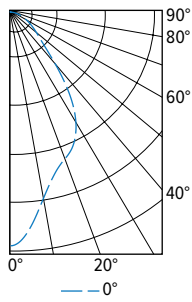
	COLOR TEMPERATURE		
	CCT	CONVERSION FACTOR	
80 CRI	2700K	0.92	
	3000K	0.98	
	3500K	1.00	
	4000K	1.01	
90 CRI	2700K	0.76	
	3000K	0.79	
	3500K	0.82	
	4000K	0.84	
		5000K	0.88

TRIM	
CATALOG NUMBER	CONVERSION FACTOR
S	0.85
AD	0.85
PD	0.85

- Photometrics tested in accordance with IESNA LM-79. Results shown are based on 25°C ambient temperature.
- Wattage shown is based on 120V input.
- Results based on 3500K, 80 CRI, actual lumens may vary +/-5%
- Use multiplier tables to calculate additional options.

## PHOTOMETRY

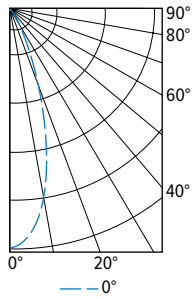
4PR-TL-L20/835-DIM-UNV-LW-OF-WH Report #: 12316380.29; 06/12/18 | Total Luminaire Output: 1830 lumens; 22.8 Watts | Efficacy: 80.4 lm/W | 82.7 CRI; 3565K CCT



CANDLEPOWER DISTRIBUTION	VERTICAL ANGLE	HORIZONTAL ANGLE	ZONAL LUMENS
		0°	
	0	1465	
	5	1365	91
	15	1057	167
	25	926	222
	35	663	187
	45	304	10
	55	178	73
	65	104	45
	75	52	22
	85	13	4
	90	2	

LUMEN SUMMARY	ZONE	LUMENS	% FIXTURE
	0 - 40	1253	69
	0 - 60	1656	91
	0 - 90	1830	100
	0-180	1830	100

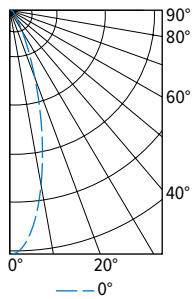
4PR-TL-L20/835-DIM-UNV-LM-OF-WH Report #: 12316380.31; 06/13/18 | Total Luminaire Output: 2130 lumens; 22.8 Watts | Efficacy: 93.6 lm/W | 82.7 CRI; 3560K CCT



CANDLEPOWER DISTRIBUTION	VERTICAL ANGLE	HORIZONTAL ANGLE	ZONAL LUMENS
		0°	
	0	5004	
	5	4751	315
	15	2968	390
	25	1007	187
	35	302	79
	45	125	42
	55	64	26
	65	37	16
	75	19	8
	85	5	2
	90	1	

LUMEN SUMMARY	ZONE	LUMENS	% FIXTURE
	0 - 40	1910	90
	0 - 60	2067	97
	0 - 90	2130	100
	0-180	2130	100

4PR-TL-L20/835-DIM-UNV-LN-OF-WH Report #: 12316380.32; 06/13/18 | Total Luminaire Output: 2114 lumens; 22.8 Watts | Efficacy: 92.9 lm/W | 82.6 CRI; 3545K CCT



CANDLEPOWER DISTRIBUTION	VERTICAL ANGLE	HORIZONTAL ANGLE	ZONAL LUMENS
		0°	
	0	7096	
	5	6408	398
	15	3003	366
	25	802	144
	35	222	59
	45	105	37
	55	63	26
	65	38	17
	75	19	8
	85	4	1
	90	1	

LUMEN SUMMARY	ZONE	LUMENS	% FIXTURE
	0 - 40	1912	90
	0 - 60	2051	97
	0 - 90	2114	100
	0-180	2114	100



# 4PR LED 4.5" Shallow Plenum Downlight – Round

## ADDITIONAL CONTROL OPTIONS

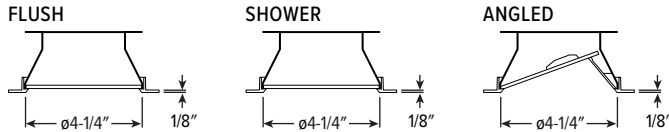
Lumen restrictions apply: L20 max for DMX driver, L20 max for Lutron drivers, L30 max for DIM LINE driver. 347V may require stepdown transformer, see product builder at [hew.com/product-builder](http://hew.com/product-builder).

CATALOG NUMBER	DESCRIPTION
DIM	Dimming driver prewired for 0-10V low voltage applications
DIM1	1% dimming driver prewired for 0-10V low voltage applications
DIM LINE	Line voltage dimming driver (TRIAC and ELV compatible at 120V only)
DMX	0.1% dimming driver for DMX controls
LTE LINE	Lutron Hi-lume 1% 2-wire dimming driver forward phase line voltage controls (120V only)
LDE1	Lutron Hi-lume 1% EcoSystem dimming LED driver
LDE5	Lutron 5-Series 5% EcoSystem dimming LED driver
VRF/DSR	Lutron Vive integral fixture control, RF only (DFCSJ-OEM-RF) and sensor-ready driver
VRF/DBI/LDE1	Lutron Vive integral fixture control, RF only (DFCSJ-OEM-RF), Lutron Hi-lume 1% EcoSystem dimming LED driver, and digital link interface
VRF/DBI/LDE5	Lutron Vive integral fixture control, RF only (DFCSJ-OEM-RF), Lutron 5-Series 5% EcoSystem dimming LED driver, and digital link interface
FCJS/DIM	Lutron Vive PowPak wireless fixture control with dimming driver
FCJS/DIM1	Lutron Vive PowPak wireless fixture control with 1% dimming driver
ELDO SOLOB	EldoLED Solodrive, 0.1% dimming driver for 0-10V controls
ELDO SOLOB DALI	EldoLED Solodrive, 0.1% dimming driver for DALI controls
ELDO ECO1	EldoLED Ecodrive, 1% dimming driver for 0-10V controls
ELDO ECO1 DALI	EldoLED Ecodrive, 1% dimming driver for DALI controls

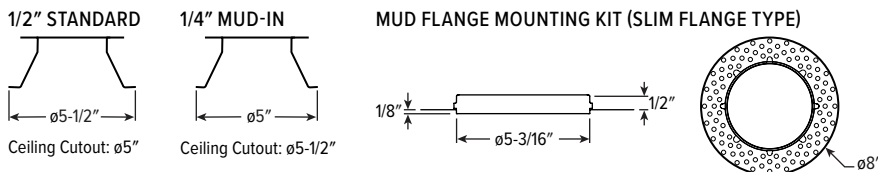
## TRIMLOCK DETAILS



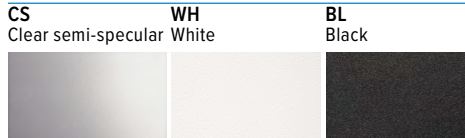
## TRIM TYPE DETAILS



## FLANGE TYPE DETAILS



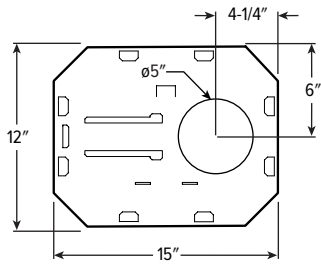
## REFLECTOR FINISH DETAILS



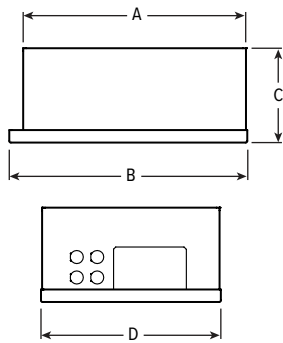
# 4PR LED 4.5" Shallow Plenum Downlight – Round

## MOUNTING TYPE DETAILS

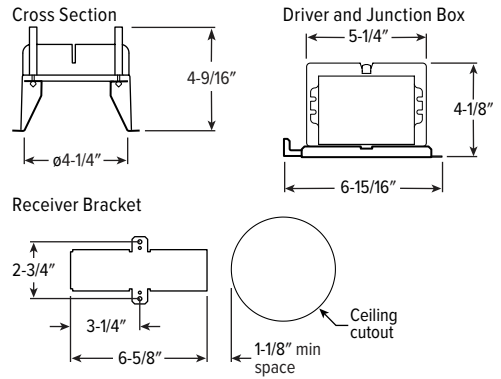
### NEW CONSTRUCTION



### IC-RATED

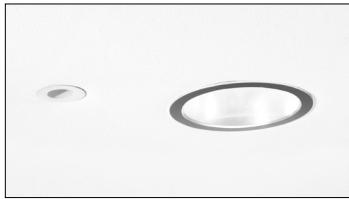


### REMODEL

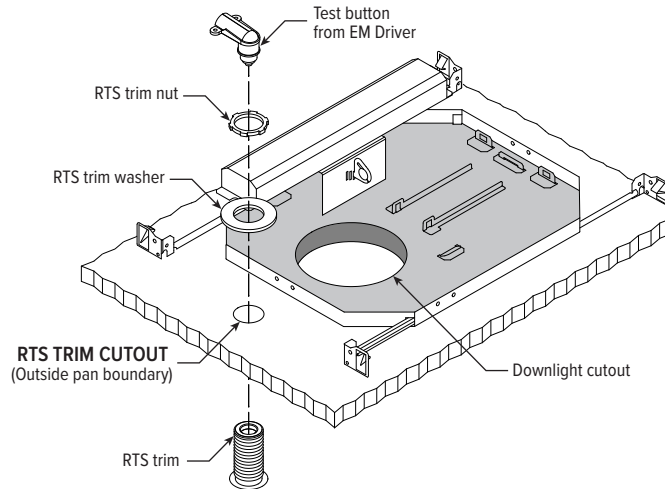


LUMENS	LENGTH			
	A	B	C	D
L10 - L20	15-1/16"	16"	4-1/2"	12-1/8"

## EM/10W/RTS DETAILS



Shown Installed

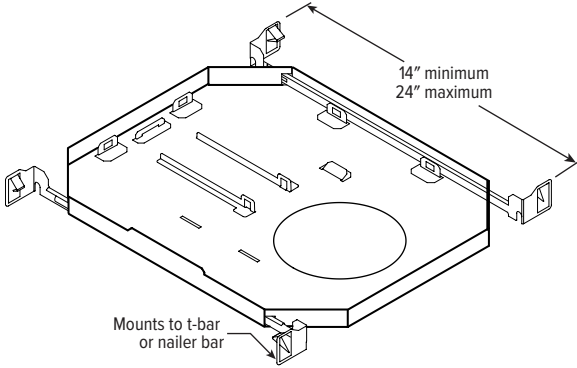


# 4PR LED

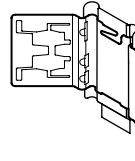
## 4.5" Shallow Plenum Downlight – Round

### MOUNTING HARDWARE DETAILS

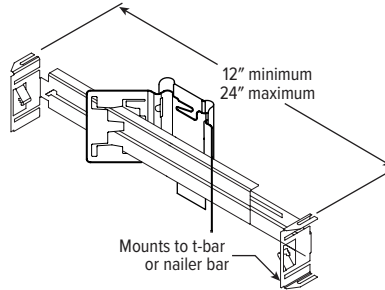
**F1** Integral 2-position fixed pan bracket, universal bar hanger included



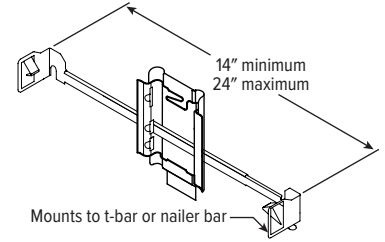
**BA1** Adjustable butterfly pan bracket, bar hanger not included (N Mounting Type only)



**BA2** Adjustable butterfly pan bracket, heavy-duty universal bar hanger included (N Mounting Type only)



**CA1** Adjustable caterpillar pan bracket, universal bar hanger included (N Mounting Type only)



**CA2** Adjustable caterpillar pan bracket, t-bar hanger included (N Mounting Type only)

