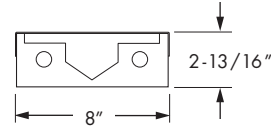
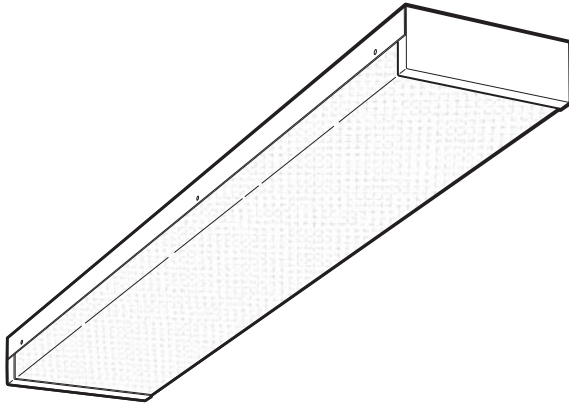


8" WIDE VANDAL WRAP

SERIES **V8**
 T5 & T8
 JOB _____
 TYPE _____
 VOLTAGE _____



SPECIFICATIONS

- HOUSING – 20-gauge die-formed C.R.S. standard – 16-gauge C.R.S. housing optional.
- SHIELDING – .130" thick acrylic lens with 50% DR additive standard – .156" thick polycarbonate lens optional. Lens is secured to housing with six #8-32 x 3/4" tamper-resistant tri-groove screws.
- FINISH – 92% minimum average reflective white powder coat with multi-stage iron/phosphate prepared metal.
- ELECTRICAL – Electronic ballast standard, instant start T8, programmed start T5, rated Class P.
- LABELS – UL/CUL listed as fluorescent luminaire suitable for dry or damp locations. Wet location under covered ceilings optional.
- MOUNTING – Surface.

FEATURES

- Ideal for schools, hallways, dormitories, locker rooms, or any other vandal prone areas.
- Heavy-gauge C.R.S. housing designed to withstand harsh environments.
- Tamper-resistant screws protect against vandals.
- Steel end caps envelop diffuser for added strength and durability.
- Surface mount to ceilings or walls.
- All parts painted after fabrication to facilitate installation, increase efficiency, and inhibit corrosion.
- This fixture is proudly made in the USA.

ORDERING INFORMATION

Submittal

EXAMPLE: **V8** **20** - **4** - **2** **32** - **DR** - **OPTIONS** - **EB2** - **UNV**

SERIES	
V8	Vandal Wrap, 8" wide
HOUSING	
16	16-gauge C.R.S.
20	20-gauge C.R.S.
NOMINAL LENGTH	
4	4'
TOTAL LAMPS	
2	

LAMP WATTAGE/TYPE	
28T5S	4', 28-watt T5
32	4', 32-watt T8
54T5H ¹	4', 54-watt T5HO
SHIELDING	
DR	Acrylic, 50% DR additive, .130" thick
PC	Polycarbonate lens, .156" thick
OPTIONS	
WET/CC	Wet location under covered ceiling

BALLAST TYPE	
EB2	2-lamp electronic ballast
VOLTAGE	
120	120V
208	208V
240	240V
277	277V
UNV	120 - 277V
347	347V
480	480V (T5 only)
HRV	347 - 480V (T5 only)

Specify voltage (not UNV or HRV) if using modular wiring, cord & plug, or occupancy sensor.

¹ Consult factory for maximum ambient temperature parameters.

Note: For more options/accessories, ballast combinations, and product details, please consult factory.

Tamper-resistant tool ordered as a separate line item: Tamper Proof Tool (tri-groove).



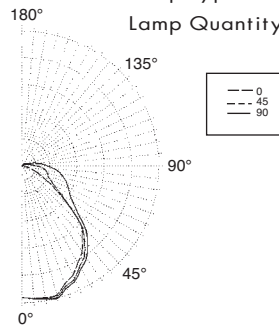
FLUORESCENT LIGHTING

Williams Catalog #V820-4-232-DR-EB2-120
Test Report #12721.0, Dated 06/09/05

Lamp Type: F32T8/835
Lamp Quantity: 2

CANDLEPOWER DISTRIBUTION

VERT. ANG.	HORIZONTAL ANGLE			ZONAL LUMENS
	0	45	90	
0	1772.	1772.	1772.	
5	1783.	1787.	1789.	170.6
15	1799.	1823.	1839.	516.1
25	1624.	1672.	1700.	772.1
35	1413.	1472.	1517.	922.7
45	1124.	1141.	1224.	902.0
55	563.	624.	837.	598.8
65	266.	412.	691.	437.9
75	103.	346.	584.	357.3
85	38.	275.	439.	269.2
90	4.	208.	350.	



LUMEN SUMMARY

ZONE	LUMENS	% LAMP	% FIXTURE
0 - 30	1459.	24.7	27.6
0 - 40	2382.	40.4	45.1
0 - 60	3882.	65.8	73.5
0 - 90	4947.	83.8	93.6
90 - 120	281.	4.8	5.3
90 - 130	305.	5.2	5.8
90 - 150	332.	5.6	6.3
90 - 180	336.	5.7	6.4
0 - 180	5283.	89.5	100.0

ZONAL CAVITY COEFFICIENTS

EFFECTIVE FLOOR CAVITY REFL. = .20

CEILING WALL RCR	.80			.70			.50		
	.70	.50	.30	.70	.50	.30	.50	.30	.10
0	105	105	105	102	102	102	.96	.96	.96
1	.96	.92	.88	.93	.89	.86	.84	.81	.79
2	.88	.81	.75	.85	.79	.73	.75	.70	.66
3	.81	.72	.65	.78	.70	.64	.67	.61	.57
4	.75	.64	.57	.72	.63	.56	.60	.54	.49
5	.68	.57	.50	.66	.56	.49	.54	.47	.43
6	.63	.52	.44	.61	.51	.43	.49	.42	.37
7	.58	.47	.39	.57	.46	.39	.44	.38	.33
8	.54	.42	.35	.52	.41	.34	.40	.33	.29
9	.50	.38	.31	.48	.37	.30	.36	.29	.25
10	.46	.34	.27	.45	.34	.27	.32	.26	.22

TOTAL LUMINAIRE

OPTICAL EFFICIENCY = 89.5%

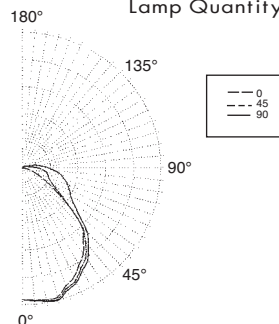
SPACING CRITERIA: END = 1.3 DIAG. = 1.3 ACROSS = 1.3

Williams Catalog #V820-4-232-PC-EB2-120
Test Report #12692.0, Dated 06/08/05

Lamp Type: F32T8/835
Lamp Quantity: 2

CANDLEPOWER DISTRIBUTION

VERT. ANG.	HORIZONTAL ANGLE			ZONAL LUMENS
	0	45	90	
0	1433.	1433.	1433.	
5	1442.	1445.	1447.	137.9
15	1455.	1474.	1487.	417.3
25	1313.	1352.	1375.	624.4
35	1143.	1190.	1227.	746.1
45	909.	925.	990.	729.4
55	455.	505.	677.	484.2
65	215.	333.	559.	354.1
75	83.	280.	472.	288.9
85	31.	222.	355.	217.7
90	3.	168.	283.	



LUMEN SUMMARY

ZONE	LUMENS	% LAMP	% FIXTURE
0 - 30	1180.	20.0	27.6
0 - 40	1926.	32.6	45.1
0 - 60	3139.	53.2	73.5
0 - 90	4000.	67.8	93.6
90 - 120	227.	3.8	5.3
90 - 130	247.	4.2	5.8
90 - 150	268.	4.5	6.3
90 - 180	272.	4.6	6.4
0 - 180	4272.	72.4	100.0

ZONAL CAVITY COEFFICIENTS

EFFECTIVE FLOOR CAVITY REFL. = .20

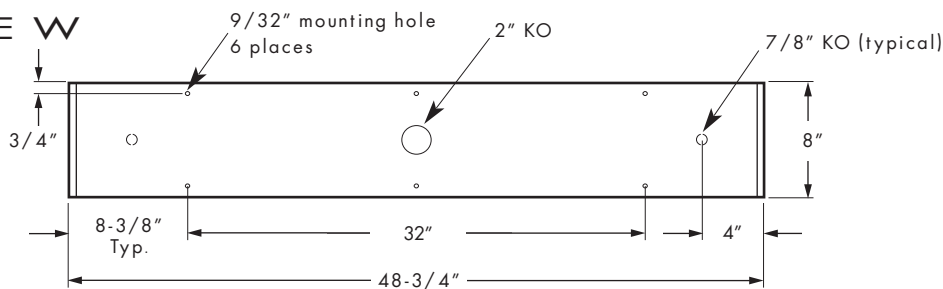
CEILING WALL RCR	.80			.70			.50		
	.70	.50	.30	.70	.50	.30	.50	.30	.10
0	85	85	85	83	83	83	.78	.78	.78
1	.78	.74	.71	.75	.72	.69	.68	.66	.64
2	.71	.65	.61	.69	.64	.59	.60	.57	.53
3	.65	.58	.53	.63	.57	.52	.54	.50	.46
4	.60	.52	.46	.58	.51	.45	.48	.44	.40
5	.55	.46	.40	.54	.45	.40	.43	.38	.34
6	.51	.42	.36	.50	.41	.35	.39	.34	.30
7	.47	.38	.32	.46	.37	.31	.35	.30	.27
8	.44	.34	.28	.42	.33	.28	.32	.27	.23
9	.40	.31	.25	.39	.30	.24	.29	.24	.20
10	.37	.28	.22	.36	.27	.22	.26	.21	.18

TOTAL LUMINAIRE

OPTICAL EFFICIENCY = 72.4%

SPACING CRITERIA: END = 1.3 DIAG. = 1.3 ACROSS = 1.3

BACK VIEW



H.E. WILLIAMS, INC.