

T5 SUSPENDED DIRECT/INDIRECT

SDI5

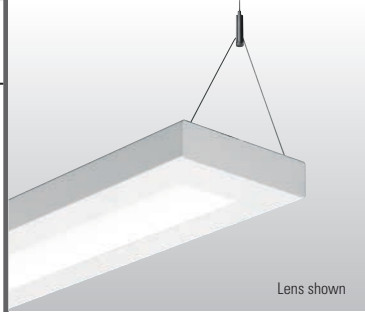
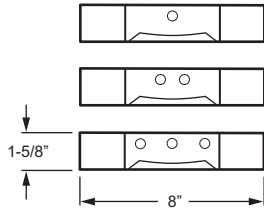
CATALOG #:	TYPE:	T5
PROJECT:	NOTES:	

EXAMPLE

SDI5 - 4 - 2 28T5S - F - 144W/MWA - ACY/D48 - OPTIONS - EB2 - UNV

SERIES NOMINAL LENGTH TOTAL LAMPS WATTAGE/TYPE FIXTURE TYPE SHIELDING MOUNTING OPTIONS/ACCESSORIES BALLAST TYPE VOLTAGE

CROSS SECTIONS



ORDERING INFORMATION

SERIES
SDI5 T5 Suspended Direct/Indirect Version 5

NOMINAL LENGTH
4 4'
8 8'

TOTAL LAMPS
1, 2, 3, 4, or 6 (1-, 2-, or 3-lamp cross-section)

LAMP WATTAGE/TYPE
28T5S 4', 28-watt T5 (1- or 2-lamp ballast[s] only)
54T5H 4', 54-watt T5HO

FIXTURE TYPE
F Electrical feeder unit, 3-conductor, straight white cord standard (wire gauge to be determined by row length), quick-connect wiring harness, two end caps included
J Joiner unit, quick-connect wiring harness
S Stand-alone unit, straight white cord standard (wire gauge to be determined by row length), two end caps included

SHIELDING
144W/MWA 7/16" deep, 44-cell cross-blade louver with matte white acrylic overlay (standard)
KSH-25/A Linear prismatic acrylic lens, .110" thick

MOUNTING
See page 2 for details.

EXAMPLE: ACY/D48		
MOUNTING	TYPE	LENGTH
ACY/ = Aircraft	D = 1' grid & hardpan	24 = 24"
	N = 9/16" grid	48 = 48"
	S = Slot grid	96 = 96"

OPTIONS
For EM ballast options consult factory.
LC Low ceiling
C2_ Two-circuit quick-connect wiring harness. See [Technical Info](#) for complete quick-connect offering.

ACCESSORIES
90° SDI5 corner assembly must be ordered separately. See back for details.
DUSTCOVER Clear acrylic over fixture

BALLAST TYPE
EB1 1-lamp electronic ballast
EB2 2-lamp electronic ballast
EB3 3-lamp electronic ballast
EB4 4-lamp electronic ballast
EB2/1 (1) 2-lamp and (1) 1-lamp electronic ballast
EB3/3 (2) 3-lamp electronic ballasts
EB4/2 (1) 4-lamp and (1) 2-lamp electronic ballast

VOLTAGE
120 120V
277 277V
UNV 120-277V
347 347V

FEATURES

- ▶ Up to 93.4% optical efficiency.
- ▶ Standard distribution of 25% down, 75% up for a blend of direct/indirect lighting.
- ▶ Optional 90° corners allow continuous runs around corners (see back for details).
- ▶ Self-aligning joining method ensures straight, continuous rows.
- ▶ Matte white acrylic overlay above the louver is standard.
- ▶ Optional dust cover hinders dirt and dust from entering fixture.
- ▶ Optional linear prismatic acrylic lens available for wide distribution.
- ▶ This fixture is proudly made in the USA.



T5

PHOTOMETRY

SDI5-4-228T5S-F-144W/MWA Report #: 13155.0; 06/26/06; Lamp Type: FP28T5/835; Lamp Quantity: 2
 Total Luminaire Optical Efficiency: 93.4% | Effective Floor Cavity Reflectance = .20 | Spacing Criteria: End = 1.2, Diagonal = 1.2, Across = 1.3

SPECIFICATIONS

Housing – 20-gauge die-formed C.R.S.

Reflective Surfaces – 92% minimum average reflective white polyester powder coat on interior components.

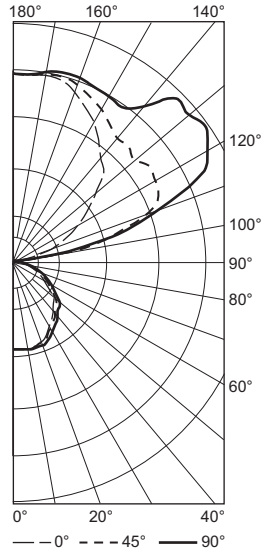
Shielding – Textured matte white polyester powder coated aluminum cross-blade louver, 7/16" deep, 1" spacing, 1 x 44-cell, with acrylic overlay.

Finish – Textured matte white polyester TGIC powder coat bonded to phosphate-free, multi-stage pretreated metal. All parts painted after fabrication to facilitate installation, increase efficiency, and inhibit corrosion.

Electrical – Electronic ballast standard, program start T5, rated Class P.

Mounting – Suspended. 1/16" diameter adjustable steel leveling aircraft cable with two-point "Y" connector and mounting hardware provided.

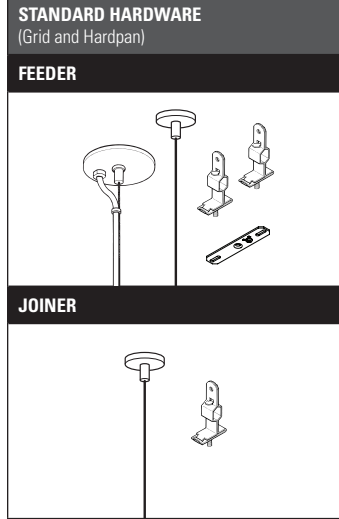
Labels – UL/CUL listed as fluorescent luminaire suitable for dry or damp locations.



Vertical Angle	Horizontal Angle			Zonal Lumens
	0°	45°	90°	
0	470	470	470	
5	470	473	473	45.0
15	455	461	471	131.1
25	411	421	438	195.6
35	351	364	387	230.1
45	290	306	335	239.4
55	189	212	239	190.6
65	107	132	152	129.4
75	33	57	63	55.8
85	0	6	5	5.6
90	0	0	1	
95	33	74	29	71.5
105	159	558	608	510.8
115	318	844	1117	762.9
125	483	872	1238	771.7
135	664	855	1215	703.3
145	778	883	993	555.1
155	893	954	1009	440.3
165	985	1007	1031	285.5
175	991	991	991	94.6
180	993	993	993	

Zone	Lumens	% Lamp	% Fixture
0 - 30	372	6.4	6.9
0 - 40	602	10.4	11.1
0 - 60	1032	17.8	19.0
0 - 90	1223	21.1	22.6
90 - 120	1345	23.2	24.8
90 - 130	2117	36.5	39.1
90 - 150	3375	58.2	62.3
90 - 180	4196	72.3	77.4
0 - 180	5418	93.4	100.0

ZONAL CAVITY COEFFICIENTS									
Ceiling	.80			.70			.50		
Wall	.70	.50	.30	.70	.50	.30	.50	.30	.10
0	.94	.94	.94	.83	.83	.83	.64	.64	.64
1	.86	.82	.79	.76	.73	.70	.56	.54	.53
2	.78	.72	.67	.69	.64	.60	.49	.46	.44
3	.72	.63	.57	.63	.57	.51	.44	.40	.37
4	.65	.56	.49	.58	.50	.44	.39	.35	.32
5	.60	.50	.43	.53	.45	.38	.35	.30	.27
6	.55	.45	.37	.49	.40	.34	.31	.27	.24
7	.51	.40	.33	.45	.36	.30	.28	.24	.21
8	.47	.36	.29	.42	.32	.27	.25	.21	.18
9	.44	.33	.26	.39	.29	.24	.23	.19	.16
10	.31	.30	.24	.36	.27	.21	.21	.17	.14

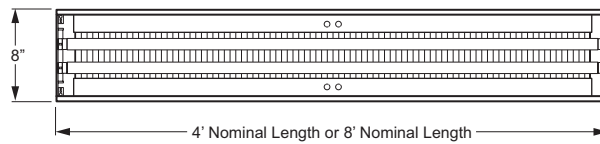


Notes:

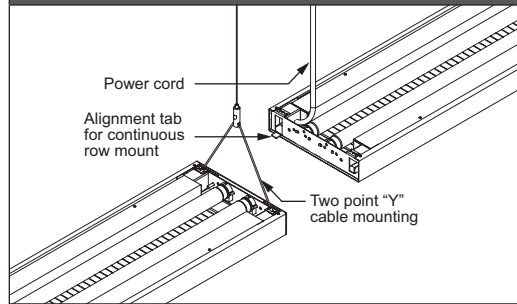
- Fixtures are provided with adjustable length aircraft cables with two-point "Y" connectors and mounting hardware, must specify.
- Electrical supply is brought into the feeder fixture, either as part of a row or as a stand-alone unit. Joiner fixtures complete the row.

FIXTURE DETAILS

BACK VIEW

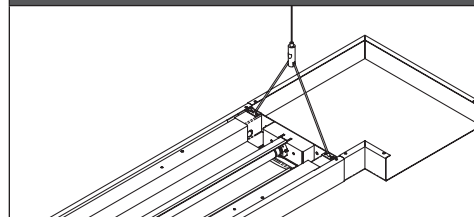


CONTINUOUS ROW DETAILS



For continuous row mount, suspend fixture using aircraft cable at every fixture intersection and at both ends. Make the electrical connections using the plug-in wiring harness (provided). Install end plates on each end of the continuous row. Depending on installation method, cable mounting may require additional counter-weights due to side-mounted driver.

90° CORNER ASSEMBLY (FOR CONTINUOUS ROW INSTALLATIONS)



Housing – 22-gauge die-formed, welded C.R.S.
Finish – Textured matte white polyester TGIC powder coat bonded to phosphate-free, multi-stage pretreated metal.

Example: SDI5 CORNER-FWT