

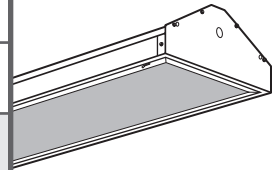
SUBMITTAL:

T5

JOB:

TYPE:

VOLTAGE:



EXAMPLE → **GLS - 4 - 6 54T5H - F CHA118 - OPTIONS - EB4/2 - UNV**

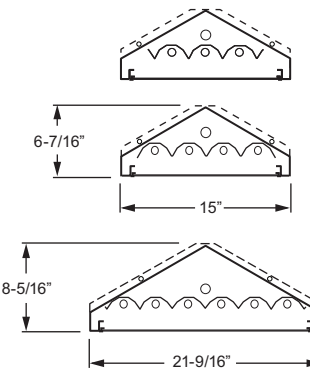
SERIES NOMINAL LENGTH TOTAL LAMPS WATTAGE/TYPE DOOR FRAME SHIELDING OPTIONS/ACCESSORIES BALLAST TYPE VOLTAGE



FEATURES

- ▶ Designed with an angled back and flangeless sides that diminish dust build-up on the fixture housing.¹
- ▶ Optional energy-saving occupancy sensors available, see Fluorescent Information section.
- ▶ Includes double-gasketed lens to reduce, not prevent, dust entry into the fixture.¹
- ▶ High-performance highly specular reflector system standard.
- ▶ Clear acrylic lens standard, other shielding options available.
- ▶ Heavy-gauge aluminum housing for maximum heat dissipation and extended ballast life.
- ▶ This fixture is proudly made in the USA.

¹ The GLS is not rated as a dust-tight fixture.



SPECIFICATIONS

Housing – .040” die-formed aluminum housing.
Door Frame – Extruded aluminum, double-gasketed door frame. T-slot steel hinge allows reversible hinging and latching.
Reflector – Precision-formed 95% reflective highly specular aluminum.
Shielding – Clear, high-temperature, non-prismatic acrylic, .118” thick.
Finish – 92% minimum average reflective white polyester powder coat bonded to phosphate-free, multi-stage pretreated metal. All parts painted after fabrication to facilitate installation, increase efficiency, and inhibit corrosion.
Electrical – Electronic ballast standard, program start T5, rated Class P.
Mounting – Suspended (see options in ordering information).
Labels – UL/CUL listed as fluorescent luminaire suitable for dry or damp locations.

ORDERING INFORMATION

SERIES

GLS Sloped Industrial

NOMINAL LENGTH

4 4’

TOTAL LAMPS

3, 4, or 6

LAMP WATTAGE/TYPE

28T5S 4’, 28-watt T5
54T5H 4’, 54-watt T5HO

DOOR FRAME

F White flat aluminum

SHIELDING

CHA118 Clear, high-temperature, non-prismatic acrylic, .118” thick (standard)
A12125 Acrylic, pattern #12, .125” thick
PC12125 Polycarbonate, pattern #12, .125” thick

OPTIONS/ACCESSORIES

For generic **EM ballast** and **occupancy sensor** options (must specify voltage), see Fluorescent Information section. See Fluorescent Information section for accessories.

WHITE REFL White reflector
VBY (2) Y-hangers
VBY-3 (2) Y-hangers and (2) 3’ chains
HUB MT 3/4” Cast iron hub and junction box for single 3/4” pendant mount (shipped not attached)

OPTIONS/ACCESSORIES (Continued)

S7238/B 72” cord, 3-conductor, No. 18 AWG, black
6CPI/L5-15P/TWLK 6’ cord and NEMA twistlock 15 AMP plug, 120V
6CPI/L7-15P/TWLK 6’ cord and NEMA twistlock 15 AMP plug, 277V
WG11 11-gauge wireguard, white powder coated

BALLAST TYPE

EB3 3-lamp electronic ballast
EB4 4-lamp electronic ballast
EB2/1 (1) 2-lamp and (1) 1-lamp electronic ballast
EB2/2 (2) 2-lamp electronic ballasts
EB3/3 (2) 3-lamp electronic ballasts
EB4/2 (1) 4-lamp and (1) 2-lamp electronic ballast

VOLTAGE

Must specify voltage (not UNV or HRV) if using modular wiring, cord and plug, or occupancy sensor.

120 120V
208 208V
240 240V
277 277V
UNV 120-277V
347 347V
480 480V (T5HO only)
HRV 347-480V (T5HO only)

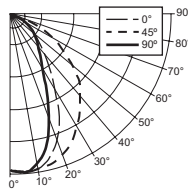
T5

PHOTOMETRY – 4 LAMPS

Catalog #: **GLS-4-454T5H-FCHA118**

TEST REPORT INFORMATION

- ▶ Test Report #: 13075.0
- ▶ Date: 04/28/06
- ▶ Lamp Type: FP54T5H0/835
- ▶ Lamp Quantity: 4



LUMEN SUMMARY

Zone	Lumens	% Lamp	% Fixture
0 - 30	5951.	29.8	42.1
0 - 40	8704.	43.5	61.5
0 - 60	12706.	63.5	89.8
0 - 90	14146.	70.7	100.0
Total Luminaire:			
0 - 180	14146.	70.7	100.0

Total Luminaire Optical Efficiency: **70.7%**
IES Spacing Criteria: End = 1.2, Diagonal = 1.0, Across = 0.8

CANDLEPOWER DISTRIBUTION

Vertical Angle	Horizontal Angle			Zonal Lumens
	0°	45°	90°	
0	8363.	8363.	8363.	
5	8466.	8492.	8505.	809.8
15	8305.	8004.	7403.	2251.8
25	7656.	6245.	4729.	2888.9
35	6493.	3880.	2913.	2753.2
45	5291.	2338.	2116.	2328.1
55	3592.	1502.	1515.	1674.2
65	2064.	979.	849.	1058.0
75	692.	339.	182.	353.3
85	26.	26.	26.	28.4
90	0.	0.	0.	

ZONAL CAVITY COEFFICIENTS

Room Cavity Ratio	Ceiling			Wall			Floor		
	.80	.70	.50	.80	.70	.50	.80	.70	.50
0	.84	.84	.84	.82	.82	.82	.79	.79	.79
1	.79	.77	.74	.77	.75	.73	.72	.70	.69
2	.74	.69	.66	.72	.68	.65	.66	.63	.60
3	.69	.63	.58	.67	.62	.58	.60	.56	.53
4	.64	.57	.52	.62	.56	.51	.54	.50	.47
5	.59	.51	.46	.58	.51	.46	.49	.45	.42
6	.55	.47	.42	.54	.46	.41	.45	.41	.37
7	.51	.43	.38	.50	.42	.37	.41	.37	.33
8	.48	.39	.34	.47	.39	.34	.38	.33	.30
9	.44	.36	.30	.43	.35	.30	.34	.30	.27
10	.41	.33	.27	.40	.32	.27	.32	.27	.24

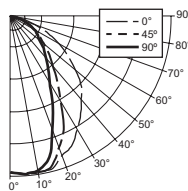
Effective Floor Cavity Reflectance = .20

PHOTOMETRY – 6 LAMPS

Catalog #: **GLS-4-654T5H-FCHA118**

TEST REPORT INFORMATION

- ▶ Test Report #: 13073.0
- ▶ Date: 04/28/06
- ▶ Lamp Type: FP54T5H0/835
- ▶ Lamp Quantity: 6



LUMEN SUMMARY

Zone	Lumens	% Lamp	% Fixture
0 - 30	9177.	30.6	40.4
0 - 40	13581.	45.3	59.8
0 - 60	20230.	67.4	89.1
0 - 90	22704.	75.7	100.0
Total Luminaire:			
0 - 180	22704.	75.7	100.0

Total Luminaire Optical Efficiency: **75.7%**
IES Spacing Criteria: End = 1.2, Diagonal = 1.0, Across = 0.9

CANDLEPOWER DISTRIBUTION

Vertical Angle	Horizontal Angle			Zonal Lumens
	0°	45°	90°	
0	12392.	12392.	12392.	
5	12513.	12526.	12580.	1196.5
15	12513.	12326.	11645.	3462.3
25	11351.	9855.	7799.	4518.4
35	9601.	6383.	5114.	4403.9
45	7892.	4179.	3632.	3850.7
55	5408.	2590.	2564.	2798.7
65	3098.	1602.	1509.	1761.0
75	1055.	600.	440.	649.2
85	66.	53.	53.	63.1
90	0.	0.	0.	

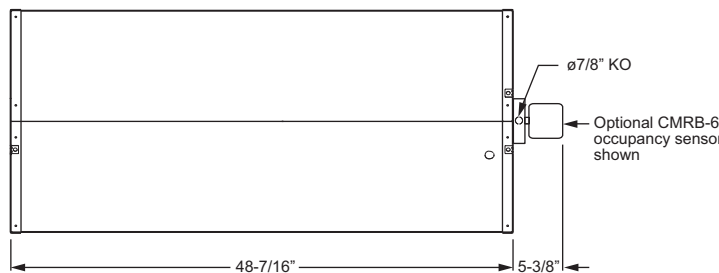
ZONAL CAVITY COEFFICIENTS

Room Cavity Ratio	Ceiling			Wall			Floor		
	.80	.70	.50	.80	.70	.50	.80	.70	.50
0	.90	.90	.90	.88	.88	.88	.84	.84	.84
1	.84	.82	.79	.82	.80	.78	.77	.75	.73
2	.79	.74	.70	.77	.72	.69	.70	.67	.64
3	.73	.67	.62	.71	.66	.61	.64	.60	.56
4	.68	.60	.55	.66	.59	.54	.58	.53	.50
5	.63	.54	.49	.61	.54	.48	.52	.47	.44
6	.58	.50	.44	.57	.49	.43	.48	.43	.39
7	.54	.45	.39	.53	.45	.39	.44	.39	.35
8	.50	.41	.35	.49	.41	.35	.40	.35	.31
9	.47	.37	.32	.46	.37	.31	.36	.31	.27
10	.43	.34	.29	.43	.34	.28	.33	.28	.25

Effective Floor Cavity Reflectance = .20

FIXTURE DETAILS

BACK VIEW



HUB MOUNT OPTION

