

T8 SUSPENDED DIRECT/INDIRECT

SDI5

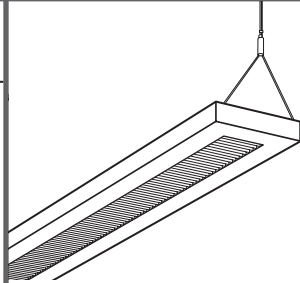
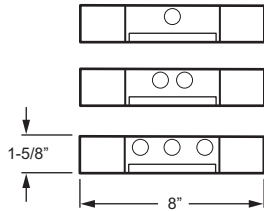
CATALOG #:	TYPE:	T8
PROJECT:	NOTES:	

EXAMPLE

SDI5 - 4 - 3 32 - F - 188W - ACY/D48 - OPTIONS - EB3 - UNV

SERIES
NOMINAL LENGTH
TOTAL WATTAGE/LAMPS
TYPE
FIXTURE TYPE
SHIELDING
MOUNTING
OPTIONS/ACCESSORIES
BALLAST TYPE
VOLTAGE

CROSS SECTIONS



ORDERING INFORMATION

SERIES

SDI5 T8 Suspended Direct/Indirect Version 5

NOMINAL LENGTH

4	4'
8	8'

TOTAL LAMPS

1, 2, 3, 4, or 6 (1-, 2-, or 3-lamp cross-section)

LAMP WATTAGE/TYPE

32 4', 32-watt T8

FIXTURE TYPE

F Electrical feeder unit, 3-conductor, straight white cord standard (wire gauge to be determined by row length), quick-connect wiring harness, two end caps included

J Joiner unit, quick-connect wiring harness

S Stand-alone unit, straight white cord standard (wire gauge to be determined by row length), two end caps included

SHIELDING

188W 1/2" deep, 88-cell cross-blade louver (standard)

KSH-25/A Linear prismatic acrylic lens, 110" thick

MOUNTING

See page 2 for details.

EXAMPLE: ACY/D48		
MOUNTING	TYPE	LENGTH
ACY/ = Aircraft	D = 1' grid & hardpan	24 = 24"
	N = 9/16" grid	48 = 48"
	S = Slot grid	96 = 96"

OPTIONS

For EM ballast options consult factory.

DL2U Divided lamp compartment, 3-lamp cross-section only (2-lamps up, 1-lamp down standard; see back for details)

DL2D Divided lamp compartment, 3-lamp cross-section only (2-lamps down, 1-lamp up standard; see back for details)

C2_ Two-circuit quick-connect wiring harness. See [Technical Info](#) for complete quick-connect offering.

ACCESSORIES

See [Technical Info](#) for alternate mounting accessories. 90° SDI5 corner assembly must be ordered separately. See back for details.

DUSTCOVER Clear acrylic over fixture

BALLAST TYPE

Ballast size restricted to maximum ballast cross-section of 1-1/4"H x 1-3/4"W.

EB1 1-lamp electronic ballast

EB2 2-lamp electronic ballast

EB3 3-lamp electronic ballast

EB4 4-lamp electronic ballast

EB2/1 (1) 2-lamp and (1) 1-lamp electronic ballast

EB4/2 (1) 4-lamp and (1) 2-lamp electronic ballast

VOLTAGE

120 120V

277 277V

UNV 120-277V

347 347V

FEATURES

- ▶ Up to 80.3% optical efficiency.
- ▶ Standard distribution of 35% down, 65% up for a blend of direct/indirect lighting.
- ▶ Optional 90° corners allow continuous runs around corners (see back for details).
- ▶ Self-aligning joining method ensures straight continuous rows.
- ▶ Optional divided lamp compartment for three-lamp T8 cross-sections; ideal for dual-level switching in a classroom environment.
- ▶ Optional dust cover available to hinder dirt and dust from entering fixture.
- ▶ Optional linear prismatic acrylic lens for wide distribution.
- ▶ This fixture is proudly made in the USA.



T8

PHOTOMETRY

SDI5-4-332-F-188W Report #:13158.0; 06/27/06; Lamp Type: F32T8/835; Lamp Quantity: 3
 Total Luminaire Optical Efficiency:80.3% | Effective Floor Cavity Reflectance = .20 | Spacing Criteria: End = .9, Diagonal = 1.0, Across = 1.32

SPECIFICATIONS

Housing – 20-gauge die-formed C.R.S.

Reflective Surfaces – 92% minimum average reflective white polyester powder coat on interior components.

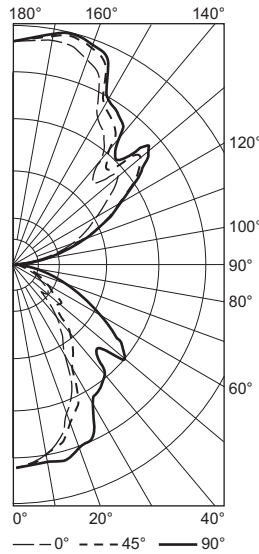
Shielding – Textured matte white polyester TGIC powder coated aluminum cross-blade louver, 1/2" deep, 1/2" spacing, 1 x 88-cell (35° lengthwise cutoff).

Finish – Textured matte white polyester TGIC powder coat bonded to phosphate-free, multi-stage pretreated metal. All parts painted after fabrication to facilitate installation, increase efficiency, and inhibit corrosion.

Electrical – Electronic ballast standard, instant start T8, rated Class P.

Mounting – Suspended. 1/16" diameter adjustable steel leveling aircraft cable with two-point "Y" connector and mounting hardware provided.

Labels – UL/CUL listed as fluorescent luminaire suitable for dry or damp locations.



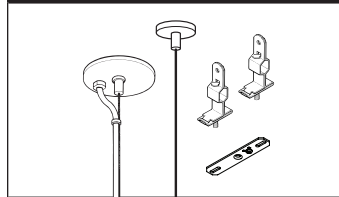
Vertical Angle	Horizontal Angle			Zonal Lumens
	0°	45°	90°	
	0	1333	1333	
5	1306	1308	1320	125.1
15	1177	1208	1325	347.9
25	909	1003	1244	477.6
35	549	682	1001	451.4
45	249	380	779	337.3
55	234	291	830	362.5
65	137	171	510	224.5
75	59	86	220	107
85	5	22	32	22.8
90	0	1	3	
95	57	79	84	84.7
105	285	359	359	372.9
115	551	712	706	672.4
125	806	1028	1055	878.0
135	743	872	964	671.2
145	1048	1157	1213	722.4
155	1366	1461	1493	670.6
165	1486	1542	1563	435.2
175	1475	1485	1493	141.7
180	1462	1462	1462	

Zone	Lumens	% Lamp	% Fixture
0 - 30	951	10.7	13.4
0 - 40	1402	15.8	19.7
0 - 60	2102	23.7	29.6
0 - 90	2456	27.7	34.6
90 - 120	1130	12.8	15.9
90 - 130	2008	22.7	28.3
90 - 150	3401	38.4	47.9
90 - 180	4649	52.5	65.4
0 - 180	7105	80.3	100.0

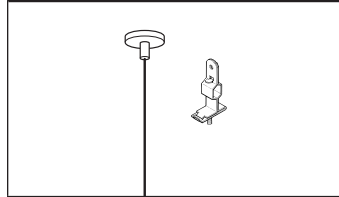
ZONAL CAVITY COEFFICIENTS									
Ceiling	.80			.70			.50		
Wall	.70	.50	.30	.70	.50	.30	.50	.30	.10
0	.83	.83	.83	.75	.75	.75	.60	.60	.60
1	.76	.73	.70	.69	.66	.64	.53	.52	.50
2	.70	.64	.60	.63	.58	.55	.47	.45	.42
3	.64	.57	.51	.58	.52	.47	.42	.39	.36
4	.59	.51	.45	.53	.46	.41	.38	.34	.31
5	.54	.45	.39	.49	.41	.36	.34	.30	.27
6	.50	.41	.35	.45	.37	.32	.31	.27	.24
7	.46	.37	.31	.42	.34	.29	.28	.24	.21
8	.43	.33	.28	.39	.31	.26	.25	.21	.19
9	.40	.30	.25	.36	.28	.23	.23	.19	.17
10	.37	.28	.22	.34	.26	.21	.21	.17	.15

STANDARD HARDWARE (Grid and Hardpan)

FEEDER



JOINER

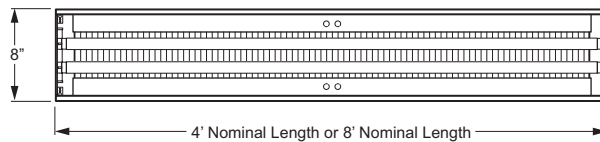


Notes:

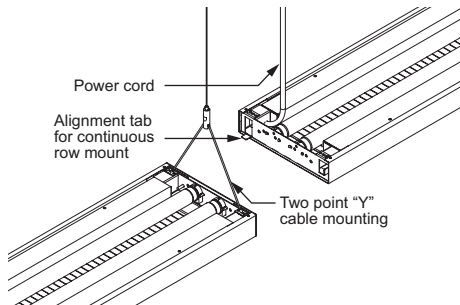
- Fixtures are provided with adjustable length aircraft cables with two-point "Y" connectors and mounting hardware, must specify.
- Electrical supply is brought into the feeder fixture, either as part of a row or as a stand-alone unit. Joiner fixtures complete the row.

FIXTURE DETAILS

BACK VIEW



CONTINUOUS ROW DETAILS



For continuous row mount, suspend fixture using aircraft cable at every fixture intersection and at both ends. Make the electrical connections using the plug-in wiring harness (provided). Install end plates on each end of the continuous row. Depending on installation method, cable mounting may require additional counter-weights due to side-mounted driver.

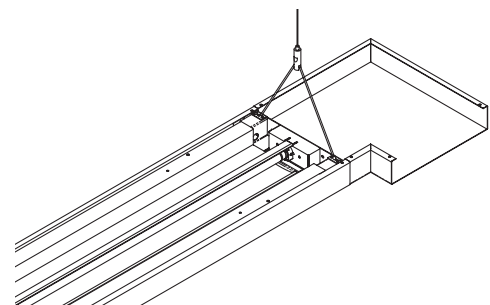
DL2U



DL2D



90° CORNER ASSEMBLY (FOR CONTINUOUS ROW INSTALLATIONS)



Housing – 22-gauge die-formed, welded C.R.S.
Finish – Textured matte white polyester TGIC powder coat bonded to phosphate-free, multi-stage pretreated metal.

Example: SDI5 CORNER-FWT