

WALL LUMINAIRE

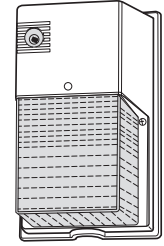
WL1

SUBMITTAL:

JOB:

TYPE:

VOLTAGE:



EXAMPLE: **WL1** - **1** **42T** - **GX24q-4** - **OPTIONS** - **120**

SERIES TOTAL LAMPS LAMP WATTAGE LAMP BASE OPTIONS VOLTAGE

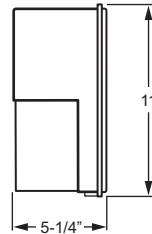
SERIES

This fixture does not comply with Buy American/ARRA and similar regulatory programs.



FEATURES

- ▶ Overall dimensions: 5-1/4" x 11" x 6-5/8".
- ▶ Aluminum base plate with conduit access.
- ▶ High-impact polycarbonate lens and front housing.
- ▶ Factory-installed photocell included.
- ▶ 1/2" NPS threaded hub and plugged conduit entry point.
- ▶ Wet location listed.
- ▶ Dark bronze finish only.



WL1 SERIES

HOUSING — Die-cast aluminum base plate and molded, dark bronze polycarbonate front housing.

REFLECTIVE SURFACES — Aluminum reflector.

LENS — Molded prismatic polycarbonate.

LAMP OPTIONS (Must specify)

COMPACT FLUORESCENT

# LAMPS	WATTAGE	LAMP BASE
1	26Q	G24q-3
1	32T	GX24q-3
1	42T	GX24q-4

OPTIONS

SF	Single fuse
GMF	HLR-GMF style slow blow fuse (factory-installed inside of unit)

VOLTAGE

120	120V (120V only)
------------	------------------

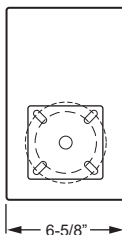
ELECTRICAL

Vertical lamp, 4-pin socket, electronic ballast standard. Prewired at factory for easy field installation. Rated 0°F minimum starting temperature. 4100K lamps are furnished, not installed.

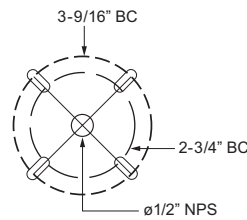
FINISH

Powder coated finish on heavy-duty die-cast base plate. Dark bronze finish only.

MOUNTING



BACK VIEW

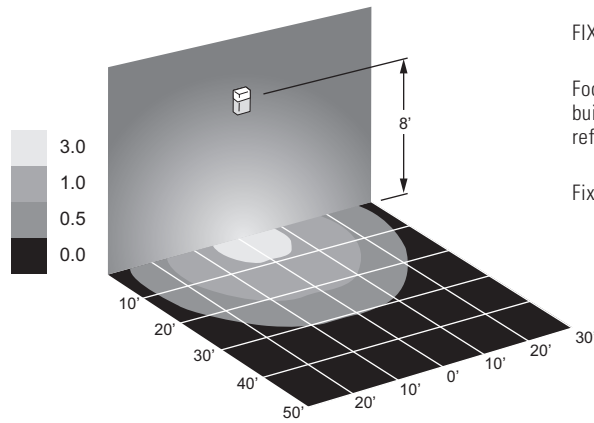


BOLT CIRCLE PATTERN DETAIL

MOUNTING

Wall mounts directly over a 4" maximum recessed outlet box.

FOOTCANDLE ESTIMATOR



FIXTURE: **WL1-142T-GX24q-4**

Footcandle calculations based on standard building reflectance of .10 with a ground reflectance of .0 and a light loss factor of .75.

Fixture installed at 8' mounting height.

LABELS

cCSAus certified as luminaire suitable for wet locations.

