

# 8" WIDE ARCHITECTURAL VANDAL WRAP

# AV8

## T5 | T8

CATALOG #:

TYPE:

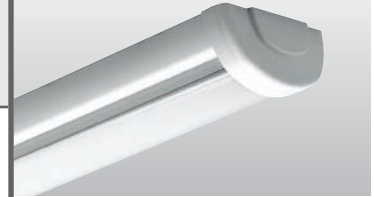
PROJECT:

NOTES:

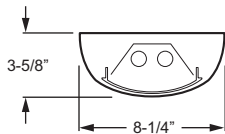
EXAMPLE

**AV8** - **4** - **2 32** - **CPC** - **OPTIONS** - **EB2** - **UNV**

SERIES    NOMINAL LENGTH    TOTAL WATTAGE/LAMPS    SHIELDING    OPTIONS/ACCESSORIES    BALLAST TYPE    VOLTAGE



## CROSS SECTION



## ORDERING INFORMATION

### SERIES

**AV8** Architectural Vandal Wrap, 8" wide

### NOMINAL LENGTH

**4** 4'  
**8** 8'

### TOTAL LAMPS

**1 or 2**

### LAMP WATTAGE/TYPE

**28T5S** 4', 28-watt T5  
**32** 4', 32-watt T8  
**54T5H<sup>1</sup>** 4', 54-watt T5HO<sup>1</sup>

### SHIELDING

**CPC** Clear polycarbonate lens, .150" thick  
**WPC** White polycarbonate lens, .150" thick

### OPTIONS

EM ballasts must be low profile. Not available with generic EM ballast options.

See Technical Info for [mounting accessories](#) details.

**WET/CC** Wet location under covered ceiling (surface mount only)

**SWS(AV)12** Pendant swivel stem mount with 12" stem (two stem sets required for 4' fixture. One additional stem set required for each 4' length when row mounted).

**SS(AV)12** Pendant stem mount with 12" stem (two stem sets required for 4' fixture. One additional stem set required for each 4' length when row mounted).

**CMB** Tamper-resistant corner mount (for dry or damp location only) See back page for details.

**C1\_** Single-circuit quick-connect wiring harness.

### BALLAST TYPE

Ballast size restricted. Ballast and/or EM ballast sizes restricted to maximum ballast cross-section of 1-3/4"W x 1-1/4"H.

See Technical Info for complete [ballast offering](#).

**EB1** 1-lamp electronic ballast

**EB2** 2-lamp electronic ballast

### VOLTAGE

**120** 120V

**277** 277V

**UNV** 120-277V

**347** 347V

## FEATURES

- ▶ Heavy-duty, extruded, marine grade aluminum housing with die-cast end caps.
- ▶ Durable construction to withstand harsh environments or areas prone to vandalism such as schools, hallways, dormitories, or locker rooms.
- ▶ Tamper-resistant screws provided to protect against vandals (optional 1/4" drive socket available). Phillips head screws also provided.
- ▶ Extremely durable damage-resistant polycarbonate lens standard.
- ▶ Features easy row mount capability with integral alignment pieces.
- ▶ This fixture is proudly made in the USA.

**This fixture requires a tamper-resistant tool (must be ordered separately). Please specify quantity required per project.**

<sup>1</sup> T5HO fixtures are equipped with 90°C rated ballasts.



### SPECIFICATIONS

**Housing** – Extruded, marine grade aluminum with die-cast end caps.

**Reflective Surfaces** – 92% minimum average reflective white polyester powder coat on interior components.

**Shielding** – .150" thick polycarbonate lens. Lens is secured to housing with multiple tamper-resistant tri-groove screws.

**Finish** – Textured matte white polyester TGIC powder coat bonded to phosphate-free, multi-stage pretreated metal. All parts painted after fabrication to facilitate installation, increase efficiency, and inhibit corrosion.

**Electrical** – Electronic ballast standard, instant start T8, program start T5, rated Class P.

**Mounting** – Surface, pendant, or corner.

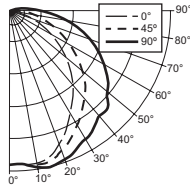
**Labels** – UL/CUL listed as fluorescent luminaire suitable for dry or damp locations. UL/CUL listed for wet location under covered ceiling when specified with WET/CC option (surface mount only).

**Warranty** – 5-year limited warranty, see [hew.com/warranty](http://hew.com/warranty).

### PHOTOMETRY

#### TEST REPORT INFORMATION

- ▶ Test Report #: 13626.0
- ▶ Date: 07/31/07
- ▶ Lamp Type: F32T8/835/RS
- ▶ Lamp Quantity: 2



#### ZONAL CAVITY COEFFICIENTS

	Ceiling			.80			.70			.50		
	Wall	.70	.50	.30	.70	.50	.30	.50	.30	.10		
0	.75	.75	.75	.73	.73	.73	.69	.69	.69			
1	.68	.65	.62	.66	.63	.60	.60	.58	.56			
2	.62	.56	.52	.60	.55	.51	.52	.49	.46			
3	.56	.50	.44	.55	.48	.44	.46	.42	.39			
4	.52	.44	.38	.50	.43	.38	.41	.37	.33			
5	.47	.39	.33	.45	.38	.32	.36	.32	.28			
6	.43	.35	.29	.42	.34	.28	.33	.28	.24			
7	.40	.31	.25	.38	.30	.25	.29	.24	.21			
8	.37	.28	.22	.35	.27	.22	.26	.22	.18			
9	.34	.25	.20	.33	.24	.19	.24	.19	.16			
10	.31	.23	.17	.30	.22	.17	.21	.17	.14			

Effective Floor Cavity Reflectance = .20

#### CANDLEPOWER DISTRIBUTION

Vertical Angle	Horizontal Angle			Zonal Lumens
	0°	45°	90°	
0	1116.	1116.	1116.	
5	1113.	1113.	1113.	106.2
15	1099.	1128.	1165.	319.8
25	962.	1035.	1121.	480.2
35	794.	907.	1052.	575.7
45	631.	775.	1000.	617.1
55	443.	592.	870.	565.1
65	266.	436.	721.	465.2
75	102.	264.	519.	310.4
85	13.	135.	328.	172.8
90	1.	84.	233.	

#### LUMEN SUMMARY

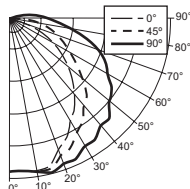
Zone	Lumens	% Lamp	% Fixture
0 - 30	906.	15.4	24.4
0 - 40	1482.	25.1	39.9
0 - 60	2664.	45.2	71.7
0 - 90	3613.	61.2	97.2
90 - 120	106.	1.8	2.8
90 - 130	106.	1.8	2.8
90 - 150	106.	1.8	2.8
90 - 180	106.	1.8	2.8
<b>Total Luminaire:</b>			
0 - 180	3718.	63.0	100.0

Total Luminaire Optical Efficiency: 63.0%  
Spacing Criteria: Across: 1.4  
Diagonal: 1.3  
End: 1.2

### PHOTOMETRY

#### TEST REPORT INFORMATION

- ▶ Test Report #: 13627.0
- ▶ Date: 08/01/07
- ▶ Lamp Type: FP54T5H0/835
- ▶ Lamp Quantity: 1



#### ZONAL CAVITY COEFFICIENTS

	Ceiling			.80			.70			.50		
	Wall	.70	.50	.30	.70	.50	.30	.50	.30	.10		
0	.72	.72	.72	.70	.70	.70	.67	.67	.67			
1	.65	.62	.59	.63	.61	.58	.58	.55	.53			
2	.59	.54	.50	.57	.53	.49	.50	.47	.44			
3	.54	.48	.42	.52	.46	.42	.44	.40	.37			
4	.49	.42	.37	.48	.41	.36	.39	.35	.31			
5	.45	.37	.31	.44	.36	.31	.35	.30	.26			
6	.41	.33	.27	.40	.32	.27	.31	.26	.23			
7	.38	.30	.24	.37	.29	.24	.28	.23	.20			
8	.35	.27	.21	.34	.26	.21	.25	.20	.17			
9	.32	.24	.19	.31	.23	.18	.22	.18	.15			
10	.30	.22	.17	.29	.21	.16	.20	.16	.13			

Effective Floor Cavity Reflectance = .20

#### CANDLEPOWER DISTRIBUTION

Vertical Angle	Horizontal Angle			Zonal Lumens
	0°	45°	90°	
0	876.	876.	876.	
5	880.	874.	874.	83.5
15	875.	894.	921.	253.6
25	765.	819.	885.	380.0
35	641.	725.	846.	461.3
45	510.	619.	807.	495.4
55	358.	482.	716.	461.1
65	213.	360.	607.	385.9
75	80.	231.	452.	269.0
85	9.	119.	292.	150.4
90	2.	77.	217.	

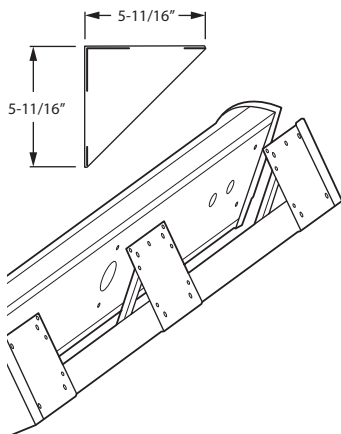
#### LUMEN SUMMARY

Zone	Lumens	% Lamp	% Fixture
0 - 30	717.	14.3	23.6
0 - 40	1178.	23.6	38.7
0 - 60	2135.	42.7	70.1
0 - 90	2940.	58.8	96.6
90 - 120	105.	2.1	3.4
90 - 130	105.	2.1	3.4
90 - 150	105.	2.1	3.4
90 - 180	105.	2.1	3.4
<b>Total Luminaire:</b>			
0 - 180	3045.	60.9	100.0

Total Luminaire Optical Efficiency: 60.9%  
Spacing Criteria: Across: 1.5  
Diagonal: 1.3  
End: 1.2

### CMB

Dry or damp location only



### FIXTURE DETAILS

#### BACK VIEW

