

6" SQUARE ALUMINUM BOLLARD

OSA6S

SUBMITTAL:

CFL

JOB:

TYPE:

VOLTAGE:



EXAMPLE

OSA6S - 42TUNV - AC - FT - DBR - AB - OPTIONS

SERIES

ELECTRICAL PACKAGE

SHIELD/ REFLECTOR

HOUSING TOP

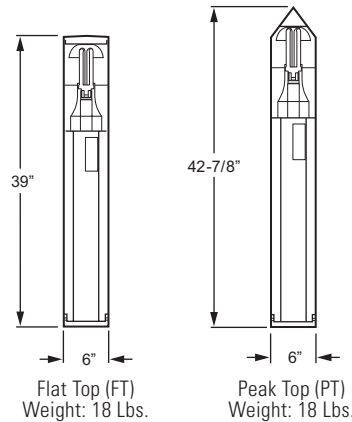
FINISH OPTIONS

ANCHOR BOLTS

OPTIONS

FEATURES

- ▶ The OSA6S Series square aluminum bollard features a highly reflective cone reflector for effective light distribution and a pleasing appearance night or day.
- ▶ Available with flat or peak top.
- ▶ This fixture is proudly made in the USA.



SPECIFICATIONS

Housing – Fabricated aluminum, minimum .125" thick.
Housing Top – Fabricated aluminum, minimum .125" thick.
Reflector – Spun aluminum cone reflector with clear specular finish.
Shield – UV stabilized clear acrylic sealed with silicone. Type V distribution.
Electrical – Prewired at factory for easy field installation. Lamp is optional, please specify when ordering. Rated 0°F minimum starting temperature.
Finish – Super durable polyester powder coat bonded to phosphate-free, multi-stage pretreated metal, meets and exceeds AAMA 2604 specifications for outdoor durability.
Mounting – Three-point cast aluminum base. For accurate installation a full-scale mounting template is provided with every bollard and anchor bolt order.
Labels – cCSAus certified as luminaire suitable for wet locations.

ORDERING INFORMATION

SERIES

OSA6S 6" Square Aluminum Bollard

ELECTRICAL PACKAGE

WATTAGE	18-WATT	26-WATT	32-WATT	42-WATT	
SOCKET	G24q-2	G24q-3	GX24q-3	GX24q-4	
CATALOG NUMBER	18Q120	26Q120	26T120	32T120	42T120
	18Q208	26Q208	26T208	32T208	42T208
	18Q240	26Q240	26T240	32T240	42T240
	18Q277	26Q277	26T277	32T277	42T277
	18QUNV	26QUNV	26TUNV	32TUNV	42TUNV
	18Q347	26Q347	26T347	32T347	42T347

SHIELD/REFLECTOR

See back for shielding details.

AC Acrylic lens with cone reflector

HOUSING TOP

FT Flat top
PT Peak top

FINISH OPTIONS

BLK Black (RAL #9004)
DBZ Dark bronze
DBR Medium bronze
GRAY Standard gray
GRN Green (RAL #6005)
SLV Satin aluminum (RAL #9006)
WHT White (RAL #9003)
RAL# _____ Specify custom color

ANCHOR BOLTS

AB¹ Anchor bolts (3 each, shipped with fixture)¹
LAB Less anchor bolts
PAB¹ Pre-shipped anchor bolts (3 each)¹

OPTIONS

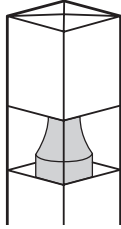
SF Single fuse (120V, 277V, or 347V only; must specify voltage)
DF Double fuse (208V or 240V only; must specify voltage)

¹ Three 3/8" x 12" cast-in galvanized steel anchor J-bolts. Mounting template included.

CFL

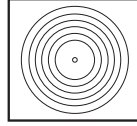
FIXTURE DETAILS

SHIELDING



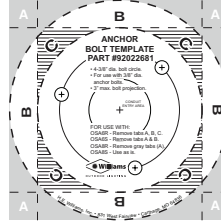
AC Shown

DISTRIBUTION



Type V

MOUNTING TEMPLATE



Mounting template is provided with each order. A pdf file (not to scale) of the mounting template is available at www.hewilliams.com.