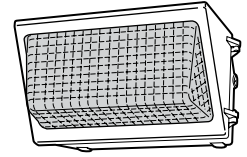


# LARGE DEEP-BACK WALL PACK

# WP3



**SUBMITTAL:**

**JOB:**

**TYPE:**

**VOLTAGE:**

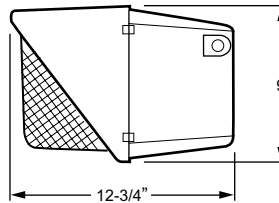
EXAMPLE: **WP3 - PSMH - 400 - MOG - OPTIONS - 120**

SERIES      LAMP TYPE      WATTAGE      LAMP BASE      OPTIONS/ACCESSORIES      VOLTAGE

## SERIES

### FEATURES

- ▶ Overall dimensions: 17" x 9" x 12-3/4".
- ▶ Dark bronze finish standard. Black or white finish available.
- ▶ Wet location listed.
- ▶ Fully gasketed side-hinging door.
- ▶ Horizontal lamp position and specular aluminum faceted reflector provide good forward and lateral distribution of illumination.
- ▶ Optional stainless steel wireguard, cutoff shields, and vandal shield available.
- ▶ 1/2" NPS threaded hub and plugged conduit entry points.



## WP3 SERIES

**HOUSING** — Die-cast aluminum.  
**REFLECTIVE SURFACES** — Anodized aluminum reflector.  
**LENS** — Impact-resistant prismatic borosilicate glass refractor.  
**FINISH** — Powder coated finish on heavy-duty die-cast housing. Dark bronze finish standard. Black or white finish available.

## LAMP OPTIONS (Must specify)

### PULSE START METAL HALIDE

LAMP	WATTAGE	LAMP BASE
PSMH	250	MOG
PSMH	400	MOG

### HIGH PRESSURE SODIUM

LAMP	WATTAGE	LAMP BASE
HPS	250	MOG
HPS	400	MOG

## OPTIONS

<b>SF</b>	Single Fuse (120V, 277V, or 347V only; must specify voltage)	<b>DF</b>	Double Fuse (208V, 240V, or 480V only; must specify voltage)
<b>PC</b>	Factory-installed Photocell (120V, 208V and 277V only; must specify voltage)	<b>BLK</b>	Black Finish (RAL #9004)
<b>WHT</b>	White Finish (RAL #9003)		

## ELECTRICAL

Porcelain socket.  
 Prewired at factory for easy field installation.  
**PSMH** — Rated -20°F minimum starting temperature.  
**HPS** — Rated -40°F minimum starting temperature.

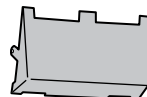
## ACCESSORIES (Only one lens-mounted accessory per fixture)



**FCS**  
Full Cutoff Shield



**SCS**  
Side Cutoff Shield



**PVS**  
Polycarbonate Vandal Shield



**WG**  
Stainless Steel Wireguard

## ACCESSORIES

Fixture is designed to accommodate only one lens-mounted accessory.

## VOLTAGE (Must specify)

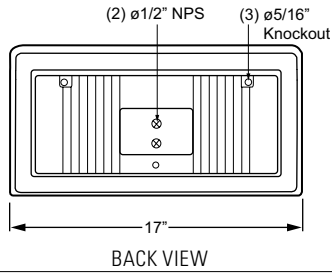
<b>120</b>	120V	<b>208</b>	208V	<b>240</b>	240V	<b>277</b>	277V
<b>347</b>	347V	<b>480</b>	480V	<b>QV</b>	120V, 208V, 240V and 277V		



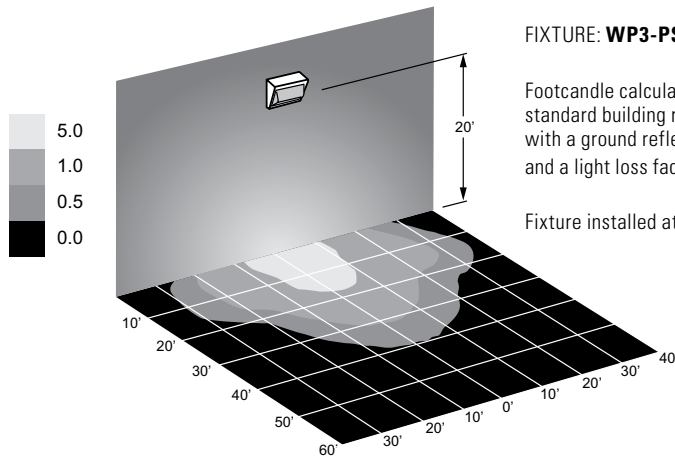
## MOUNTING

Wall mount.

## MOUNTING



## FOOTCANDLE ESTIMATOR



FIXTURE: **WP3-PSMH-400**

Footcandle calculations based on standard building reflectance of .30 with a ground reflectance of .10 and a light loss factor of .80.

Fixture installed at 20' mounting height.

## LABELS

cCSAus Certified as luminaire suitable for wet locations.