

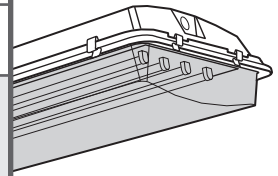
SUBMITTAL:

T5

JOB:

TYPE:

VOLTAGE:



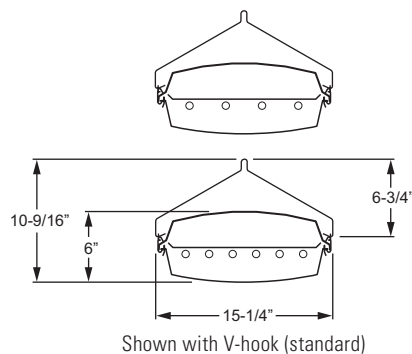
EXAMPLE

**EGL - 4 - 6 54T5H - HIA - OPTIONS - EB2/2/2 - UNV**

SERIES      NOMINAL LENGTH      TOTAL LAMPS      WATTAGE/TYPE      SHIELDING      OPTIONS/ACCESSORIES      BALLAST TYPE      VOLTAGE

**FEATURES**

- ▶ NEMA 4X, IP66, IP67, and NSF/ANSI Standard 2–Splash Zone certified.
- ▶ Hose-down tested at 1500 PSI @ 1.4 GPM to withstand water penetration.
- ▶ Can operate up to 40°C/104°F with high-ambient (HA/40C) option.<sup>1</sup>
- ▶ Up to **91.3% optical efficiency**.
- ▶ Precisely formed lens provides maximum efficiency/reduced glare.
- ▶ Seamless closed-cell gasket poured and formed in place.
- ▶ Liquid-tight power entry.
- ▶ A curved-top housing without flanges reduces dust build-up.
- ▶ Optional 100% polycarbonate lens available.
- ▶ Wide variety of cord and receptacle options.
- ▶ High-performance highly specular aluminum reflector system optional.
- ▶ All internal parts painted after fabrication to facilitate installation, increase efficiency, and inhibit corrosion.
- ▶ This fixture is proudly made in the USA.



**SPECIFICATIONS**

**Enclosure** – Outer housing consists of 5VA (f1) fiberglass, rated for flame and weather resistance.

**Internal Housing** – 22-gauge die-formed C.R.S.

**Latching** – Stainless steel latches.

**Reflective Surfaces** – 92% minimum average reflective white polyester powder coat bonded to phosphate-free, multi-stage pretreated metal.

**Shielding** – High-impact acrylic (HIA) diffuser.

**Electrical** – Electronic ballast standard, program start T5, rated Class P.

**Mounting** – Suspended with stainless steel V-hooks (standard) or optional ceiling mount brackets. Stem or surface mount not available.

**Labels & Certifications** – UL/CUL listed as fluorescent luminaire suitable for dry, damp, or wet locations<sup>2</sup>; NSF/ANSI Standard 2–Splash Zone certified, IP66 and IP67 certified (IP65 with occupancy sensor option), and rated for NEMA 4X.

<sup>1</sup> Amalgam lamps recommended. HA/40C option not available with EM ballast. 4-lamp fixture with EBHA2/2 ballast type only.

<sup>2</sup> When specifying EM option, EM ballast for enclosed and gasketed fixtures is required for fixture to be suitable for wet locations. Not available with HA/40C option. Wet location cord sets are yellow.

<sup>3</sup> Two (2) fuses required when specifying 208V or 240V.

<sup>4</sup> This option requires a tamper-resistant tool (must be ordered separately). Please specify quantity required per project.

**ORDERING INFORMATION**

**SERIES**  
EGL Enclosed Industrial

**NOMINAL LENGTH**  
4 4'

**TOTAL LAMPS**  
4 or 6

**LAMP WATTAGE/TYPE**  
28T5S 4', 28-watt T5  
54T5H 4', 54-watt T5HO

**SHIELDING**  
HIA High-impact acrylic (standard)  
HIAFR High-impact frosted acrylic  
PC 100% polycarbonate lens

**OPTIONS/ACCESSORIES<sup>2</sup>**  
3WC6 3-wire, 6' STOW cord  
3WC20 3-wire, 20' STOW cord  
4WC6 4-wire, 6' STOW cord  
4WC20 4-wire, 20' STOW cord  
3WMR 3-wire mini-male receptacle only  
3WMRC6 3-wire mini-male receptacle with 6' STOW cord  
3WMRC20 3-wire mini-male receptacle with 20' STOW cord  
4WMR 4-wire mini-male receptacle only  
4WMRC6 4-wire mini-male receptacle with 6' STOW cord  
4WMRC20 4-wire mini-male receptacle with 20' STOW cord

**OPTIONS/ACCESSORIES (Continued)**  
HA/40C<sup>1,2</sup> High-ambient, 40°C max. operating temp.<sup>1,2</sup>  
REFL SPEC95 Highly specular aluminum reflector  
GMF<sup>3</sup> Fuse, slow blow (specify voltage)<sup>3</sup>  
GLR<sup>3</sup> Fuse, fast blow (specify voltage)<sup>3</sup>  
TP<sup>4</sup> Tamper-resistant (holt head) screws<sup>4</sup>  
SSMB Stainless steel ceiling mount brackets (two per fixture), see back for details

**OCCUPANCY SENSORS**  
Occupancy sensor must be specified from the following (specify voltage):  
OCCWS HB350W-L3W/120  
OCCWS HB350W-L3W/277  
OCCWS HB350W-L4W/120  
OCCWS HB350W-L4W/277  
Fixture is IP65 certified when specified with occupancy sensor.

**BALLAST TYPE**  
EB4 4-lamp electronic ballast  
EB2/2 (2) 2-lamp electronic ballasts  
EBHA2/2 (2) 2-lamp high-ambient electronic ballasts  
EB4/2 (1) 4-lamp and (1) 2-lamp electronic ballast  
EB2/2/2 (3) 2-lamp electronic ballasts

**VOLTAGE**

120	120V	347	347V
208	208V	480	480V (T5HO only)
240	240V	HRV	347-480V (T5HO only)
277	277V		
UNV	120-277V		

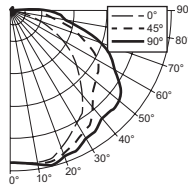
T5

## PHOTOMETRY – 6 LAMPS

Catalog #: **EGL-4-654T5H-HIA-WHT**

### TEST REPORT INFORMATION

- ▶ Test Report #: 14276.0
- ▶ Date: 09/02/08
- ▶ Lamp Type: FP54T5H0/835/C
- ▶ Lamp Quantity: 6



**Note:** Test performed using amalgam lamps in a still air environment at an ambient temperature of 25°C.

### LUMEN SUMMARY

Zone	Lumens	% Lamp	% Fixture
0 - 30	5153.	17.5	21.1
0 - 40	8789.	29.9	36.0
0 - 60	16660.	56.7	68.2
0 - 90	23762.	80.8	97.2
<b>Total Luminaire:</b>			
0 - 180	24441.	83.1	100.0

Total Luminaire Optical Efficiency: **83.1%**  
IES Spacing Criteria: End = 1.3, Diagonal = 1.4, Across = 1.5

### CANDLEPOWER DISTRIBUTION

Vertical Angle	Horizontal Angle			Zonal Lumens
	0°	45°	90°	
0	6431.	6431.	6431.	
5	6479.	6484.	6491.	618.9
15	6492.	6613.	6761.	1876.5
25	5848.	6250.	6518.	2657.5
35	5243.	5846.	6222.	3635.8
45	4113.	4891.	5977.	3878.6
55	3057.	4492.	5645.	3992.6
65	1850.	3634.	4666.	3377.4
75	804.	2480.	3178.	2377.4
85	214.	1341.	2024.	1347.5
90	134.	1193.	1501.	

### ZONAL CAVITY COEFFICIENTS

	Ceiling			Wall			Floor			
	.80	.70	.50	.80	.70	.50	.80	.70	.50	
Room Cavity Ratio	0	.98	.98	.98	.96	.96	.96	.91	.91	.91
	1	.89	.84	.80	.86	.82	.79	.78	.75	.72
	2	.80	.73	.67	.78	.71	.65	.68	.63	.59
	3	.73	.64	.57	.71	.62	.56	.59	.54	.49
	4	.67	.56	.48	.64	.55	.48	.52	.46	.41
	5	.60	.49	.41	.58	.48	.41	.46	.39	.34
	6	.55	.44	.36	.54	.43	.35	.41	.34	.30
	7	.51	.39	.31	.49	.38	.31	.37	.30	.25
	8	.47	.35	.27	.45	.34	.27	.33	.26	.22
	9	.43	.31	.24	.42	.31	.24	.29	.23	.19
	10	.40	.28	.21	.39	.28	.21	.27	.21	.17

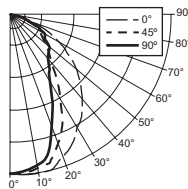
Effective Floor Cavity Reflectance = .20

## PHOTOMETRY – 4 LAMPS

Catalog #: **EGL-4-454T5H-HIA-REFL SPEC95**

### TEST REPORT INFORMATION

- ▶ Test Report #: 14275.0
- ▶ Date: 09/03/08
- ▶ Lamp Type: FP54T5H0/835/C
- ▶ Lamp Quantity: 4



**Note:** Test performed using amalgam lamps in a still air environment at an ambient temperature of 25°C.

### LUMEN SUMMARY

Zone	Lumens	% Lamp	% Fixture
0 - 30	6576.	33.6	36.7
0 - 40	9818.	50.1	54.9
0 - 60	15030.	76.7	84.0
0 - 90	17724.	90.4	99.0
<b>Total Luminaire:</b>			
0 - 180	17900.	91.3	100.0

Total Luminaire Optical Efficiency: **91.3%**  
IES Spacing Criteria: End = 1.2, Diagonal = 1.0, Across = 0.9

### CANDLEPOWER DISTRIBUTION

Vertical Angle	Horizontal Angle			Zonal Lumens
	0°	45°	90°	
0	9070.	9070.	9070.	
5	9142.	9069.	8979.	864.9
15	9158.	8735.	8313.	2474.9
25	8265.	7026.	5710.	3236.1
35	7110.	4704.	3852.	3242.6
45	5659.	3074.	3098.	2882.4
55	4097.	2256.	2393.	2328.8
65	2381.	1601.	1738.	1675.2
75	887.	750.	756.	772.9
85	136.	238.	244.	246.6
90	71.	131.	89.	

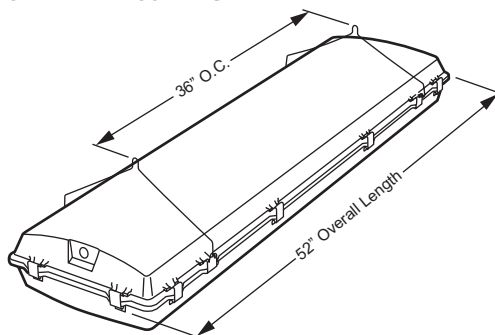
### ZONAL CAVITY COEFFICIENTS

	Ceiling			Wall			Floor			
	.80	.70	.50	.80	.70	.50	.80	.70	.50	
Room Cavity Ratio	0	1.09	1.09	1.09	1.06	1.06	1.06	1.01	1.01	1.01
	1	1.01	.97	.94	.98	.95	.92	.91	.89	.87
	2	.93	.87	.82	.91	.85	.80	.82	.78	.74
	3	.86	.78	.72	.84	.77	.71	.74	.69	.65
	4	.80	.70	.63	.78	.69	.63	.67	.61	.57
	5	.74	.63	.56	.72	.62	.55	.60	.54	.50
	6	.68	.57	.50	.67	.57	.50	.55	.49	.44
	7	.63	.52	.45	.62	.51	.44	.50	.44	.39
	8	.59	.47	.40	.57	.47	.40	.45	.39	.35
	9	.54	.43	.36	.53	.42	.36	.41	.35	.31
	10	.51	.39	.32	.50	.39	.32	.38	.32	.28

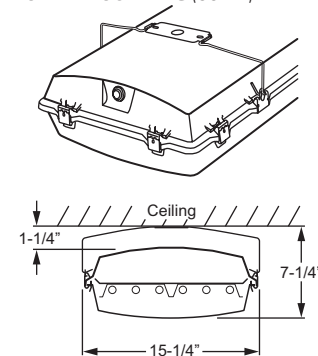
Effective Floor Cavity Reflectance = .20

## FIXTURE DETAILS

### STANDARD MOUNTING



### OPTIONAL MOUNTING (SSMB)



Shown with SSMB and REFL SPEC95 (options)

**Mounting Details** – Fixture furnished with four (4) stainless steel hanger brackets and two (2) stainless steel V-hooks for suspended mounting with chain or aircraft cable. Optional stainless steel ceiling mount brackets available.

**Power Supply** – Fixture has holes in each end suitable for 1/2" electrical trade size liquid-tight connectors. Power supply must be with flexible liquid-tight conduit or cord rated for wet location use.

