

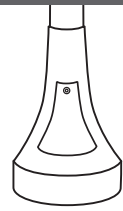
DECORATIVE TAPERED ALUMINUM POLE AND BASE

AV30

SUBMITTAL:

JOB:

TYPE:



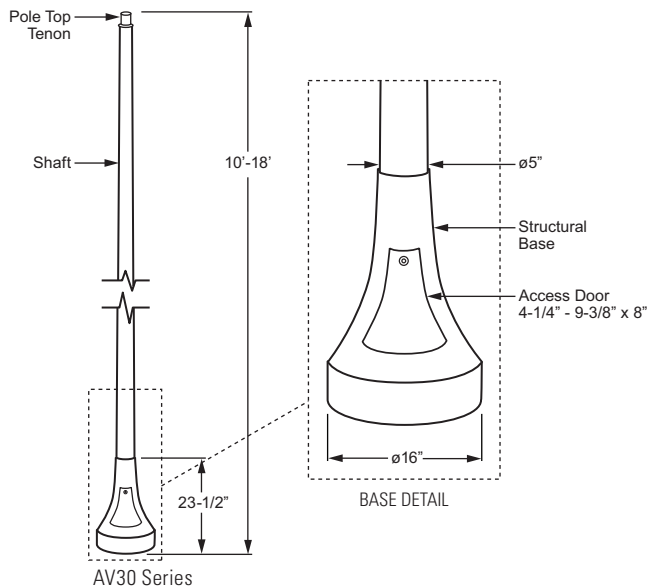
EXAMPLE:

VM - AV30 - A - 100 - 40 - 156 - T - T238 - DBR - AB - OPTIONS

PREFIX SERIES MATERIAL HEIGHT TOP DIAMETER WALL THICKNESS SHAFT STYLE FIXTURE MOUNTING FINISH OPTIONS ANCHOR BOLTS OPTIONS

SERIES

AV30 — Series AV30 poles are 10' to 18' in height including a cast aluminum structural base and a 4" O.D. top tapered round aluminum shaft. The pole is designed to accommodate up to two fixtures on a pole top assembly with a maximum 36" O.C. fixture span.



AV30 SERIES

SHAFT — The pole shaft is spun from seamless 6063 alloy aluminum.

POLE TOP — A pole top plate and tenon (must specify size) are provided for top mount luminaire or Williams' pole top assembly.

ACCESS DOOR — The structural base includes an access door for easy on-site maintenance.

STRUCTURAL BASE — The structural base is cast from 356 alloy aluminum. A grounding provision with hardware is provided. The pole is inserted and welded into the structural base casting. The completed assembly is heat-treated to a T6 temper.

MATERIAL (Must specify)

A Aluminum

HEIGHT (Must specify)

100	10'-0"	120	12'-0"	140	14'-0"
160	16'-0"	180	18'-0"	SL_____	Special Pole Length (Please specify, consult factory)

TOP DIAMETER

40 4"

WALL THICKNESS (Must specify)

156 0.156" **188** 0.188" (14', 16' and 18' shaft heights only)

SHAFT STYLE (Must specify)

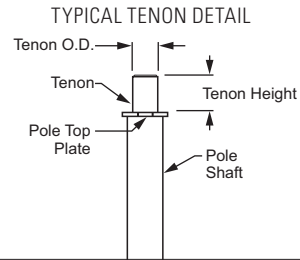
T Tapered Round

FIXTURE MOUNTING

Designed for pole top tenon. See Williams' Pole Top Assemblies for various fixture mounting tenon and arm assemblies.

FIXTURE MOUNTING (Must specify)

T238	2-3/8" O.D. x 4" Round Tenon
T278	2-7/8" O.D. x 4" Round Tenon
T33	3" O.D. x 3" Round Tenon (Use with Historic Pole Top Assemblies)
T312	3-1/2" O.D. x 12" Round Tenon (Use with Williams' AVPT Decorative Pole Top Assemblies)
TC ____	Custom Round Tenon (Must specify tenon diameter (O.D.) and height, consult factory)



FINISH OPTIONS

Polyester powder coat applied over chromate pre-treatment.

FINISH OPTIONS (Must specify)

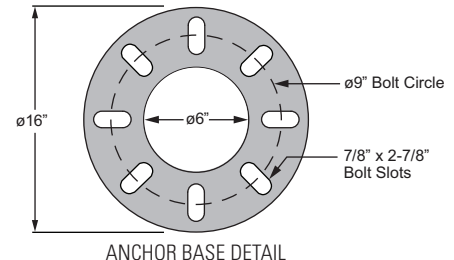
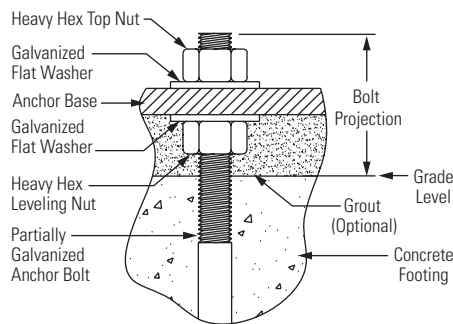
BLK	Black (RAL #9004)	GRN	Green (RAL #6005)
DBZ	Dark bronze	SLV	Satin aluminum (RAL #9006)
DBR	Medium bronze	WHT	White (RAL #9003)
GRAY	Standard gray	RAL# ____	Specify custom color

ANCHOR BOLTS

Anchor bolts conform to ASTM F1554 Grade 55 and are provided with two hex nuts and two flat washers. Bolts have an "L" bend on one end and are galvanized a minimum of 12" on the threaded end. Template provided with every pole and anchor bolt order.

ANCHOR BOLTS (Must specify)

AB	Anchor bolts (4 each, shipped with pole)
LAB	Less anchor bolts
PAB	Pre-shipped Anchor Bolts (4 each)



STRUCTURAL BASE				ANCHOR BOLTS ¹		
BOLT CIRCLE		DIA.	THK.	BOLT SIZE	PROJECTION	±
DIA. (IN)	± (IN)	(IN)	(IN)	(IN)	(IN)	(IN)
9.00	N/A	16.00	0.86	0.75 x 17.00 x 3.00	3.50	N/A

¹ Provided with four anchor bolts. Base has eight slots for additional orientation.

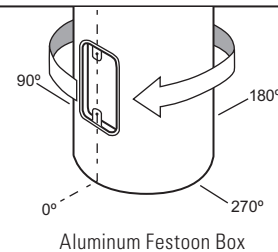
RADIAL INDEX

The Radial Index references how parts are oriented around the shaft. A degree measurement is used from a base point. The standard base point of reference is the handhole. Degrees are measured in a clockwise motion as viewed from the top of the shaft.

OPTIONS

FS Festoon Box only

NOTE: Casting only. Outlet, cover and hardware by others. The festoon box is located above the access door at 0°.



Aluminum Festoon Box

LOAD AND DIMENSIONAL DATA

POLE HT. (FT)	CATALOG NUMBER	POLE DIMENSIONS				80 MPH ^{2,3}		90 MPH ^{2,3}		100 MPH ^{2,3}	
		BASE O.D. (IN)	TOP O.D. (IN)	WALL THK. (IN)	STRUC. WT. ⁴ (LBS)	MAX LUMINAIRE EPA (SQ FT)	MAX LUMINAIRE WEIGHT (LBS)	MAX LUMINAIRE EPA (SQ FT)	MAX LUMINAIRE WEIGHT (LBS)	MAX LUMINAIRE EPA (SQ FT)	MAX LUMINAIRE WEIGHT (LBS)
10	AV30-A-100-40-156-T	5	4	.156	57	17.0	120	13.3	120	10.7	120
12	AV30-A-120-40-156-T	5	4	.156	62	14.1	120	10.9	120	8.7	120
14	AV30-A-140-40-156-T	5	4	.156	67	11.7	120	9.0	120	7.1	120
14	AV30-A-140-40-188-T	5	4	.188	73	14.3	120	11.0	120	8.8	120
16	AV30-A-160-40-156-T	5	4	.156	72	9.4	120	7.1	120	5.6	120
16	AV30-A-160-40-188-T	5	4	.188	79	11.7	120	8.9	120	7.0	120
18	AV30-A-180-40-156-T	5	4	.156	77	7.6	120	5.6	120	4.3	120
18	AV30-A-180-40-188-T	5	4	.188	85	9.5	120	7.1	120	5.6	120

² Effective Projected Area (EPA) calculations allow for 1.3 Wind Gust Factor. Maximum EPA and weight values are based on top mounted luminaires or arm assembly having a centroid 3'-0" above and 3'-0" eccentric to the pole top at Nominal Mounting Height. Variations from sizes above are available upon inquiry. Satisfactory performance of poles is dependent upon the pole being properly attached to a supporting foundation of adequate design. See Williams Outdoor Information Section, page 6, for Load and Dimensional Data specifics.

³ Wind map provided in Williams Outdoor information section, pole information page 6.

⁴ Structure Weight is a nominal value which includes the pole shaft and structural base.

- Pole installations in various parts of the country perform satisfactorily; however, in select locations destructive vibration can occur. H.E. Williams, Inc. is not responsible for vibration induced fatigue damage.
- H.E. Williams, Inc. warrants this product to be free from defects in materials and workmanship. Any defective part returned within one year from the date of delivery of the goods will be repaired or replaced without charge, F.O.B. factory.
This warranty specifically excludes fatigue or similar phenomena resulting from induced vibration, harmonic oscillation or resonance associated with movement of air currents around the product.
The above warranties are given in lieu of all other warranties express or implied, including without limitation, the warranty of merchantability and the warranty of suitability for a particular purpose. It is expressly stated that H.E. Williams, Inc. assumes no liability for consequential or liquidated damages arising out of a breach of the sale, including any warranties arising therefrom, and buyer's remedy shall be limited to repair or replacement of defective parts as described above.
Any action for the breach under a sale including any warranties arising therefrom must be commenced within one year after the cause of action accrues.

AV30

DECORATIVE TAPERED ALUMINUM POLE AND BASE

