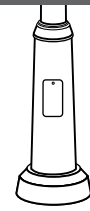


DECORATIVE TAPERED ALUMINUM POLE AND BASE

AV40



SUBMITTAL:

JOB:

TYPE:

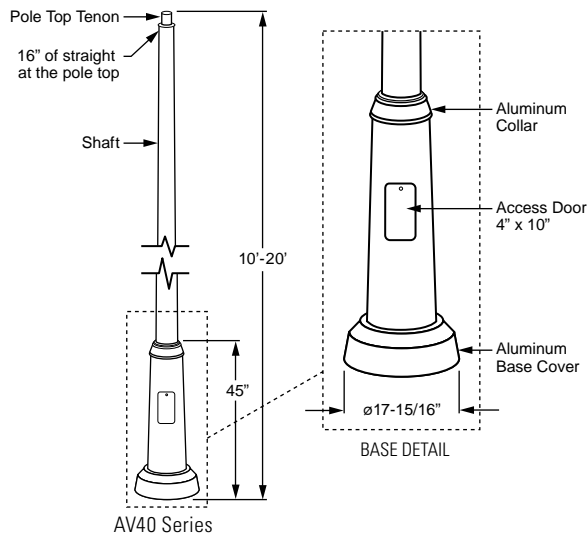
EXAMPLE:

VM - AV40 - A - 100 - 40 - 156 - T - T238 - DBR - AB - OPTIONS

PREFIX SERIES MATERIAL HEIGHT TOP DIAMETER WALL THICKNESS SHAFT STYLE FIXTURE MOUNTING FINISH OPTIONS ANCHOR BOLTS OPTIONS/ACCESSORIES

SERIES

AV40 — Series AV40 poles are 10' to 20' in height, aluminum, with a tapered round shaft. The pole is designed to accommodate up to two fixtures on a pole top assembly with a maximum 72" O.C. fixture span.



AV40 SERIES

SHAFT — Pole shaft is spun from seamless 6063 alloy aluminum.

POLE TOP — A pole top plate and tenon (must specify size) are provided for top mount luminaire or Williams' pole top assembly. A removable finial is available for poles receiving drilling patterns for side-mount luminaire arm assemblies.

ACCESS DOOR — An access door and grounding provision with hardware is provided.

COLLAR & BASE COVER — Slip-over design made from high quality aluminum casting.

ANCHOR BASE — The anchor base (base plate) for the aluminum pole is cast from 356 alloy aluminum. The completed assembly is heat-treated to a T6 temper. The anchor base for the steel pole conforms to ASTM A36.

MATERIAL (Must specify)

A Aluminum

HEIGHT (Must specify)

100	10'-0"	120	12'-0"	140	14'-0"
160	16'-0"	180	18'-0"	200	20'-0"

SL___ Special Pole Length
(Please specify, consult factory)

TOP DIAMETER (Must specify)

40 4"

WALL THICKNESS (Must specify)

188 0.188"

SHAFT STYLE (Must specify)

T Tapered Round



FIXTURE MOUNTING

Designed for pole top tenon or drilled side mount. See Williams' Pole Top Assemblies for various fixture mounting tenon and arm assemblies.

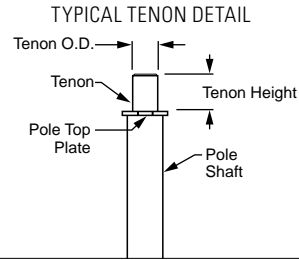
RADIAL INDEX

The Radial Index references how parts are oriented around the shaft. A degree measurement is used from a base point. The standard base point of reference is the access door. Degrees are measured in a clockwise motion as viewed from the top of the shaft.

FIXTURE MOUNTING (Must specify)

POLE TOP MOUNT

T238	2-3/8" O.D. x 4" Round Tenon
T278	2-7/8" O.D. x 4" Round Tenon
T33	3" O.D. x 3" Round Tenon (Use with Williams' Historic Pole Top Assemblies)
T312	3-1/2" O.D. x 12" Round Tenon (Use with Williams' AVPT Decorative Pole Top Assemblies)
TC____	Custom Round Tenon (Must specify tenon diameter (O.D.) and height, consult factory)

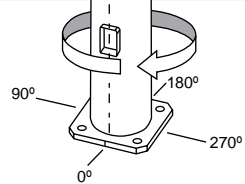
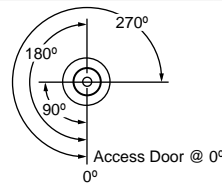


DRILLED SIDE MOUNT

Must specify drilling location using codes below. See radial index for clarification. Note: Minimum 16" of straight provided at top of pole. Consult factory for details.

EXAMPLE: sm/s
(Side mount drill, single fixture located at 0°)

RADIAL INDEX



SM/S

Side Mount Drill/Single 0°
(Located at 0°)



SM/D90

Side Mount Drill/Double 90°
(Located at 0° and 90°)



SM/D180

Side Mount Drill/Double 180°
(Located at 0° and 180°)



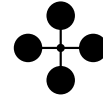
SM/T90

Side Mount Drill/Triple 90°
(Located at 0°, 90°, and 180°)



SM/T120

Side Mount Drill/Triple 120°
(Located at 0°, 120°, and 240°)



SM/Q90

Side Mount Drill/Quad 90°
(Located at 0°, 90°, 180°, and 270°)

FINISH OPTIONS

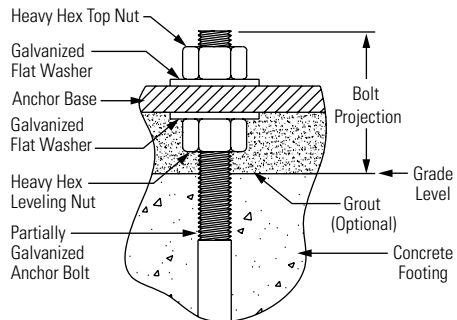
Polyester powder coat applied over chromate pre-treatment.

FINISH OPTIONS (Must specify)

BLK	Black (RAL #9004)	GRN	Green (RAL #6005)
DBZ	Dark bronze	SLV	Satin aluminum (RAL #9006)
DBR	Medium bronze	WHT	White (RAL #9003)
GRAY	Standard gray	RAL#_____	Specify custom color

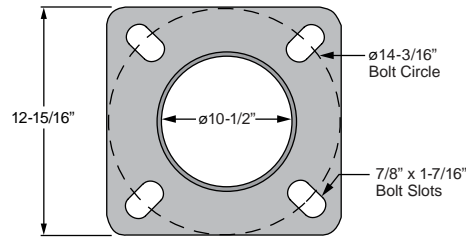
ANCHOR BOLTS (Must specify)

AB	Anchor bolts (4 each, shipped with pole)
LAB	Less anchor bolts
PAB	Pre-shipped Anchor Bolts (4 each)



BOLT PROJECTION DETAIL

ALUMINUM POLE ANCHOR BASE DETAIL



STRUCTURAL BASE

ANCHOR BOLTS

BOLT CIRCLE				BOLT SIZE (IN)	PROJECTION (IN)	± (IN)
DIA. (IN)	± (IN)	SO. (IN)	THK. (IN)			
14.19	0.81	12.94	1.00	0.75 x 17.00 x 3.00	3.06	N/A

ANCHOR BOLTS

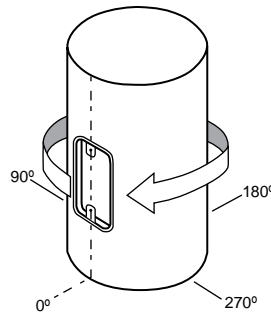
Anchor bolts conform to ASTM F1554 Grade 55. Bolts have an "L" bend on one end and are galvanized a minimum of 12" on the threaded end. Template provided with every pole and anchor bolt order.

ALUMINUM — Provided with one hex nut, one leveling shim, and two flat washers.

OPTIONS

FS Festoon Box only

NOTE: Casting only. Outlet, cover and hardware by others. The festoon box is located above the access door at 0°.



Aluminum Festoon Box



ACCESSORIES

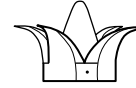
FINIALS (For poles with side-mount drill only, for additional finial options consult factory)



B Ball



H South River



M Metro



N Pineapple



P Point



R Pantheon



S Spear



V Burnsville

LOAD AND DIMENSIONAL DATA

ALUMINUM POLES

POLE HT. (FT)	CATALOG NUMBER	POLE DIMENSIONS				80 MPH ^{1,2}		90 MPH ^{1,2}		100 MPH ^{1,2}	
		BASE O.D. (IN)	TOP O.D. (IN)	WALL THK. (IN)	STRUC. WT. ³ (LBS)	MAX LUMINAIRE EPA (SQ FT)	MAX LUMINAIRE WEIGHT (LBS)	MAX LUMINAIRE EPA (SQ FT)	MAX LUMINAIRE WEIGHT (LBS)	MAX LUMINAIRE EPA (SQ FT)	MAX LUMINAIRE WEIGHT (LBS)
10	AV40-A-100-40-156-T	10	4	0.188	53	24.1	65	19.0	65	15.3	65
12	AV40-A-120-40-156-T	10	4	0.188	58	21.0	65	16.5	65	13.3	65
14	AV40-A-140-40-156-T	10	4	0.188	64	17.7	65	13.8	65	11.1	65
16	AV40-A-160-40-156-T	10	4	0.188	69	15.0	65	11.7	65	9.3	65
18	AV40-A-180-40-156-T	10	4	0.188	75	12.7	65	9.8	65	7.8	65
20	AV40-A-200-40-156-T	10	4	0.188	80	10.8	65	8.2	65	6.5	65

¹ Effective Projected Area (EPA) calculations allow for 1.3 Wind Gust Factor. Maximum EPA (Effective Projected Area) and weight values are based on top mounted luminaires or arm assembly having a centroid 3'-0" above and 6'-0" eccentric to the pole top at Nominal Mounting Height. Variations from sizes above are available upon inquiry. Satisfactory performance of poles is dependent upon the pole being properly attached to a supporting foundation of adequate design. See Williams Outdoor Information Section, page 6, for Load and Dimensional Data specifics.

² Wind map provided in Williams Outdoor information section, pole information page 6.

³ Structure Weight is a nominal value which includes the pole shaft and structural base.

- Pole installations in various parts of the country perform satisfactorily; however, in select locations destructive vibration can occur. H.E. Williams, Inc. is not responsible for vibration induced fatigue damage.
- H.E. Williams, Inc. warrants this product to be free from defects in materials and workmanship. Any defective part returned within one year from the date of delivery of the goods will be repaired or replaced without charge, F.O.B. factory.
This warranty specifically excludes fatigue or similar phenomena resulting from induced vibration, harmonic oscillation or resonance associated with movement of air currents around the product.
The above warranties are given in lieu of all other warranties express or implied, including without limitation, the warranty of merchantability and the warranty of suitability for a particular purpose. It is expressly stated that H.E. Williams, Inc. assumes no liability for consequential or liquidated damages arising out of a breach of the sale, including any warranties arising therefrom, and buyer's remedy shall be limited to repair or replacement of defective parts as described above.
Any action for the breach under a sale including any warranties arising therefrom must be commenced within one year after the cause of action accrues.