

DECORATIVE POLE TOP ASSEMBLY

AVPT24

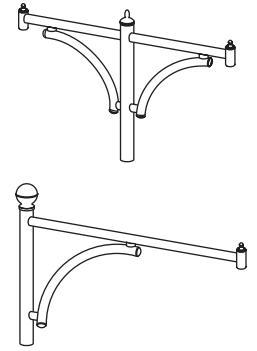
SUBMITTAL:

JOB:

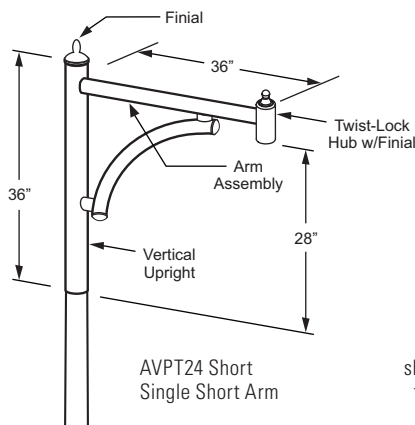
TYPE:

EXAMPLE: **VM - AVPT24 - A - S - ST - F - TL2 - DBR**

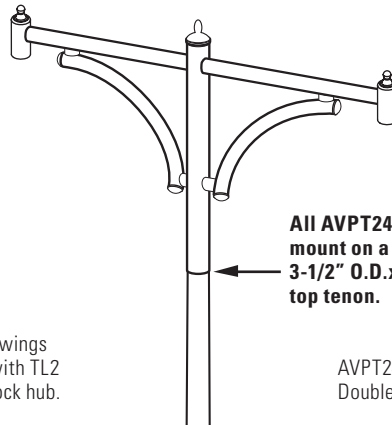
SERIES SERIES MATERIAL ARM TYPE ARM SPAN FINIAL FIXTURE MOUNTING FINISH OPTIONS



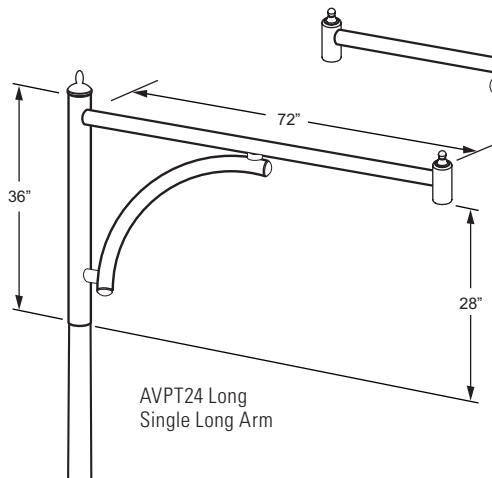
SERIES



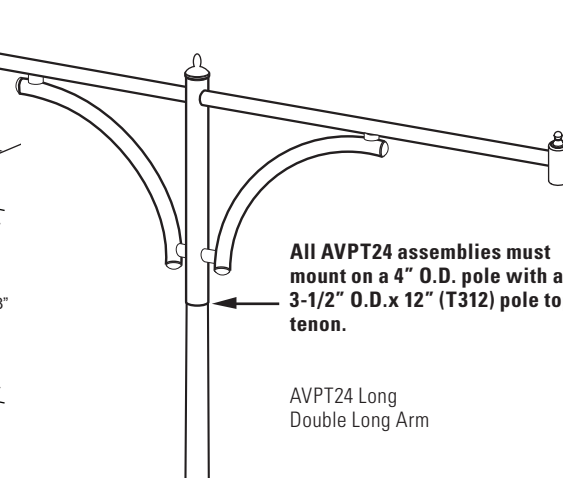
All drawings shown with TL2 twist-lock hub.



All AVPT24 assemblies must mount on a 4" O.D. pole with a 3-1/2" O.D. x 12" (T312) pole top tenon.



All AVPT24 assemblies must mount on a 4" O.D. pole with a 3-1/2" O.D. x 12" (T312) pole top tenon.



AVPT24 SERIES

All components are formed from an extruded seamless 6063 alloy aluminum tube. The size of the vertical upright is 4" O.D. and allows for a smooth pole combination using a tenon interface. The vertical upright fits over the pole top tenon. Luminaire arm assemblies are manufactured with a horizontal straight 2-3/8" O.D. extruded 6063 alloy aluminum tube and a curved 2-3/8" O.D. tube. All components are welded together.

POLE TOP MOUNTING

— Pole top assemblies are mounted to 4" O.D. shafts with the 3-1/2" x 12" (T312) pole top tenon. This must be specified with the pole to accommodate a pole top assembly. The pole top assembly is secured to the pole by two sets of three stainless steel set screws at 120° located on the vertical upright.

MATERIAL (Must specify)

A Aluminum

ARM TYPE (Must specify)

S Single **D180** Two arms @ 180°

ARM SPAN (Must specify)

ST Short **LO** Long



FINIAL

Pole top finial options Point (P), Globe (G), and Pantheon (R) are manufactured of cast aluminum and are mounted to the pole top assembly with two stainless steel fasteners. The Flat (F) finial is a one-piece push-in style polypropylene part.

FINIAL (Must specify)



G Globe



R Pantheon



F Flat Round Push-in (Black finish only)

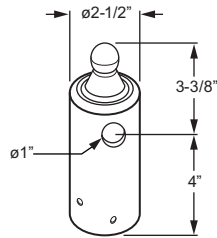


P Point

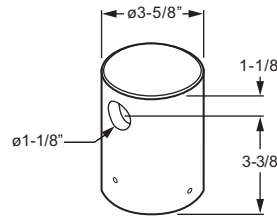
FIXTURE MOUNTING

The luminaire mounts using an exclusive twist-lock hub welded to the end of the arm with wire way. (Hub size is determined by fixture. Please consult fixture specification sheet for details.) The 1/4-turn self-leveling hub provides for ease of field installation. The luminaire is secured using three stainless steel leveling socket set cup screws at 120° and one stainless steel socket-head-cap through-bolt acting as an anti-rotation and locking device.

FIXTURE MOUNTING (Must specify)



TL2 Standard Twist-Lock Hub



TL3 Large Twist-Lock Hub

FINISH OPTIONS

Polyester powder coating applied over chromate pre-treatment.

FINISH OPTIONS (Must specify)

BLK	Black (RAL #9004)	GRN	Green (RAL #6005)
DBZ	Dark bronze	SLV	Satin aluminum (RAL #9006)
DBR	Medium bronze	WHT	White (RAL #9003)
GRAY	Standard gray	RAL# _____	Specify custom color

LOAD AND DIMENSIONAL DATA

POLE TOP SERIES	DIMENSIONS			LOAD DATA	
	OVERALL HEIGHT (IN.)	HORIZ. DISTANCE TO LUMINAIRE (IN.)	HEIGHT TO LUMINAIRE ABOVE POLE TOP (IN.)	POLE TOP ASSEMBLY EPA (SQ. FT.) ¹	POLE TOP ASSEMBLY WEIGHT (LBS.) ¹
AVPT24-A-S-ST (Single Arm)	36	36	28	1.90	16
AVPT24-A-D180-ST (Double Arm)	36	36	28	2.70	25
AVPT24-A-S-LO (Single Arm)	36	72	28	2.64	20
AVPT24-A-D180-LO (Double Arm)	36	72	28	4.18	33

¹ Pole Top Assembly weight and EPA must be added to luminaire load data to determine appropriate pole size. Pole top assemblies are designed for a maximum load of 120 Lbs. and 5.0 EPA per luminaire.