

# DECORATIVE POLE TOP ASSEMBLY

# AVPT48

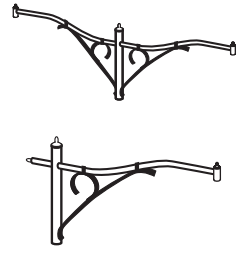
**SUBMITTAL:**

**JOB:**

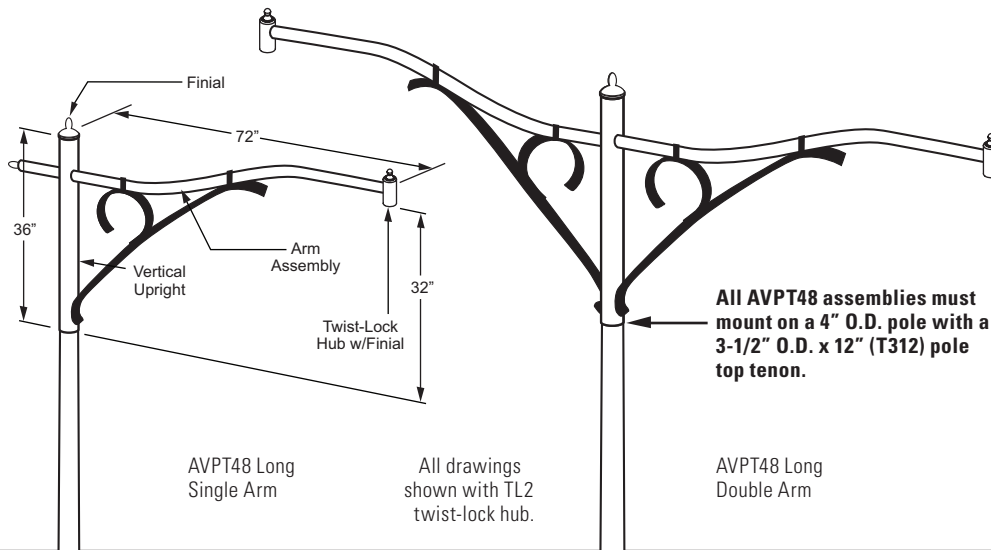
**TYPE:**

**EXAMPLE:** **VM - AVPT48 - A - S - LO - F - TL2 - DBR**

PREFIX      SERIES      MATERIAL      ARM TYPE      ARM SPAN      FINIAL      FIXTURE MOUNTING      FINISH OPTIONS



## SERIES



## AVPT48 SERIES

All components are formed from an extruded seamless 6063 alloy aluminum tube. The size of the vertical upright is 4" O.D. and allows for a smooth pole combination using a tenon interface. The vertical upright fits over the pole top tenon. Luminaire arm assemblies are manufactured with a horizontal curved 2-3/8" O.D. extruded 6063 alloy aluminum tube and a 1/4" x 1-3/4" scrolled plate. All components are welded together.

**POLE TOP MOUNTING** — Pole top assemblies are mounted to 4" O.D. shafts with the 3-1/2" x 12" (T312) pole top tenon. This must be specified with the pole to accommodate a pole top assembly. The pole top assembly is secured to the pole by two sets of three stainless steel set screws at 120° located on the vertical upright.

## MATERIAL (Must specify)

**A** Aluminum

## ARM TYPE (Must specify)

**S** Single      **D180** Two arms @ 180° with 144" O.C. fixture span

## ARM SPAN (Must specify)

**LO** Long

## FINIAL (Must specify)



**G** Globe



**R** Pantheon



**F** Flat Round Push-in (Black finish only)



**P** Point

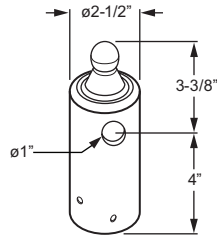
## FINIAL

Pole top finial options Point (P), Globe (G), and Pantheon (R) are manufactured of cast aluminum and are mounted to the pole top assembly with two stainless steel fasteners. The Flat (F) finial is a one-piece push-in style polypropylene part.

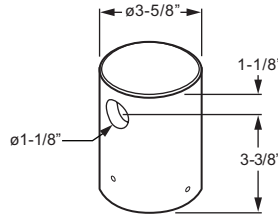
## FIXTURE MOUNTING

The luminaire mounts using an exclusive twist-lock hub welded to the end of the arm with wire way. (Hub size is determined by fixture. Please consult fixture specification sheet for details.) The 1/4-turn self-leveling hub provides for ease of field installation. The luminaire is secured using three stainless steel leveling socket set cup screws at 120° and one stainless steel socket-head-cap through-bolt acting as an anti-rotation and locking device.

## FIXTURE MOUNTING (Must specify)



**TL2** Standard Twist-Lock Hub



**TL3** Large Twist-Lock Hub

## FINISH OPTIONS

Polyester powder coating applied over chromate pre-treatment.

## FINISH OPTIONS (Must specify)

<b>BLK</b>	Black (RAL #9004)	<b>GRN</b>	Green (RAL #6005)
<b>DBZ</b>	Dark bronze	<b>SLV</b>	Satin aluminum (RAL #9006)
<b>DBR</b>	Medium bronze	<b>WHT</b>	White (RAL #9003)
<b>GRAY</b>	Standard gray	<b>RAL#</b> _____	Specify custom color

## LOAD AND DIMENSIONAL DATA

POLE TOP SERIES	DIMENSIONS			LOAD DATA	
	OVERALL HEIGHT (IN.)	HORIZ. DISTANCE TO LUMINAIRE (IN.)	HEIGHT TO LUMINAIRE ABOVE POLE TOP (IN.)	POLE TOP ASSEMBLY EPA (SQ. FT.) <sup>1</sup>	POLE TOP ASSEMBLY WEIGHT (LBS.) <sup>1</sup>
AVPT48-A-S-LO (Single Arm)	36	72	32	2.67	30
AVPT48-A-D180-LO (Double Arm)	36	72	32	4.24	48

<sup>1</sup> Pole Top Assembly weight and EPA must be added to luminaire load data to determine appropriate pole size. Pole top assemblies are designed for a maximum load of 120 Lbs. and 5.0 EPA per luminaire.