

SURFACE MOUNT GARAGE LIGHT

SMPG

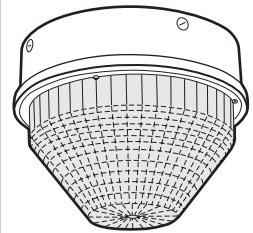
SUBMITTAL:

CFL

JOB:

TYPE:

VOLTAGE:



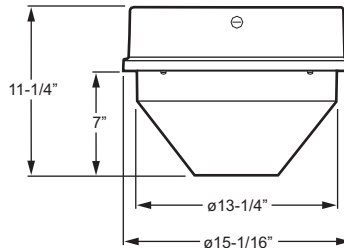
EXAMPLE: SMPG - 2 42T - GX24q-4 - OPTIONS - UNV

SERIES # OF LAMPS WATTAGE LAMP BASE OPTIONS/ACCESSORIES VOLTAGE

SERIES

FEATURES

- ▶ Overall dimensions: 11-1/4" x ø15-1/16".
- ▶ Vandal-resistant polycarbonate lens with stainless steel screws.
- ▶ Dark bronze finish standard. Black or white finish available.
- ▶ Fully gasketed for wet locations.
- ▶ 1/2" NPS threaded hub and plugged conduit entry points.
- ▶ This fixture is proudly made in the USA.



SMPG SERIES

HOUSING — Die-cast aluminum.
REFLECTOR — Anodized aluminum reflector.
LENS — Vandal-resistant polycarbonate lens.
MOUNTING — Ceiling mount only. Not for use in wall mount applications.

LAMP OPTIONS (Must specify)

COMPACT FLUORESCENT

# LAMPS	WATTAGE	LAMP BASE
1, 2	26Q	G24q-3
1, 2	32T	GX24q-3
1, 2	42T	GX24q-4

OPTIONS

SF	Single fuse (120V or 277V only; must specify voltage)	DF	Double fuse (208V or 240V only; must specify voltage)
GMF	HLR-GMF style slow blow fuse. Factory-installed inside of unit. 120V or 277V only; must specify voltage.	BLK	Black finish (RAL #9004)
WHT	White finish (RAL #9003)		

ELECTRICAL

4-pin socket, electronic ballast standard. Prewired at factory for easy field installation. Rated 0°F minimum starting temperature.

ACCESSORIES

TP¹ Tamper-resistant (holt head) screws¹

¹ This option requires a tamper-resistant tool (ordered separately). Please specify quantity required per project.

VOLTAGE (Must specify)

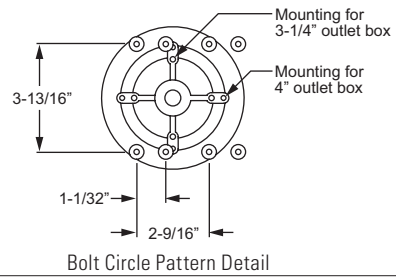
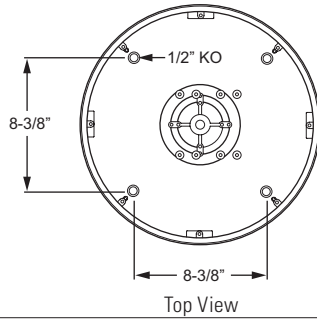
120	120V
208	208V
240	240V
277	277V
UNV	120-277V

FINISH

Powder coated finish on heavy-duty die-cast housing. Dark bronze finish standard. Black or white finish available.

CFL

MOUNTING



LABELS

cCSAus certified as luminaire suitable for wet locations.

