

DECORATIVE POLE TOP ASSEMBLY

AVPT36

SUBMITTAL:

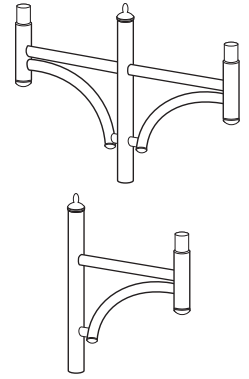
JOB:

TYPE:

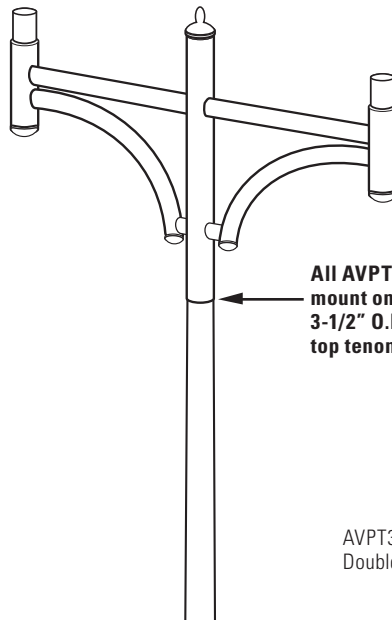
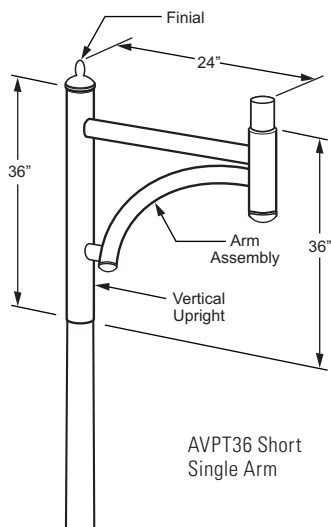
EXAMPLE:

VM - AVPT36 - A - S - ST - T238 - F - DBR

PREFIX SERIES MATERIAL ARM TYPE ARM SPAN FIXTURE MOUNTING FINIAL FINISH OPTIONS



SERIES



All AVPT36 assemblies must mount on a 4" O.D. pole with a 3-1/2" O.D. x 12" (T312) pole top tenon.

AVPT36 SERIES

All components are formed from an extruded seamless 6063 alloy aluminum tube. The size of the vertical upright is 4" O.D. and allows for a smooth pole combination using a tenon interface. The vertical upright fits over the pole top tenon. Luminaire arm assemblies are manufactured with a horizontal straight 2-3/8" O.D. extruded 6063 alloy aluminum tube, a curved 2-3/8" O.D. tube and a vertical 4" O.D. tube equipped with a pantheon pole top cap. All components are welded together.

POLE TOP MOUNTING

— Pole top assemblies are mounted to 4" O.D. shafts with the 3-1/2" x 12" (T312) pole top tenon. This must be specified with the pole to accommodate a pole top assembly. The pole top assembly is secured to the pole by two sets of three stainless steel set screws at 120° located on the vertical upright.

MATERIAL (Must specify)

A Aluminum

ARM TYPE (Must specify)

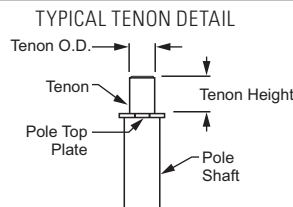
S Single **D180** Two arms @ 180° with 48" O.C. fixture span

ARM SPAN (Must specify)

ST Short

FIXTURE MOUNTING (Must specify)

T238 2-3/8" O.D. x 3" Round Tenon
T33 3" O.D. x 3" Round Tenon
TC Custom Round Tenon (Must specify tenon diameter (O.D.) and height, consult factory)



FIXTURE MOUNTING

Luminaire arms may be specified with the 2-3/8" O.D. tenon (T238) or 3" O.D. tenon (T33) for top mounted luminaires.

FINIAL

Pole top finial options Point (P), Globe (G), and Pantheon (R) are manufactured of cast aluminum and are mounted to the pole top assembly with two stainless steel fasteners. The Flat (F) finial is a one-piece push-in style polypropylene part.

FINIAL (Must specify)



G Globe



R Pantheon



F Flat Round Push-in
(Black finish only)



P Point

FINISH OPTIONS

Polyester powder coating applied over chromate pre-treatment.

FINISH OPTIONS (Must specify)

BLK	Black (RAL #9004)	GRN	Green (RAL #6005)
DBZ	Dark bronze	SLV	Satin aluminum (RAL #9006)
DBR	Medium bronze	WHT	White (RAL #9003)
GRAY	Standard gray	RAL# _____	Specify custom color

LOAD AND DIMENSIONAL DATA

POLE TOP SERIES	DIMENSIONS			LOAD DATA	
	OVERALL HEIGHT (IN.)	HORIZ. DISTANCE TO LUMINAIRE (IN.)	HEIGHT TO LUMINAIRE ABOVE POLE TOP (IN.)	POLE TOP ASSEMBLY EPA (SQ. FT.) ¹	POLE TOP ASSEMBLY WEIGHT (LBS.) ¹
AVPT36-A-S-ST	36	24	36	2.11	16
AVPT36-A-D180-ST	36	24	36	3.12	25

¹ Pole Top Assembly weight and EPA must be added to luminaire load data to determine appropriate pole size. Pole top assemblies are designed for a maximum load of 120 Lbs. and 5.0 EPA per luminaire.