

6DR dim to WARM

6" Downlight – Round

FIXTURE PERFORMANCE DATA

OPEN REFLECTOR TRIM TYPE

	DIST.	DELIVERED LUMENS	CCT AT 100% (FULL OUTPUT)	CCT AT 1% (FULL DIM)	WATTAGE	EFFICACY (lm/W)
L8	W	887	3000K	1800K	14.0	63.3
	M	860			14.0	61.5
	N	823			14.0	58.8
L15	W	1554			23.4	66.5
	M	1508			23.4	64.5
	N	1442			23.4	61.7
L25	W	2471			37.7	65.5
	M	2465			37.7	65.4
	N	2518			37.7	66.8

FLUSH LENS TRIM TYPE

	DIST.	DELIVERED LUMENS	CCT AT 100% (FULL OUTPUT)	CCT AT 1% (FULL DIM)	WATTAGE	EFFICACY (lm/W)
L8	W	739	3000K	1800K	14.0	52.8
	M	797			14.0	56.9
	N	802			14.0	57.3
L15	W	1296			23.4	55.5
	M	1397			23.4	59.8
	N	1405			23.4	60.1
L25	W	2123			37.7	56.3
	M	2284			37.7	60.6
	N	2302			37.7	61.1

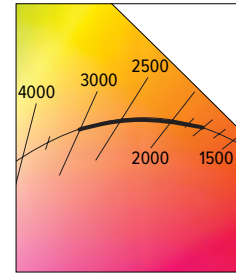
REGRESSED LENS TRIM TYPE

	DIST.	DELIVERED LUMENS	CCT AT 100% (FULL OUTPUT)	CCT AT 1% (FULL DIM)	WATTAGE	EFFICACY (lm/W)
L8	W	716	3000K	1800K	14.0	51.1
	M	775			14.0	55.4
	N	781			14.0	55.8
L15	W	1254			23.4	53.7
	M	1359			23.4	58.2
	N	1370			23.4	58.6
L25	W	2054			37.7	54.5
	M	2226			37.7	59.1
	N	2243			37.7	59.5

MULTIPLIER TABLES

	REFLECTOR FINISH	
	CATALOG NUMBER	CONVERSION FACTOR
O TRIM	CS	1.00
	SG ¹	0.92
	GD	0.93
	CG	0.96
	PW	0.86
	SPC	1.02
	RG	0.88
	WH ¹	0.89
	BL ¹	0.47
	R TRIM	WH
CS		0.98
BL		0.79

TRIM	
CATALOG NUMBER	CONVERSION FACTOR
S	0.85
AD	0.85
PD	0.85
TD	0.75
WET/CC ²	0.85

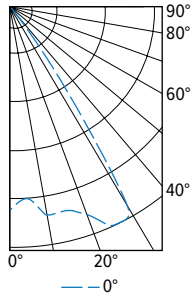


- ¹ Distribution will also be affected, consult factory.
- ² Use multiplier when specified with O Trim Type.

- Photometrics tested in accordance with IESNA LM-79. Results shown are based on 25°C ambient temperature.
- Wattage shown is based on 120V input.
- Results based on 3000K, 95 CRI, full output, actual lumens may vary +/-5%
- Use multiplier table to calculate additional options.

PHOTOMETRY

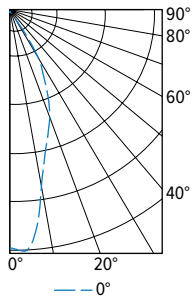
6DR-TL-L25/9DW-DIM-UNV-OW-OF-CS Total Luminaire Output: 2471 lumens; 37.7 Watts | Efficacy: 65.5 lm/W | 95.0 CRI; 3598K CCT



CANDLEPOWER DISTRIBUTION	VERTICAL ANGLE	HORIZONTAL ANGLE	ZONAL LUMENS
		0°	
	0	2078	
	5	1963	187
	15	2157	611
	25	2464	1140
	35	751	472
	45	57	44
	55	16	15
	65	2	2
	75	0	0
	85	0	0
	90	0	0

LUMEN SUMMARY	ZONE	LUMENS	% FIXTURE
	0 - 40	2410	98
	0 - 60	2470	100
	0 - 90	2471	100
	0 - 180	2471	100

6DR-TL-L25/9DW-DIM-UNV-OM-OF-CS Total Luminaire Output: 2465 lumens; 37.7 Watts | Efficacy: 65.4 lm/W | 95.0 CRI; 3579K CCT



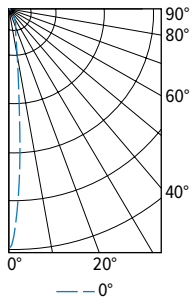
CANDLEPOWER DISTRIBUTION	VERTICAL ANGLE	HORIZONTAL ANGLE	ZONAL LUMENS
		0°	
	0	4988	
	5	4937	430
	15	2890	814
	25	1755	806
	35	492	341
	45	57	51
	55	17	16
	65	5	5
	75	1	2
	85	0	0
	90	0	0

LUMEN SUMMARY	ZONE	LUMENS	% FIXTURE
	0 - 40	2391	97
	0 - 60	2458	100
	0 - 90	2465	100
	0 - 180	2465	100



6DR dim to **WARM** 6" Downlight – Round

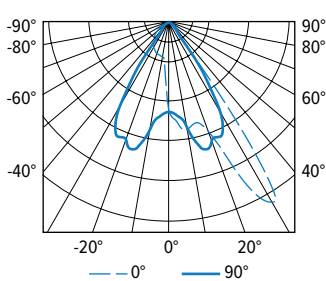
6DR-TL-L25/9DW-DIM-UNV-ON-OF-CS Total Luminaire Output: 2518 lumens; 37.7 Watts | Efficacy: 66.8 lm/W | 95.0 CRI; 3578K CCT



CANDLEPOWER DISTRIBUTION	VERTICAL ANGLE	HORIZONTAL ANGLE	ZONAL LUMENS
		0°	
	0	27346	
	5	12219	934
	15	2526	738
	25	1269	604
	35	301	222
	45	16	13
	55	5	5
	65	1	2
	75	0	0
	85	0	0
	90	0	0

LUMEN SUMMARY	ZONE	LUMENS	% FIXTURE
	0 - 40	2498	99
	0 - 60	2516	100
	0 - 90	2518	100
	0 - 180	2518	100

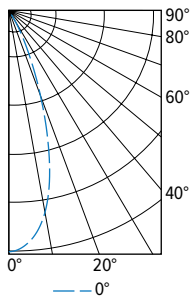
6DR-TL-L25/9DW-DIM-UNV-OWW-OF-CS Total Luminaire Output: 1255 lumens; 37.7 Watts | Efficacy: 33.3 lm/W | 95.0 CRI; 3568K CCT



CANDLEPOWER DISTRIBUTION	VERTICAL ANGLE	HORIZONTAL ANGLE					ZONAL LUMENS
		0°	45°	90°	135°	180°	
	0	960	960	960	960	960	
	5	1085	1048	1000	615	501	82
	15	1108	1084	1402	342	363	232
	25	1929	1149	1306	298	341	423
	35	670	497	466	256	291	262
	45	53	45	109	207	230	98
	55	26	25	67	144	152	74
	65	20	18	40	87	89	50
	75	8	6	19	48	48	27
	85	0	0	3	13	10	7
	90	0	0	0	0	0	0

LUMEN SUMMARY	ZONE	LUMENS	% FIXTURE
	0 - 40	999	80
	0 - 60	1170	93
	0 - 90	1255	100
	0 - 180	1255	100

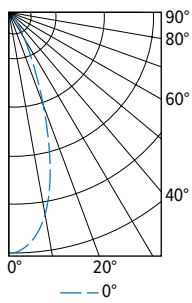
6DR-TL-L25/9DW-DIM-UNV-LM-OF-WH Total Luminaire Output: 2284 lumens; 37.7 Watts | Efficacy: 60.6 lm/W | 95.0 CRI; 3549K CCT



CANDLEPOWER DISTRIBUTION	VERTICAL ANGLE	HORIZONTAL ANGLE	ZONAL LUMENS
		0°	
	0	5392	
	5	5181	475
	15	3391	912
	25	1053	502
	35	275	183
	45	111	88
	55	66	59
	65	39	39
	75	20	21
	85	4	5
	90	0	0

LUMEN SUMMARY	ZONE	LUMENS	% FIXTURE
	0 - 40	2072	91
	0 - 60	2218	97
	0 - 90	2284	100
	0 - 180	2284	100

6DR-TL-L25/9DW-DIM-UNV-RM-OF-WH Total Luminaire Output: 2215 lumens; 37.7 Watts | Efficacy: 58.8 lm/W | 95.0 CRI; 3549K CCT



CANDLEPOWER DISTRIBUTION	VERTICAL ANGLE	HORIZONTAL ANGLE	ZONAL LUMENS
		0°	
	0	5361	
	5	5135	470
	15	3318	893
	25	1052	501
	35	279	184
	45	94	76
	55	51	46
	65	28	28
	75	12	13
	85	3	4
	90	0	0

LUMEN SUMMARY	ZONE	LUMENS	% FIXTURE
	0 - 40	2048	92
	0 - 60	2170	98
	0 - 90	2215	100
	0 - 180	2215	100

TRIMLOCK DETAILS

TWIST



PULL

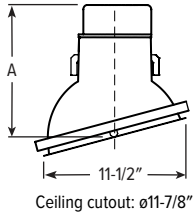


RELEASE



6DR dim to **WARM** 6" Downlight – Round

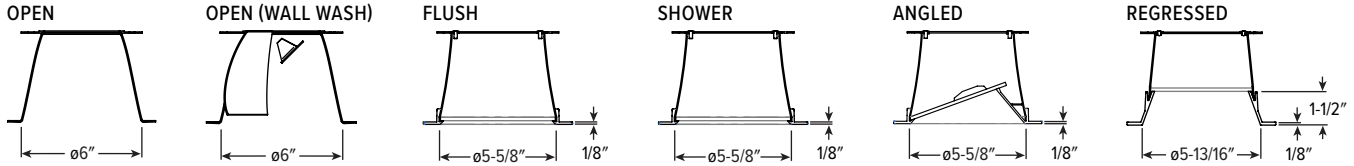
SLOPED CEILING ADAPTOR DETAILS



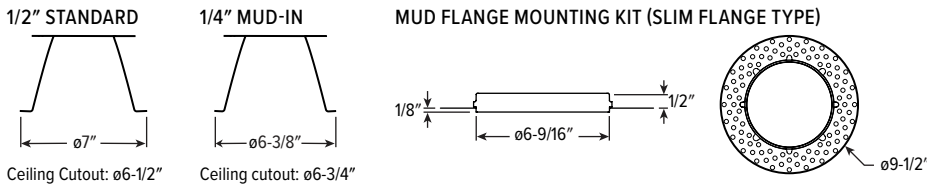
LUMENS	A (HEIGHT)						PLENUM HEIGHT
	5°	10°	15°	20°	25°	30°	
L8 - L15	10-11/16"	10-7/8"	10-15/16"	10-7/8"	10-13/16"	10-5/8"	11-1/4"
L25	11-7/16"	11-9/16"	11-5/8"	11-5/8"	11-1/2"	11-1/4"	12"

15° Shown

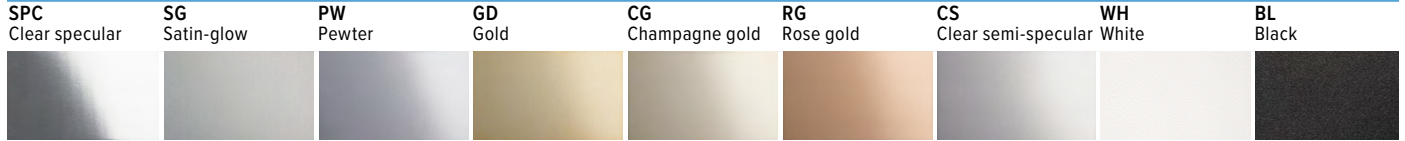
TRIM TYPE DETAILS



FLANGE TYPE DETAILS

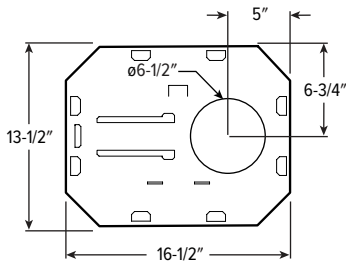


REFLECTOR FINISH DETAILS

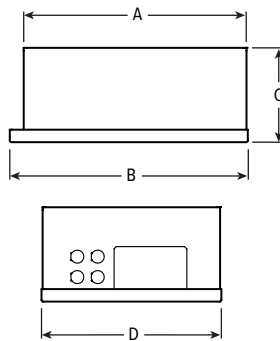


MOUNTING TYPE DETAILS

NEW CONSTRUCTION

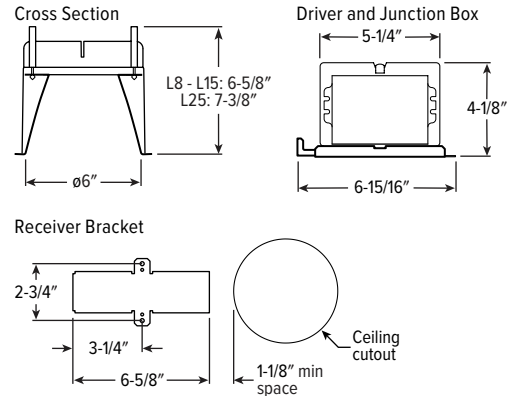


IC-RATED



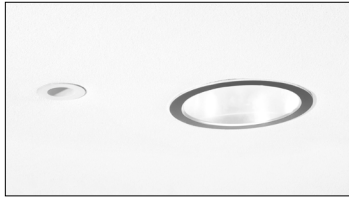
LUMENS	LENGTH			
	A	B	C	D
L8 - L15	15-3/16"	16"	6-3/8"	12-1/8"

REMODEL

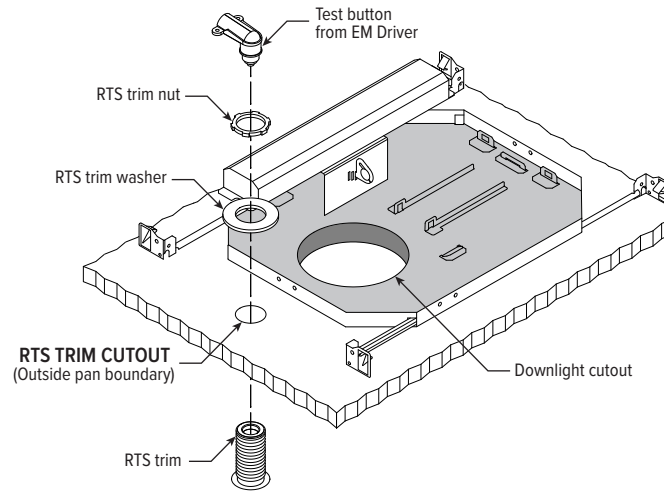


6DR dim to **WARM** 6" Downlight – Round

EM/10W/RTS DETAILS

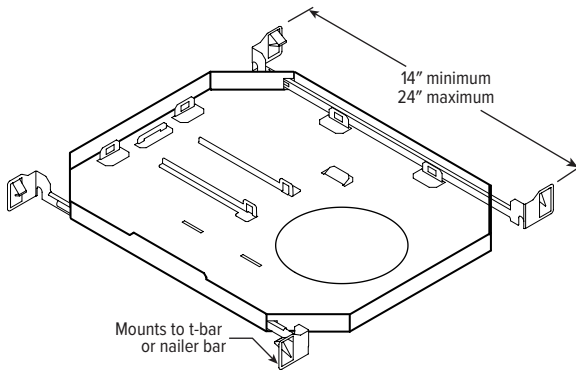


Shown Installed

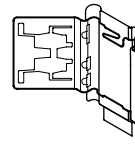


MOUNTING HARDWARE DETAILS

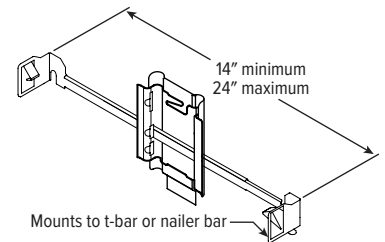
F1 Integral 2-position fixed pan bracket, universal bar hanger included



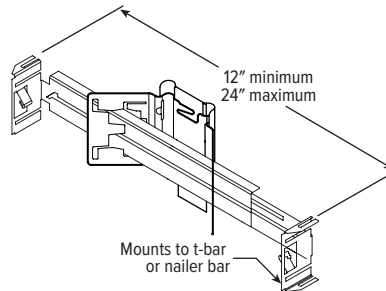
BA1 Adjustable butterfly pan bracket, bar hanger not included (N Mounting Type only)



CA1 Adjustable caterpillar pan bracket, universal bar hanger included (N Mounting Type only)



BA2 Adjustable butterfly pan bracket, heavy-duty universal bar hanger included (N Mounting Type only)



CA2 Adjustable caterpillar pan bracket, t-bar hanger included (N Mounting Type only)

