

# PAR EMERGENCY LIGHT

# EMER/PAR

CATALOG #: \_\_\_\_\_ TYPE: \_\_\_\_\_

PROJECT: \_\_\_\_\_

NOTES: \_\_\_\_\_

EXAMPLE

**EMER/PAR - WHT - OPTIONS - D**

SERIES

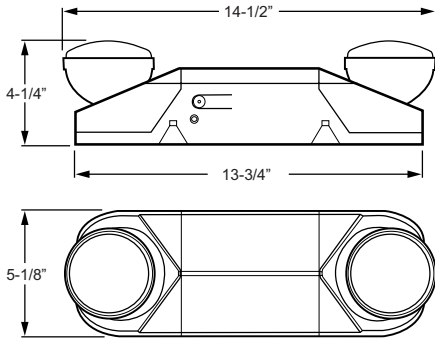
HOUSING  
COLOR

OPTIONS/  
ACCESSORIES

VOLTAGE



## CROSS SECTIONS



## ORDERING INFORMATION

### SERIES

**EMER/PAR** PAR Emergency Light

### HOUSING COLOR (Must specify)

**BLK** Black  
**WHT** Industry-standard white

### ACCESSORIES (Shipped separately)

See back for details.

**PC3** Polycarbonate shield  
**WG** Wireguard

### VOLTAGE

**D** 120V or 277V  
**SV\_\_** Special voltage, consult factory for options

## FEATURES

- ▶ Compact, low-profile design.
- ▶ 6-volt, sealed lead acid, maintenance-free battery provides 90 minutes of emergency operation.
- ▶ Fully automatic solid-state system recharges battery in 24 hours.
- ▶ Automatic, low voltage disconnect (LVD) activates unit in event of partial power failure or brownout.
- ▶ Built-in test switch.
- ▶ Charge rate/power on LED indicator light.
- ▶ Two fully adjustable glare-free 5.4W PAR-type lamp heads.
- ▶ High performance chrome-plated metalized reflector and plastic lens for optimal light distribution.



## SPECIFICATIONS

**Housing** – Injection-molded, engineering-grade, 5VA flame retardant, high-impact resistant, thermoplastic.

**Electrical** – Universal voltage, 120 or 277 VAC operation.

**Mounting** – Wall or ceiling mount. Top and side knockout for conduit applications.

**Labels** – Listed to UL 924 standard as an emergency light suitable for dry or damp locations (0°C - 50°C). Meets NFPA 101 Life Safety Code, NEC, OSHA, Local and State Codes.

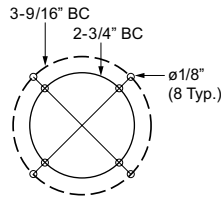
**Warranty** – 5-year limited warranty

## ELECTRICAL INFORMATION

Catalog Number	Input Watts (W)		Input Amps (A)	
	120V	277V	120V	277V
EMER/PAR	3.6	5.5	0.034	0.017

## FIXTURE DETAILS

### BOLT CIRCLE PATTERN



## ACCESSORIES

PC3	WG