

HEAVY-DUTY EMERGENCY LIGHT WITH REMOTE

EMER/HD

CATALOG #: _____ TYPE: _____

PROJECT: _____

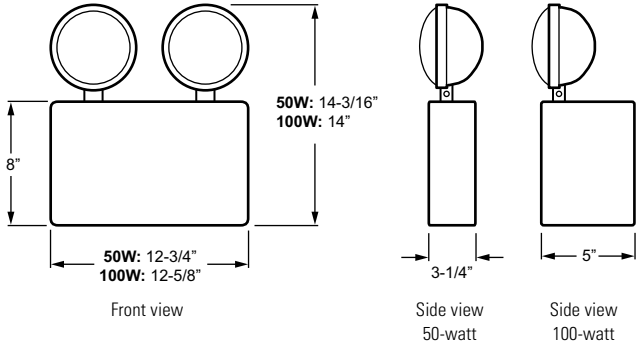
NOTES: _____

EXAMPLE → **EMER/HD12V - 100 - WHT - OPTIONS - D**

SERIES
WATTS
HOUSING COLOR
OPTIONS/ ACCESSORIES
VOLTAGE



CROSS SECTIONS



FEATURES

- ▶ 12-volt or 6-volt, sealed lead acid, maintenance-free battery provides 90 minutes of emergency operation
- ▶ Fully automatic solid-state system recharges battery in 24 hours.
- ▶ Automatic, low voltage disconnect (LVD) activates unit in event of partial power failure or brownout.
- ▶ Built-in test switch.
- ▶ Charge rate/power on LED indicator light.
- ▶ Two adjustable, glare-free lighting heads.
- ▶ 6V model offers 7.2W lamps, standard
- ▶ 12V 50W model offers 9W lamps, standard
- ▶ 12V 100W model offers 12W lamps, standard

ORDERING INFORMATION

SERIES

EMER/HD12V	12-Volt Heavy-Duty Emergency Light with Remote
EMER/HD6V	6-Volt Heavy-Duty Emergency Light with Remote

OPTIONS

HTR	Internal heater (50-watt only)
20WSB	20W sealed beam halogen (12-volt only; not available with remote head accessories)

ACCESSORIES (Shipped separately)

See back for details.
Additional remote heads available, see [Technical Info](#).

PC2	Polycarbonate shield
WG/COMBO	Wireguard
RH/HD	5.4-watt heavy-duty single remote head industry-standard white
DRH/HD	10.8-watt heavy-duty dual remote head, industry-standard white color
WETRH	7.2-watt wet location single remote head, industry-standard white
WETDRH	14.4-watt wet location dual remote head, industry-standard white

HOUSING COLOR (Must specify)

WHT	Industry-standard white
------------	-------------------------

WATTS (Must specify)

50	50-watt
100	100-watt

Watts for 1.5 hrs	Total Connected Heads/Fixtures		
	4 hrs	2 hrs	1.5 hrs
6-Volt¹			
50	2	4	6
100	4	9	12
12-Volt²			
50	2	3	5
100	4	7	10

VOLTAGE

D	120V or 277V
SV__	Special voltage, consult factory for options

¹ Based on 7.2-watt lamps, standard
² Based on 9-watt lamps, standard



SPECIFICATIONS

Housing – Injection-molded, engineering-grade, 5VA flame retardant, high-impact resistant, thermoplastic construction

Electrical – Universal voltage, 120 or 277 VAC operation.

Mounting – Wall mount. Side and top knockouts for conduit feed applications.

Labels – Listed to UL 924 standard as an emergency light suitable for dry locations (25°C). Meets NFPA 101 Life Safety Code, NEC, OSHA, Local and State Codes.

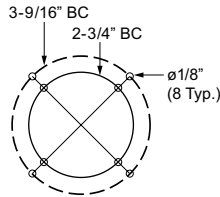
Warranty – 5-year limited warranty

ELECTRICAL INFORMATION

Catalog Number	Maximum Remote Capacity (W)	Input Watts (W)		Input Amps (A)	
		120V	277V	120V	277V
EMER/HD6V-50W	35.6	15.1	17.7	0.142	0.068
EMER/HD6V-100W	85.6	20.5	21.1	0.189	0.089
EMER/HD12V-50W	32.0	19.6	23.4	0.178	0.093
EMER/HD12V-100W	76.0	29.3	33.5	0.273	0.131

FIXTURE DETAILS

BOLT CIRCLE PATTERN



ACCESSORIES

RH/HD	DRH/HD	WETRH	WETDRH
PC2		WG/COMBO	