

# 12" ROUND CONCRETE BOLLARD

# OSC12R

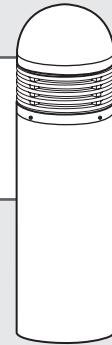
**SUBMITTAL:**

**CFL**

**JOB:**

**TYPE:**

**VOLTAGE:**



EXAMPLE

**OSC12R - 42TUNV - VG - FT - NC - DBR - AB - OPTIONS**

SERIES

ELECTRICAL PACKAGE

SHIELD

HOUSING TOP

HOUSING COLOR

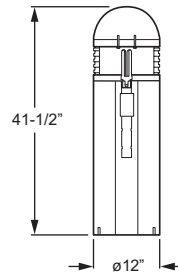
SHIELD FINISH

ANCHOR BOLTS

OPTIONS

## FEATURES

- ▶ Available with flat- or dome-shaped concrete top.
- ▶ Horizontal, vertical or louvered shields provide Type V distribution in a variety of styles.
- ▶ Concrete top and cast aluminum shield remove as one unit to provide access to lamp and removable ballast tray.
- ▶ Natural concrete housing complements gardens, pathways and pedestrian-area applications.
- ▶ This fixture is proudly made in the USA.



Shown with HG and DT  
See back for additional cross-sections and fixture weights

## SPECIFICATIONS

**Housing** – Prestressed, reinforced, cast hollow core concrete with a light sand blasted finish.

**Housing Top** – Cast, prestressed, reinforced concrete.

**Shield** – Cast aluminum grill, .188" thick with opal (HG or VG) or clear (LG) UV stabilized acrylic diffuser. Shield is secured to housing with stainless steel tamper-resistant hardware. Type V distribution.

**Shield Finish** – Super durable polyester powder coat bonded to phosphate-free, multi-stage pretreated metal, meets and exceeds AAMA 2604 specifications for outdoor durability.

**Electrical** – Prewired at factory. Ballast mounted on removable tray for ease of maintenance. Lamp is optional, please specify when ordering. Rated 0°F minimum starting temperature

**Mounting** – Four-point, hot dip galvanized carbon steel base. For accurate installation a full-scale mounting template is provided with every bollard and anchor bolt order.

**Labels** – cETLus conforms to UL STD 1598; Certified to CAN/CSA STD C22.2 No. 250.0. Suitable for wet locations.

## ORDERING INFORMATION

### SERIES

**OSC12R** 12" Round Concrete Bollard

### ELECTRICAL PACKAGE

| WATTAGE        | 18-WATT | 26-WATT | 32-WATT | 42-WATT |        |
|----------------|---------|---------|---------|---------|--------|
| SOCKET         | G24q-2  | G24q-3  | GX24q-3 | GX24q-4 |        |
| CATALOG NUMBER | 18Q120  | 26Q120  | 26T120  | 32T120  | 42T120 |
|                | 18Q208  | 26Q208  | 26T208  | 32T208  | 42T208 |
|                | 18Q240  | 26Q240  | 26T240  | 32T240  | 42T240 |
|                | 18Q277  | 26Q277  | 26T277  | 32T277  | 42T277 |
|                | 18QUNV  | 26QUNV  | 26TUNV  | 32TUNV  | 42TUNV |
|                | 18Q347  | 26Q347  | 26T347  | 32T347  | 42T347 |

### HOUSING COLOR

- NC** Natural concrete color (standard)
- CC** Specify custom concrete color (consult factory)

### SHIELD FINISH

- BLK** Black (RAL #9004)
- DBZ** Dark bronze
- DBR** Medium bronze
- GRAY** Standard gray
- GRN** Green (RAL #6005)
- SLV** Satin aluminum (RAL #9006)
- WHT** White (RAL #9003)
- RAL#** Specify custom color

### ANCHOR BOLTS

- AB<sup>1</sup>** Anchor bolts (4 each, shipped with fixture)<sup>1</sup>
- LAB** Less anchor bolts
- PAB<sup>1</sup>** Pre-shipped anchor bolts (4 each)<sup>1</sup>

### OPTIONS

- SF** Single fuse (120V, 277V, or 347V only; must specify voltage)
- DF** Double fuse (208V or 240V only; must specify voltage)

### SHIELD

See back for shielding details.

- HG** Horizontal cast grill with opal diffuser
- LG** Louvered cast grill with clear diffuser
- VG** Vertical cast grill with opal diffuser

### HOUSING TOP

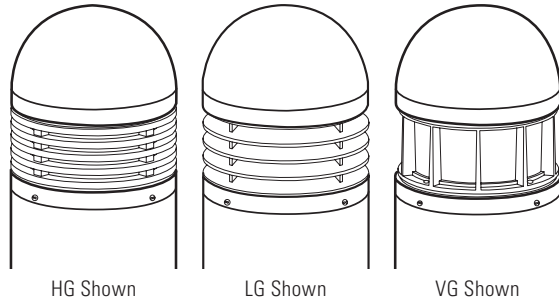
- DT** Dome top
- FT** Flat top

<sup>1</sup> Four 3/8" x 12" cast-in galvanized steel anchor J-bolts. Mounting template included.

CFL

## FIXTURE DETAILS

### SHIELDING

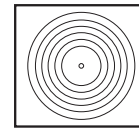


HG Shown

LG Shown

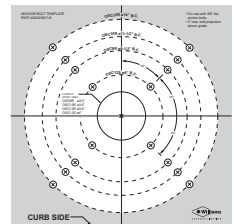
VG Shown

### DISTRIBUTION



Type V

### MOUNTING TEMPLATE



Mounting template is provided with each order. A pdf file (not to scale) of the mounting template is available at [www.hewilliams.com](http://www.hewilliams.com).

### CROSS-SECTIONS AND WEIGHTS

