

# 12" LIQUID-TIGHT TUBE LIGHT

# TL12

**SUBMITTAL:**

**T8**

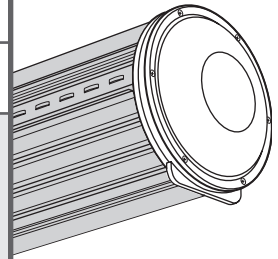
**JOB:**

**TYPE:**

**VOLTAGE:**

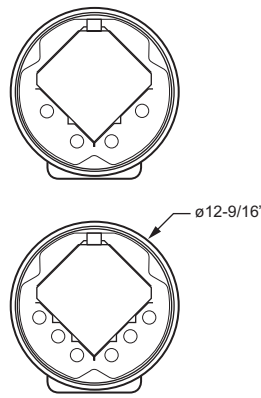
**EXAMPLE** → **TL12 - 4 - 4 32 - SUSP - 3WC6 - OPTIONS - EB2/2 - UNV**

SERIES    NOMINAL LENGTH    TOTAL WATTAGE/LAMPS TYPE    MOUNTING    POWER ENTRY    OPTIONS/ACCESSORIES    BALLAST TYPE    VOLTAGE



## FEATURES

- ▶ IP69K certified (176°F water temperature at 1450 PSI @ 4 GPM).
- ▶ NSF/ANSI Standard 2–Splash Zone certified.
- ▶ IP66 certified (IP65 certified with occupancy sensor).
- ▶ Can operate up to 40°C with high-ambient (HA/40C) option.<sup>1</sup>
- ▶ Auto-disconnect allows for make-or-break connection under load. Fully self-contained unit—including lamps and ballast(s)—slides out easily for maintenance or quick replacement of internal optical assembly (see back for details).
- ▶ End cap design stabilizes fixture when placed on flat surface.
- ▶ Optional wet location occupancy sensor available.
- ▶ Sleek, latch-free design remains secure during cleaning and minimizes accumulation of contaminants.
- ▶ Ideal for food preparation, hose-down areas, laboratories, and agricultural applications.
- ▶ This fixture is proudly made in the USA.



## SPECIFICATIONS

**Enclosure** – High-impact, .120" acrylic tube housing with white molded nylon end rings and end caps. Over-molded santoprene gasket is permanently affixed to end rings.

**Interior Housing** – Die-formed aluminum framework. 92% minimum average reflective white polyester powder coat bonded to phosphate-free, multi-stage pretreated metal. All parts painted after fabrication to facilitate installation, increase efficiency, and inhibit corrosion.

**Reflector** – 95% reflective highly specular aluminum.

**Electrical** – Electronic ballast standard, instant start T8, rated Class P.

**Mounting** – Surface or suspended.

**Labels & Certifications** – cCSAus listed as fluorescent luminaire suitable for wet locations; IP69K, NSF, and IP66 certified.<sup>2</sup>

## ORDERING INFORMATION

### SERIES

**TL12** 12" Liquid-Tight Tube Light

### NOMINAL LENGTH

**4** 4' (52" actual overall length)

### TOTAL LAMPS

**4 or 6**

### LAMP WATTAGE/TYPE

**32** 4', 32-watt T8

### MOUNTING (Must specify, see back for details)

**SUSP** Suspended (eyebolts, 46" O.C.)

**SURF** Surface

### POWER ENTRY (Must specify)

Wet location cord sets are yellow.

**3WC6** 3-wire, 6' STOW cord

**3WC20** 3-wire, 20' STOW cord

**4WC6** 4-wire, 6' STOW cord

**4WC20** 4-wire, 20' STOW cord

**3WMR** 3-wire mini-male receptacle only

**3WMR6** 3-wire mini-male receptacle with 6' STOW cord

**3WMR20** 3-wire mini-male receptacle with 20' STOW cord

**4WMR** 4-wire mini-male receptacle only

**4WMR6** 4-wire mini-male receptacle with 6' STOW cord

**4WMR20** 4-wire mini-male receptacle with 20' STOW cord

### OPTIONS/ACCESSORIES

**HA/40C<sup>1</sup>** High-ambient, 40°C max. operating temp. (2-lamp EBHWA ballast(s) only)<sup>1</sup>

### OPTIONS/ACCESSORIES (Continued)

**GMF<sup>2</sup>** Fuse, slow blow (specify voltage)<sup>2</sup>

**GLR<sup>2</sup>** Fuse, fast blow (specify voltage)<sup>2</sup>

**SSC** 18" stainless steel suspension chains with S-hooks

**SSC3** 3' stainless steel suspension chains with S-hooks

**SSC6** 6' stainless steel suspension chains with S-hooks

### OCCUPANCY SENSORS<sup>3</sup>

Occupancy sensor must be specified from the following (specify voltage):

**OCCWS HB350W-L3W/120<sup>3</sup>**

**OCCWS HB350W-L3W/277<sup>3</sup>**

**OCCWS HB350W-L4W/120<sup>3</sup>**

**OCCWS HB350W-L4W/277<sup>3</sup>**

### BALLAST TYPE

**EM and dimming ballasts not available on TL12.**

**EB4** 4-lamp electronic ballast

**EB2/2** (2) 2-lamp electronic ballasts

**EBHWA2/2** (2) 2-lamp high-wattage, high-ambient electronic ballasts

**EB2/2/2** (3) 2-lamp electronic ballasts

**EBHWA2/2/2** (3) 2-lamp high-wattage, high-ambient electronic ballasts

**EB3/3** (2) 3-lamp electronic ballasts

**EB4/2** (1) 4-lamp and (1) 2-lamp electronic ballast

### VOLTAGE

**120** 120V

**208** 208V

**240** 240V

**277** 277V

**UNV** 120-277V

<sup>1</sup> Amalgam lamps recommended.

<sup>2</sup> Two (2) fuses required when specifying 208V or 240V.

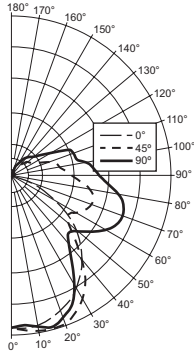
<sup>3</sup> Fixture is IP65 certified when specified with occupancy sensor.

## PHOTOMETRY

Catalog #: TL12-4-432-EB2/2

### TEST REPORT INFORMATION

- ▶ Test Report #: 14057.0
- ▶ Date: 05/07/08
- ▶ Ballast Factor: 1.18
- ▶ Lamp Type: F32T8
- ▶ Lamp Quantity: 4



### LUMEN SUMMARY

Zone	Lumens	% Lamp	% Fixture
0 - 30	1832.	13.2	17.3
0 - 40	2928.	21.0	27.6
0 - 60	4960.	35.6	46.8
0 - 90	8099.	58.2	76.4
90 - 120	1820.	13.1	17.2
90 - 130	2102.	15.1	19.8
90 - 150	2407.	17.3	22.7
90 - 180	2497.	17.9	23.6
<b>Total Luminaire:</b>			
0 - 180	10595.	76.1	100.0

Total Luminaire Optical Efficiency: **76.1%**  
IES Spacing Criteria: End = 1.3, Diagonal = 1.3, Across = 1.2

### CANDLEPOWER DISTRIBUTION

Vertical Angle	Horizontal Angle			Zonal Lumens
	0°	45°	90°	
0°	2215.	2215.	2215.	
5°	2233.	2259.	2181.	213.6
15°	2153.	2295.	2271.	641.1
25°	1990.	2184.	2053.	977.6
35°	1730.	1842.	1503.	1095.3
45°	1377.	1271.	1152.	1015.5
55°	969.	972.	1417.	1017.1
65°	518.	1157.	1673.	1092.9
75°	162.	1221.	1675.	1116.2
85°	20.	995.	1396.	929.3
90°	11.	868.	1264.	
95°	11.	789.	1185.	750.4
105°	22.	673.	956.	592.7
115°	33.	476.	908.	476.9
125°	41.	334.	551.	281.6
135°	47.	291.	391.	190.6
145°	52.	192.	311.	115.0
155°	63.	121.	190.	57.1
165°	78.	91.	95.	24.6
175°	79.	91.	78.	7.9
180°	85.	85.	85.	

### ZONAL CAVITY COEFFICIENTS

Room Cavity Ratio	Ceiling			Wall			Floor		
	.80	.70	.50	.80	.70	.50	.80	.70	.50
0	.86	.86	.86	.82	.82	.82	.75	.75	.75
1	.77	.72	.68	.73	.69	.65	.62	.59	.56
2	.69	.62	.56	.65	.59	.53	.53	.49	.45
3	.62	.54	.47	.59	.51	.45	.46	.41	.37
4	.57	.47	.40	.54	.45	.39	.41	.36	.31
5	.52	.42	.35	.49	.40	.33	.36	.31	.27
6	.48	.38	.31	.45	.36	.29	.33	.27	.23
7	.44	.34	.27	.42	.32	.26	.29	.24	.20
8	.41	.31	.24	.39	.29	.23	.27	.21	.18
9	.38	.28	.21	.36	.26	.20	.24	.19	.15
10	.35	.25	.19	.33	.24	.18	.22	.17	.14

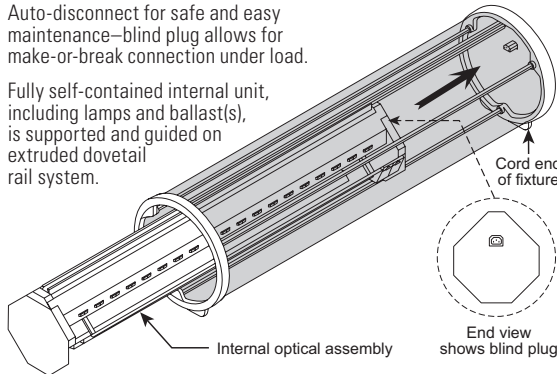
Effective Floor Cavity Reflectance = .20

## FIXTURE DETAILS

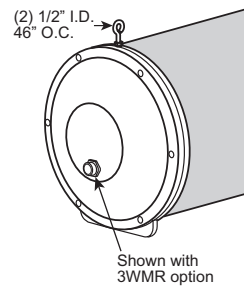
### AUTO-DISCONNECT

Auto-disconnect for safe and easy maintenance—blind plug allows for make-or-break connection under load.

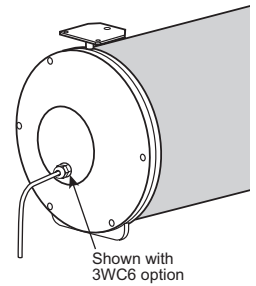
Fully self-contained internal unit, including lamps and ballast(s), is supported and guided on extruded dovetail rail system.



### SUSPENDED MOUNT



### SURFACE MOUNT



### SURFACE MOUNT BOLT PATTERN DETAIL

