

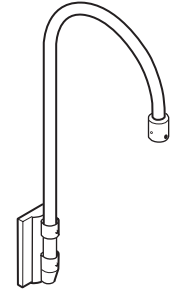
WALL MOUNT HOOK ASSEMBLY

WMHK

SUBMITTAL:

JOB:

TYPE:



EXAMPLE:

WMHK - S - DBR

SERIES

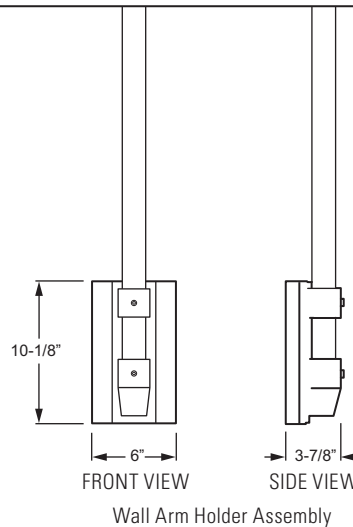
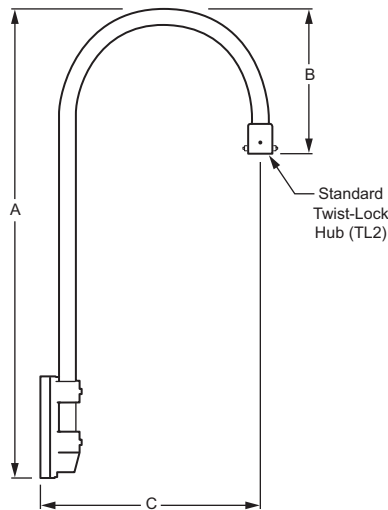
FIXTURE
SIZE

FINISH
OPTIONS



This assembly is proudly made in the USA.

SERIES



WMHK SERIES

The WMHK arm is formed from a 1-1/4" schedule 40 aluminum pipe. Outer pipe diameter is 1-5/8"; inner diameter is 1-3/8". Cast aluminum wall arm holder assembly secures to 11-gauge galvanized steel mounting plate.

FIXTURE SIZE (Must specify)

		DIMENSIONS			
		A	B	C	WEIGHT
S	Maximum fixture diameter of 19"	46-1/4"	14-5/16"	17-3/4"	10 Lbs.
M	Maximum fixture diameter of 24"	45-1/4"	13-5/16"	19-3/4"	10 Lbs.
L	Maximum fixture diameter of 27"	44-1/4"	12-5/16"	21-3/4"	11 Lbs.

FINISH OPTIONS (Must specify)

BLK	Black (RAL #9004)	GRN	Green (RAL #6005)
DBZ	Dark bronze	SLV	Satin aluminum (RAL #9006)
DBR	Medium bronze	WHT	White (RAL #9003)
GRAY	Standard gray	RAL#	Specify custom color

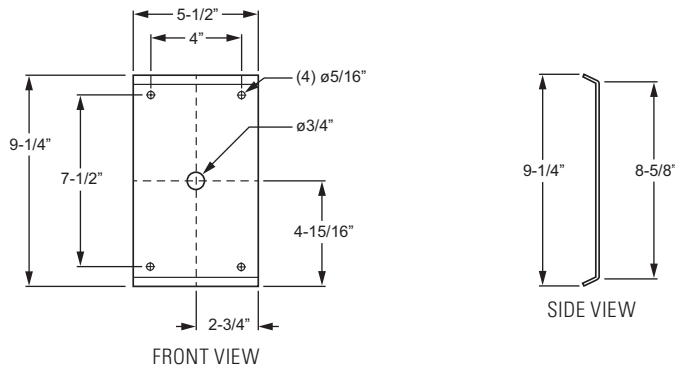
FINISH OPTIONS

Super durable polyester powder coat meets and exceeds AAMA 2604 specifications for outdoor durability.

WALL MOUNTING

11-gauge galvanized steel plate. Secured to wall with (4) 1/4-20 bolts (provided by others). Wall arm holder assembly is secured to back plate with (4) stainless steel set screws. See installation instructions for details.

BACK MOUNTING PLATE



FIXTURE MOUNTING

The luminaire mounts using an exclusive twist-lock hub welded to the end of the arm with wire way. The 1/4-turn self-leveling TL2 hub provides for ease of field installation. The luminaire is secured using three stainless steel leveling set screws at 120° and one stainless steel socket-head-cap through-bolt acting as an anti-rotation and locking device.

FIXTURE MOUNTING

