

ROUND ARCHITECTURAL PENDANT

RNDP

T5 | T8 - 2'

CATALOG #:

TYPE:

PROJECT:

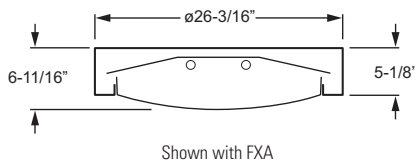
NOTES:

EXAMPLE

RNDP - 2 - 2 40TT - FXA - ACF*3P/D24 - OPTIONS - EB2 - UNV

SERIES NOMINAL DIAMETER TOTAL LAMPS WATTAGE/TYPE LENS MOUNTING OPTIONS/ACCESSORIES BALLAST TYPE VOLTAGE

CROSS SECTION



ORDERING INFORMATION

SERIES

RNDP Round Architectural Pendant

NOMINAL DIAMETER

2 2'

TOTAL LAMPS

1 or 2 (1-lamp for 32U only)

LAMP WATTAGE/TYPE

1-LAMP OPTIONS

32U 2', U-bent, 32-watt T8, 6" leg spacing

2-LAMP OPTIONS

14T5S 2', 14-watt T5

17 2', 17-watt T8

24T5H 2', 24-watt T5HO

31UN 2', U-bent, 31-watt T8, 1-5/8" leg spacing

40TT 2', 40-watt long twin tube

50TT 2', 50-watt long twin tube

55TT 2', 55-watt long twin tube

LENS

See back for lens details.

FFA Frosted flat acrylic lens

FXA Frosted convex acrylic lens

MOUNTING

See back for details.

EXAMPLE: ACF*3P/D24			
PREFIX	FIXTURE SIZE	TYPE	LENGTH
Adjustable Aircraft Cable			
ACF*	3P/ = 2' or 3' unit	D = 1" grid & hardpan	24 = 24"
		N = 9/16" grid	48 = 48"
		S = Slot grid	96 = 96"
Pendant Mount			
PM			Specify length in inches (12" standard)

OPTIONS & ACCESSORIES

For generic EM ballast options (must specify voltage), see [Technical Info](#). Ballast size restrictions apply. Consult factory.

AMW Anti-microbial white finish

CORD FOR SUSPENDED PRODUCT

Units specified with ACF*options require cord. Please specify cord type using ordering example below.

EXAMPLE: S2438/W				
CORD TYPE	LENGTH	# OF CONDUCTORS	WIRE SIZE	COLOR
S = Straight	24 = 24"	3 = 3	8 = 18-gauge	/B = Black /W = White
	48 = 48"	4 = 4		
	96 = 96"	5 = 5		

BALLAST TYPE

Ballast size restrictions apply. Consult factory.

EB1 1-lamp electronic ballast

EB2 2-lamp electronic ballast

VOLTAGE

UNV 120-277V

347 347V

FEATURES

- ▶ Sleek aircraft cable or pendant mount
- ▶ Round, suspended architectural fixture adds visual interest to a variety of applications.
- ▶ Frosted, round acrylic lens provides soft, uniform light distribution.
- ▶ Flat or convex lens profile adds diversity.
- ▶ Lift-and-twist lens assembly allows for easy maintenance.
- ▶ Numerous lamp types and configurations available.
- ▶ This fixture is proudly made in the USA.



T5 | T8 – 2'

Catalog #: RNDP-2-240TT-FXA

SPECIFICATIONS

Housing – .080" spun aluminum outer housing with a 20-gauge C.R.S. back plate.

Shielding – Frosted acrylic lens, .125" thick.

Finish – Textured matte white polyester TGIC powder coat bonded to phosphate-free, multi-stage pretreated metal. All parts painted after fabrication to facilitate installation, increase efficiency, and inhibit corrosion.

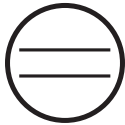
Electrical – Electronic ballast standard, rated Class P. Default offering shown in chart below.

Lamp	Instant Start	Program Start
T5		•
T8	•	
31UN	•	
32U	•	
40TT	•	
50TT		•
55TT		•

Mounting – Suspended. Adjustable steel aircraft cable mounts to 1/4-20 stud provided by others; or use 3/8" IPS stem and canopy kit. See back for more information.

Labels – UL/CUL listed as fluorescent luminaire suitable for dry or damp locations.

MAXIMUM LAMP CONFIGURATIONS



T5 or T8 Lamps



Narrow U-Lamps



U-Lamp

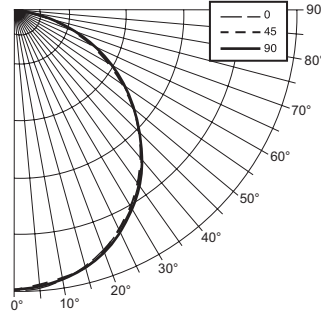


Twin Tube Lamps

PHOTOMETRY

TEST REPORT INFORMATION

- ▶ Test Report #: 16399.0
- ▶ Date: 10/25/11
- ▶ Lamp Type: FT40W/2G11
- ▶ Lamp Quantity: 2



ZONAL CAVITY COEFFICIENTS

	Ceiling			Wall			Floor			
	.80	.70	.50	.80	.70	.50	.80	.70	.50	
Room Cavity Ratio	0	.78	.78	.78	.77	.77	.77	.73	.73	.73
1	.72	.69	.66	.70	.68	.65	.65	.63	.61	
2	.66	.61	.57	.64	.60	.56	.57	.54	.51	
3	.61	.54	.49	.59	.53	.48	.51	.47	.44	
4	.56	.48	.42	.54	.47	.42	.45	.41	.37	
5	.51	.42	.37	.49	.42	.36	.40	.36	.32	
6	.47	.38	.32	.45	.37	.32	.36	.31	.28	
7	.43	.34	.28	.42	.34	.28	.33	.28	.24	
8	.40	.31	.25	.39	.30	.25	.29	.24	.21	
9	.36	.27	.22	.35	.27	.22	.26	.21	.18	
10	.34	.25	.20	.33	.25	.20	.24	.19	.16	

Effective Floor Cavity Reflectance = .20

CANDLEPOWER DISTRIBUTION

Vertical Angle	Horizontal Angle			Zonal Lumens
	0°	45°	90°	
0°	1475.	1475.	1475.	
5°	1474.	1465.	1464.	140.1
15°	1421.	1416.	1423.	402.2
25°	1319.	1309.	1322.	609.1
35°	1155.	1151.	1164.	726.3
45°	958.	963.	968.	744.0
55°	729.	734.	746.	659.3
65°	498.	494.	507.	495.2
75°	268.	261.	273.	282.6
85°	84.	85.	75.	90.1
90°	22.	24.	18.	

LUMEN SUMMARY

Zone	Lumens	% Lamp	% Fixture
0 - 30	1151.	18.3	27.8
0 - 40	1878.	29.8	45.3
0 - 60	3281.	52.1	79.1
0 - 90	4149.	65.9	100.0
Total Luminaire:			
0 - 180	4149.	65.9	100.0

Total Luminaire Optical Efficiency: **65.9%**

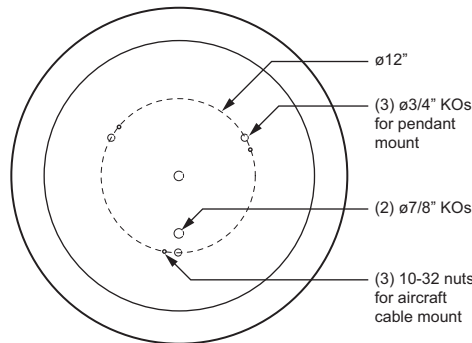
IES Spacing Criteria: End = 1.3

Diagonal = 1.2

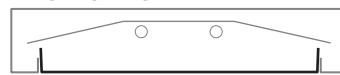
Across = 1.3

FIXTURE DETAILS

MOUNTING INFORMATION



LENS PROFILES

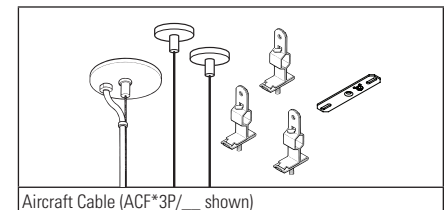


Shown with FFA



Shown with FXA

STANDARD HARDWARE



Aircraft Cable (ACF*3P/___ shown)

Fixtures are provided with:

- Adjustable length aircraft cables, must specify.
- White cord, No. 18 AWG.
- One 5" and two 2" canopies.
- T-bar clips with 1/4-20 stud.
- Hard ceiling anchor provided by others.
- See instruction sheet for more information.