

ROUND ARCHITECTURAL PENDANT

RNDP

T5 | T8 - 4'

CATALOG #:

TYPE:

PROJECT:

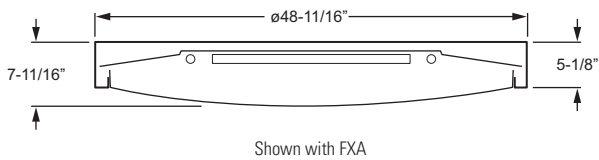
NOTES:

EXAMPLE

RNDP - 4 - 5 32U - FXA - ACF*4P/D24 - OPTIONS - EB3/2 - UNV

SERIES NOMINAL DIAMETER TOTAL LAMPS WATTAGE/TYPE LENS MOUNTING OPTIONS/ACCESSORIES BALLAST TYPE VOLTAGE

CROSS SECTION



ORDERING INFORMATION

SERIES

RNDP Round Architectural Pendant

NOMINAL DIAMETER

4 4'

TOTAL LAMPS

5 or 7 (5-lamp option for 32U only)

LAMP WATTAGE/TYPE

5-LAMP OPTIONS

32U 2', U-bent, 32-watt T8, 6" leg spacing

7-LAMP OPTIONS

514T5S/221T5S (5) 2', 14-watt T5/(2) 3', 21-watt T5
517/225 (5) 2', 17-watt T8/(2) 3', 25-watt T8
524T5H/239T5H (5) 2', 24-watt T5HO/(2) 3', 39-watt T5HO

LENS

See back for lens details.

FFA Frosted flat acrylic lens

FXA Frosted convex acrylic lens

MOUNTING

See back for details.

EXAMPLE: ACF*4P/D24			
PREFIX	FIXTURE SIZE	TYPE	LENGTH
Adjustable Aircraft Cable			
ACF*	4P/ = 4' unit	D = 1" grid & hardpan	24 = 24"
		N = 9/16" grid	48 = 48"
		S = Slot grid	96 = 96"
Pendant Mount			
PM			Specify length in inches (12" standard)

OPTIONS & ACCESSORIES

For generic EM ballast options (must specify voltage), see [Technical Info](#). Ballast size restrictions apply. Consult factory.

AMW Anti-microbial white finish

CORD FOR SUSPENDED PRODUCT

Units specified with ACF* options require cord. Please specify cord type using ordering example below.

EXAMPLE: S2438/W				
CORD TYPE	LENGTH	# OF CONDUCTORS	WIRE SIZE	COLOR
S = Straight	24 = 24"	3 = 3	8 = 18-gauge	/B = Black /W = White
	48 = 48"	4 = 4		
	96 = 96"	5 = 5		

BALLAST TYPE

Ballast size restrictions apply. Consult factory.

5-LAMP BALLAST OPTIONS

EB4/1 (1) 4-lamp and (1) 1-lamp electronic ballast

EB3/2 (1) 3-lamp and (1) 2-lamp electronic ballast

EB2/2/1 (2) 2-lamp and (1) 1-lamp electronic ballast

7-LAMP BALLAST OPTIONS

EB4/2/1 (1) 4-lamp, (1) 2-lamp, and (1) 1-lamp electronic ballast (T8 only)

EB3/2/2 (1) 3-lamp and (2) 2-lamp electronic ballasts (T8 only)

EB2/2/2/1 (3) 2-lamp and (1) 1-lamp electronic ballast

VOLTAGE

UNV 120-277V

347 347V

FEATURES

- ▶ Round, suspended architectural fixture adds visual interest to a variety of applications.
- ▶ Sleek aircraft cable or pendant mount.
- ▶ Frosted, round acrylic lens provides soft, uniform light distribution.
- ▶ Flat or convex lens profile adds diversity.
- ▶ Lift-and-twist lens assembly allows for easy maintenance.
- ▶ Numerous lamp types and configurations available.
- ▶ This fixture is proudly made in the USA.



T5 | T8 - 4'

Catalog #: RNDP-4-532U-FXA

SPECIFICATIONS

Housing - .080" spun aluminum outer housing with a 19-gauge C.R.S. back plate.

Shielding - Frosted acrylic lens, .125" thick.

Finish - Textured matte white polyester TGIC powder coat bonded to phosphate-free, multi-stage pretreated metal. All parts painted after fabrication to facilitate installation, increase efficiency, and inhibit corrosion.

Electrical - Electronic ballast standard, rated Class P. Default offering shown in chart below.

Lamp	Instant Start	Program Start
T5		•
T8	•	
32U	•	

Mounting - Suspended. Adjustable steel aircraft cable mounts to 1/4-20 stud provided by others; or use 3/8" IPS stem and canopy kit. See installation instructions for details.

Labels - UL/CUL listed as fluorescent luminaire suitable for dry or damp locations.

MAXIMUM LAMP CONFIGURATIONS



(7) T5 or T8 Lamps

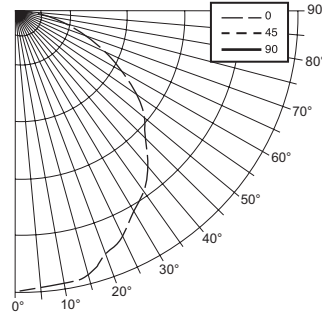


U-Lamps

PHOTOMETRY

TEST REPORT INFORMATION

- ▶ Test Report #: 16401.0
- ▶ Date: 10/17/11
- ▶ Lamp Type: F32T8/835/U6
- ▶ Lamp Quantity: 5



ZONAL CAVITY COEFFICIENTS

	Ceiling			Wall			Floor			
	.80	.70	.50	.70	.50	.30	.50	.30	.10	
Room Cavity Ratio	0	.89	.89	.89	.87	.87	.87	.83	.83	.83
1	.82	.79	.75	.80	.77	.74	.74	.71	.69	
2	.75	.69	.64	.73	.68	.63	.65	.61	.58	
3	.69	.61	.55	.67	.60	.55	.58	.53	.49	
4	.63	.54	.48	.61	.53	.47	.52	.46	.42	
5	.57	.48	.41	.56	.47	.41	.46	.40	.36	
6	.53	.43	.36	.51	.42	.36	.41	.35	.31	
7	.49	.39	.32	.47	.38	.32	.37	.31	.27	
8	.45	.35	.28	.44	.34	.28	.33	.28	.24	
9	.41	.31	.25	.40	.31	.25	.30	.24	.20	
10	.38	.28	.22	.37	.28	.22	.27	.22	.18	

Effective Floor Cavity Reflectance = .20

CANDLEPOWER DISTRIBUTION

Vertical Angle	Horizontal Angle Average Candela	Zonal Lumens
0°	3694.	
5°	3667.	350.0
15°	3631.	1029.2
25°	3309.	1531.8
35°	2917.	1832.6
45°	2385.	1846.7
55°	1927.	1729.1
65°	1309.	1299.2
75°	692.	732.1
85°	194.	211.4
90°	0.	

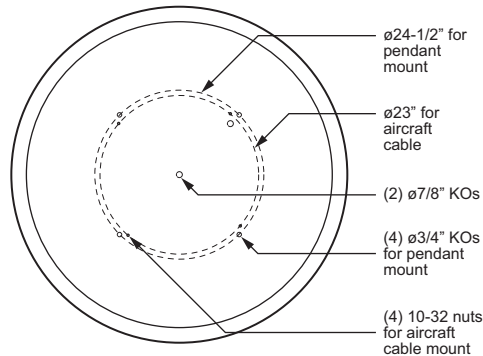
LUMEN SUMMARY

Zone	Lumens	% Lamp	% Fixture
0 - 30	2911.	20.6	27.6
0 - 40	4744.	33.6	44.9
0 - 60	8319.	58.9	78.8
0 - 90	10562.	74.8	100.0
Total Luminaire:			
0 - 180	10562.	74.8	100.0

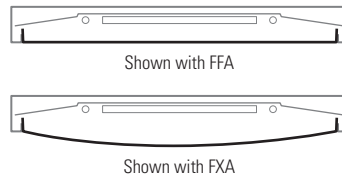
Total Luminaire Optical Efficiency: **74.8%**
IES Spacing Criteria: Diagonal = 0.9
Across = 1.2

FIXTURE DETAILS

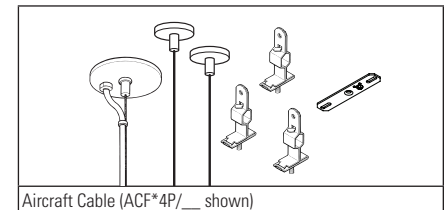
MOUNTING INFORMATION



LENS PROFILES



STANDARD HARDWARE



Fixtures are provided with:

- Adjustable length aircraft cables, must specify.
- White cord, No. 18 AWG.
- One 5" and two 2" canopies.
- T-bar clips with 1/4-20 stud.
- Hard ceiling anchor provided by others.
- See instruction sheet for more information.