

# ROUND ARCHITECTURAL SURFACE MOUNT

# RNDS

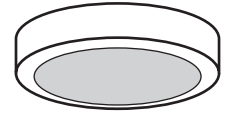
**SUBMITTAL:**

2'

**JOB:**

**TYPE:**

**VOLTAGE:**



EXAMPLE

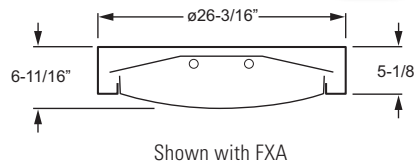
**RNDS - 2 - 2 40TT - FXA - OPTIONS - EB2 - UNV**

SERIES      NOMINAL DIAMETER      TOTAL LAMPS      WATTAGE/TYPE      LENS      OPTIONS      BALLAST      VOLTAGE TYPE



## FEATURES

- ▶ Round, surface mounted, architectural fixture adds visual interest to a variety of applications.
- ▶ Frosted, round acrylic lens provides soft, uniform light distribution.
- ▶ Flat or convex lens profile adds diversity.
- ▶ Lift-and-twist lens assembly allows for easy maintenance.
- ▶ Numerous lamp types and configurations available.
- ▶ This fixture is proudly made in the USA.



## SPECIFICATIONS

**Housing** – .080" spun aluminum outer housing with a 20-gauge C.R.S. back plate.

**Shielding** – Frosted acrylic lens, .125" thick.

**Finish** – Textured matte white polyester TGIC powder coat bonded to phosphate-free, multi-stage pretreated metal. All parts painted after fabrication to facilitate installation, increase efficiency, and inhibit corrosion.

**Electrical** – Electronic ballast standard, rated Class P. Default offering shown in chart below.

Lamp	Instant Start	Program Start
T5		•
T8	•	
31UN	•	
32U	•	
40TT	•	
50TT		•
55TT		•

**Mounting** – Surface mount.

**Labels** – UL/CUL listed as fluorescent luminaire suitable for dry or damp locations.



## ORDERING INFORMATION

### SERIES

**RNDS** Round Architectural Surface Mount

### NOMINAL DIAMETER

**2** 2'

### TOTAL LAMPS

**1 or 2** (1-lamp for 32U only)

### LAMP WATTAGE/TYPE

#### 1-LAMP OPTIONS

**32U** 2', U-bent, 32-watt T8, 6" leg spacing

#### 2-LAMP OPTIONS

**14T5S** 2', 14-watt T5

**17** 2', 17-watt T8

**24T5H** 2', 24-watt T5HO

**31UN** 2', U-bent, 31-watt T8, 1-5/8" leg spacing

**40TT** 2', 40-watt long twin tube

**50TT** 2', 50-watt long twin tube

**55TT** 2', 55-watt long twin tube

### LENS

See back for lens details.

**FFA** Frosted flat acrylic lens

**FXA** Frosted convex acrylic lens

### OPTIONS

For generic **EM ballast** options (must specify voltage), see Fluorescent Information section. Ballast size restrictions apply. Consult factory.

### BALLAST TYPE

Ballast size restrictions apply. Consult factory.

**EB1** 1-lamp electronic ballast

**EB2** 2-lamp electronic ballast

### VOLTAGE

**UNV** 120-277V

**347** 347V

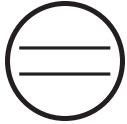


2'

## PHOTOMETRY INFORMATION

Catalog #: **RNDS-2-240TT-FXA**

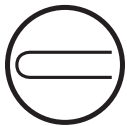
### MAXIMUM LAMP CONFIGURATIONS



T5 or T8 Lamps



Narrow U-Lamps



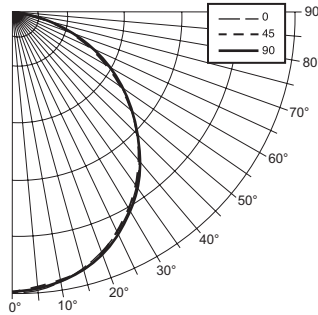
U-Lamp



Twin Tube Lamps

### TEST REPORT INFORMATION

- ▶ Test Report #: 16399.0
- ▶ Date: 10/25/11
- ▶ Lamp Type: FT40W/2G11
- ▶ Lamp Quantity: 2



### CANDLEPOWER DISTRIBUTION

Vertical Angle	Horizontal Angle			Zonal Lumens
	0°	45°	90°	
0°	1475.	1475.	1475.	
5°	1474.	1465.	1464.	140.1
15°	1421.	1416.	1423.	402.2
25°	1319.	1309.	1322.	609.1
35°	1155.	1151.	1164.	726.3
45°	958.	963.	968.	744.0
55°	729.	734.	746.	659.3
65°	498.	494.	507.	495.2
75°	268.	261.	273.	282.6
85°	84.	85.	75.	90.1
90°	22.	24.	18.	

### ZONAL CAVITY COEFFICIENTS

	Ceiling	.80			.70			.50		
	Wall	.70	.50	.30	.70	.50	.30	.50	.30	.10
Room Cavity Ratio	0	.78	.78	.78	.77	.77	.77	.73	.73	.73
	1	.72	.69	.66	.70	.68	.65	.65	.63	.61
	2	.66	.61	.57	.64	.60	.56	.57	.54	.51
	3	.61	.54	.49	.59	.53	.48	.51	.47	.44
	4	.56	.48	.42	.54	.47	.42	.45	.41	.37
	5	.51	.42	.37	.49	.42	.36	.40	.36	.32
	6	.47	.38	.32	.45	.37	.32	.36	.31	.28
	7	.43	.34	.28	.42	.34	.28	.33	.28	.24
	8	.40	.31	.25	.39	.30	.25	.29	.24	.21
	9	.36	.27	.22	.35	.27	.22	.26	.21	.18
10	.34	.25	.20	.33	.25	.20	.24	.19	.16	

Effective Floor Cavity Reflectance = .20

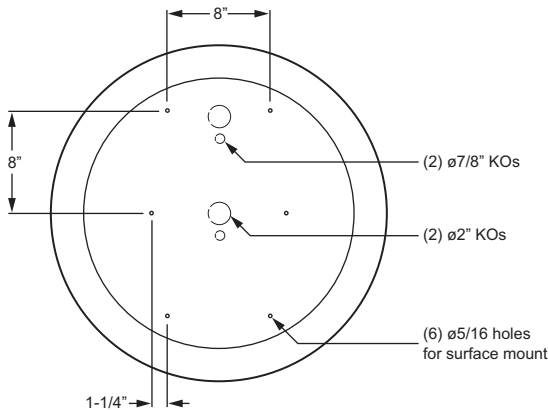
### LUMEN SUMMARY

Zone	Lumens	% Lamp	% Fixture
0 - 30	1151.	18.3	27.8
0 - 40	1878.	29.8	45.3
0 - 60	3281.	52.1	79.1
0 - 90	4149.	65.9	100.0
<b>Total Luminaire:</b>			
0 - 180	4149.	65.9	100.0

Total Luminaire Optical Efficiency: **65.9%**  
 IES Spacing Criteria: End = 1.3  
 Diagonal = 1.2  
 Across = 1.3

## FIXTURE DETAILS

### MOUNTING INFORMATION



### LENS PROFILES



Shown with FFA



Shown with FXA