

4" EXTRUDED RECTANGULAR – UPLIGHT

LX4U

SUBMITTAL:

T5

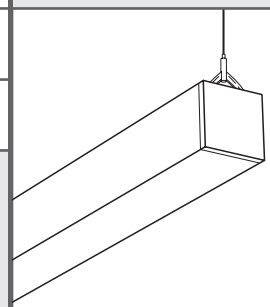
JOB:

TYPE:

VOLTAGE:

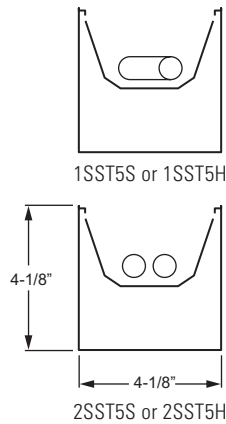
EXAMPLE **LX4U - 4 - 2SST5H - OPTIONS - EB - UNV**

▼ ▼ ▼ ▼ ▼ ▼
 SERIES NOMINAL LENGTH LAMP TYPE/CROSS-SECTION OPTIONS BALLAST TYPE VOLTAGE



FEATURES

- ▶ Sleek, linear design incorporates clean lines, slim styling, and a continuous line of light.
- ▶ Available in row-mount up to 50' or as seamless stand-alone fixtures up to 12' in length.
- ▶ Attractive source of indirect lighting for use in offices, hallways, conference rooms or common areas.
- ▶ Aesthetically designed moveable mounting bracket easily slides along the length of the fixture providing variable mounting points.
- ▶ Linear extrusion contains snap-in light modules for ease of installation and maintenance.
- ▶ Fixtures are designed to even increments to simplify lighting layouts.
- ▶ Optional acrylic dust cover discourages infiltration of foreign objects.
- ▶ Lamps configured to minimize dark spots.
- ▶ Standard 24" aircraft cable mounting hardware provided.
- ▶ This fixture is proudly made in the USA.



SPECIFICATIONS

Housing – Extruded aluminum with die-cast end caps.

Finish – Textured matte white polyester TGIC powder coat bonded to phosphate-free, multi-stage pretreated metal. All parts painted after fabrication to facilitate installation, increase efficiency, and inhibit corrosion.

Electrical – Electronic ballast standard, program start T5, rated Class P. Light modules for row mounting equipped with quick-connect wiring harness standard.

Mounting – Suspended. 1/16" diameter adjustable steel leveling aircraft cable and mounting hardware necessary for grid ceiling applications provided.

Labels – UL/CUL listed as fluorescent luminaire suitable for dry or damp locations.

ORDERING INFORMATION

SERIES

LX4U 4" Rectangular Extruded – Uplight

NOMINAL LENGTH¹

Stand-alone – 2'-12' lengths specified in 1' increments; fixture ships assembled. Example: **2** = 2'.

Row-mount – Row mounted fixtures ship unassembled. Specify length in 1' increments from 13'-50'. Example: **36** = 36'.

Contact apps@hew.com for layout assistance.

LAMP TYPE/CROSS-SECTION¹

For lamp configuration diagrams see page 10B-10E.

1SST5S 1-lamp, staggered T5
1SST5H 1-lamp, staggered T5HO
2SST5S 2-lamp, staggered T5
2SST5H 2-lamp, staggered T5HO

OPTIONS

For generic EM ballast options (must specify voltage), see [Technical Info](#). Ballast size restrictions apply. Consult factory.

DUSTCOVER Frosted acrylic dust cover

ACCESSORIES

ACFY/48 48" adjustable aircraft cable
ACFY/96 96" adjustable aircraft cable

BALLAST TYPE

For dimming options see [Technical Info](#). Ballast size restrictions apply. Consult factory.

EB Electronic ballast

VOLTAGE

120 120V
277 277V
UNV 120-277V
347 347V

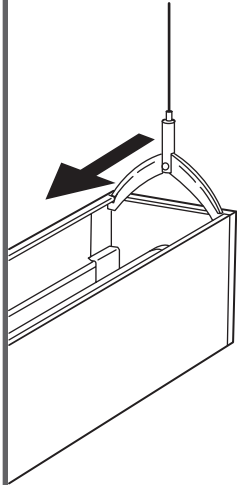
¹ Due to T5 lamp lengths and resulting lamp overlap, uneven lens illumination may occur.



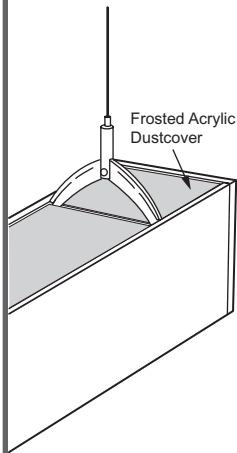
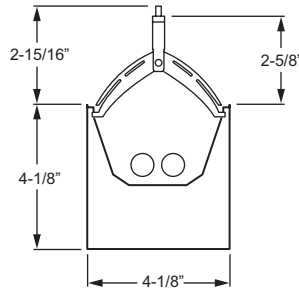
T5

FIXTURE DETAILS

INDIRECT HANGER DETAIL



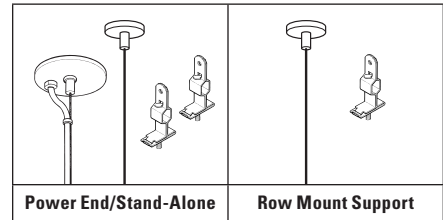
Indirect hanger can be repositioned along the length of the channel, providing flexible mounting locations to suit any application.



Optional frosted acrylic dustcover can be used in conjunction with indirect hanger bracket. Depending on desired location of indirect hanger, the dustcover may have to be cut to fit around the bracket. See illustration to the left for details.

STANDARD HARDWARE

(grid ceiling applications)



Notes:

- Fixtures are provided with adjustable length aircraft cables and choice of T-bar (standard) or optional hard pan ceiling hardware, must specify. See Fluorescent Information section for details.
- Electrical supply is brought into the feeder (or stand-alone) fixture, either as part of a row or as an individual mount unit 6" from end of fixture.

LAMP CONFIGURATIONS - 1T5 STAGGERED

| | |
|-----|-----------|
| 2' | 2 |
| 3' | 3 |
| 4' | 4 |
| 5' | 2 2 2 |
| 6' | 2 3 2 |
| 7' | 3 2 3 |
| 8' | 3 3 3 |
| 9' | 4 3 4 |
| 10' | 4 4 4 |
| 11' | 4 2 2 2 4 |
| 12' | 4 2 2 3 4 |
| 13' | 4 2 3 3 4 |
| 14' | 4 3 3 3 4 |
| 15' | 4 3 3 4 4 |
| 16' | 4 4 3 4 4 |

LEGEND

| | |
|---|---------|
| 2 | 2' lamp |
| 3 | 3' lamp |
| 4 | 4' lamp |

For additional lamp configurations, see next page.

LAMP CONFIGURATIONS - 1T5 STAGGERED (Continued)

| | | | | | | | | | | | | | | | |
|-----|---|---|---|---|---|---|---|---|---|---|---|---|---|---|---|
| 17' | 4 | 4 | 4 | 4 | 4 | | | | | | | | | | |
| 18' | 4 | 2 | 2 | 2 | 3 | 3 | 3 | 4 | | | | | | | |
| 19' | 4 | 2 | 2 | 2 | 2 | 4 | 4 | 4 | | | | | | | |
| 20' | 4 | 2 | 3 | 3 | 3 | 3 | 3 | 4 | | | | | | | |
| 21' | 4 | 3 | 3 | 3 | 3 | 3 | 3 | 4 | | | | | | | |
| 22' | 4 | 3 | 3 | 3 | 3 | 3 | 4 | 4 | | | | | | | |
| 23' | 4 | 3 | 3 | 3 | 3 | 4 | 4 | 4 | | | | | | | |
| 24' | 4 | 3 | 3 | 3 | 4 | 4 | 4 | 4 | | | | | | | |
| 25' | 4 | 3 | 3 | 4 | 4 | 4 | 4 | 4 | | | | | | | |
| 26' | 4 | 3 | 4 | 4 | 4 | 4 | 4 | 4 | | | | | | | |
| 27' | 4 | 4 | 4 | 4 | 4 | 4 | 4 | 4 | | | | | | | |
| 28' | 4 | 2 | 2 | 2 | 4 | 4 | 4 | 4 | 4 | 4 | | | | | |
| 29' | 4 | 3 | 3 | 3 | 3 | 3 | 4 | 4 | 4 | 4 | | | | | |
| 30' | 4 | 3 | 3 | 3 | 3 | 4 | 4 | 4 | 4 | 4 | | | | | |
| 31' | 4 | 2 | 2 | 2 | 4 | 4 | 4 | 4 | 4 | 4 | 4 | | | | |
| 32' | 4 | 3 | 3 | 4 | 4 | 4 | 4 | 4 | 4 | 4 | | | | | |
| 33' | 4 | 2 | 3 | 3 | 4 | 4 | 4 | 4 | 4 | 4 | 4 | | | | |
| 34' | 4 | 4 | 4 | 4 | 4 | 4 | 4 | 4 | 4 | 4 | | | | | |
| 35' | 4 | 2 | 4 | 4 | 4 | 4 | 4 | 4 | 4 | 4 | 4 | | | | |
| 36' | 4 | 3 | 4 | 4 | 4 | 4 | 4 | 4 | 4 | 4 | 4 | | | | |
| 37' | 4 | 4 | 4 | 4 | 4 | 4 | 4 | 4 | 4 | 4 | 4 | | | | |
| 38' | 4 | 2 | 2 | 2 | 4 | 4 | 4 | 4 | 4 | 4 | 4 | 4 | 4 | | |
| 39' | 4 | 3 | 3 | 3 | 3 | 3 | 4 | 4 | 4 | 4 | 4 | 4 | 4 | | |
| 40' | 4 | 3 | 3 | 3 | 3 | 4 | 4 | 4 | 4 | 4 | 4 | 4 | 4 | | |
| 41' | 4 | 3 | 3 | 3 | 4 | 4 | 4 | 4 | 4 | 4 | 4 | 4 | 4 | | |
| 42' | 4 | 2 | 4 | 4 | 4 | 4 | 4 | 4 | 4 | 4 | 4 | 4 | 4 | | |
| 43' | 4 | 3 | 4 | 4 | 4 | 4 | 4 | 4 | 4 | 4 | 4 | 4 | 4 | | |
| 44' | 4 | 4 | 4 | 4 | 4 | 4 | 4 | 4 | 4 | 4 | 4 | 4 | 4 | | |
| 45' | 4 | 2 | 2 | 3 | 3 | 3 | 3 | 3 | 4 | 4 | 4 | 4 | 4 | 4 | 4 |
| 46' | 4 | 2 | 2 | 2 | 2 | 4 | 4 | 4 | 4 | 4 | 4 | 4 | 4 | 4 | 4 |
| 47' | 4 | 2 | 2 | 2 | 3 | 4 | 4 | 4 | 4 | 4 | 4 | 4 | 4 | 4 | 4 |
| 48' | 4 | 2 | 2 | 3 | 3 | 4 | 4 | 4 | 4 | 4 | 4 | 4 | 4 | 4 | 4 |
| 49' | 4 | 2 | 3 | 3 | 3 | 4 | 4 | 4 | 4 | 4 | 4 | 4 | 4 | 4 | 4 |
| 50' | 4 | 2 | 3 | 3 | 4 | 4 | 4 | 4 | 4 | 4 | 4 | 4 | 4 | 4 | 4 |

LEGEND

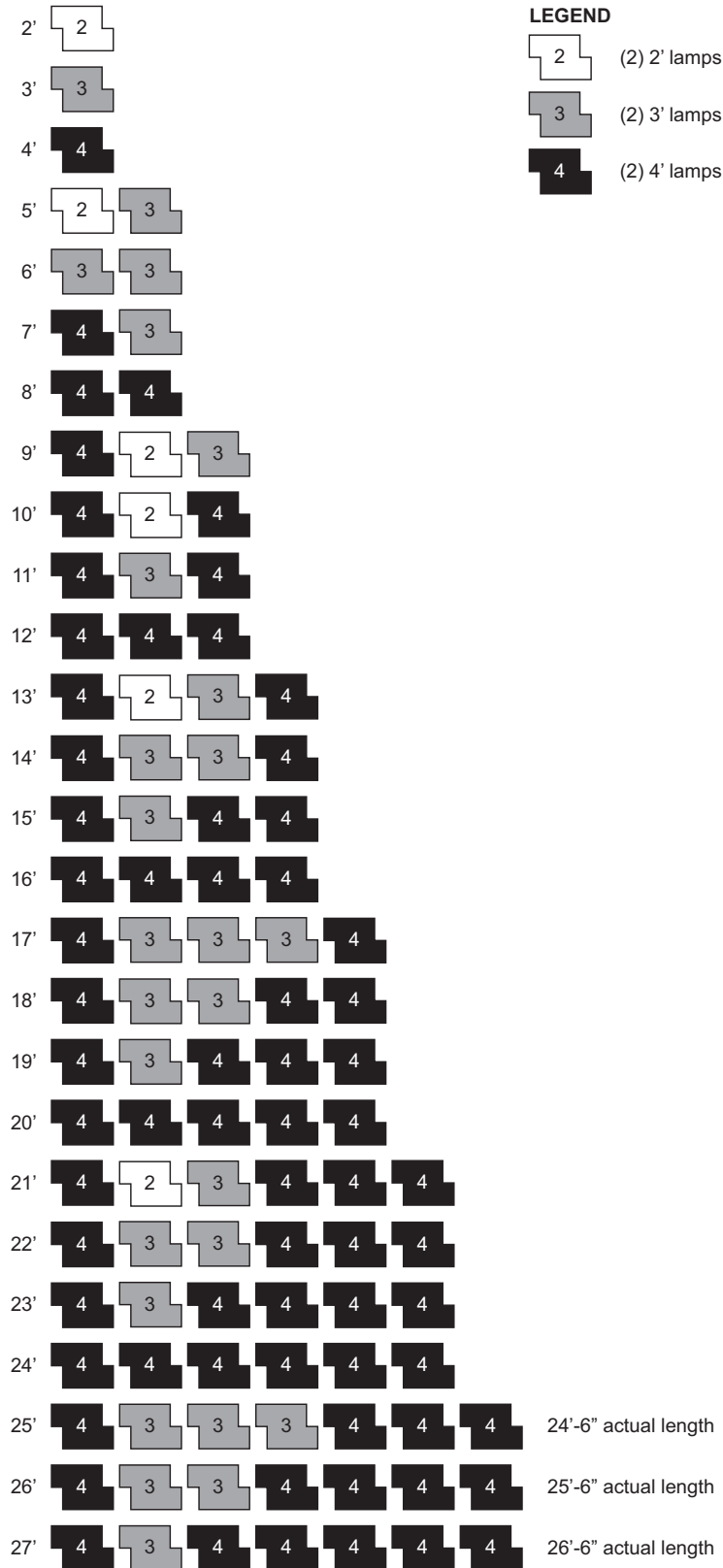
| | |
|---|---------|
| 2 | 2' lamp |
| 3 | 3' lamp |
| 4 | 4' lamp |

For additional configurations, see next page.



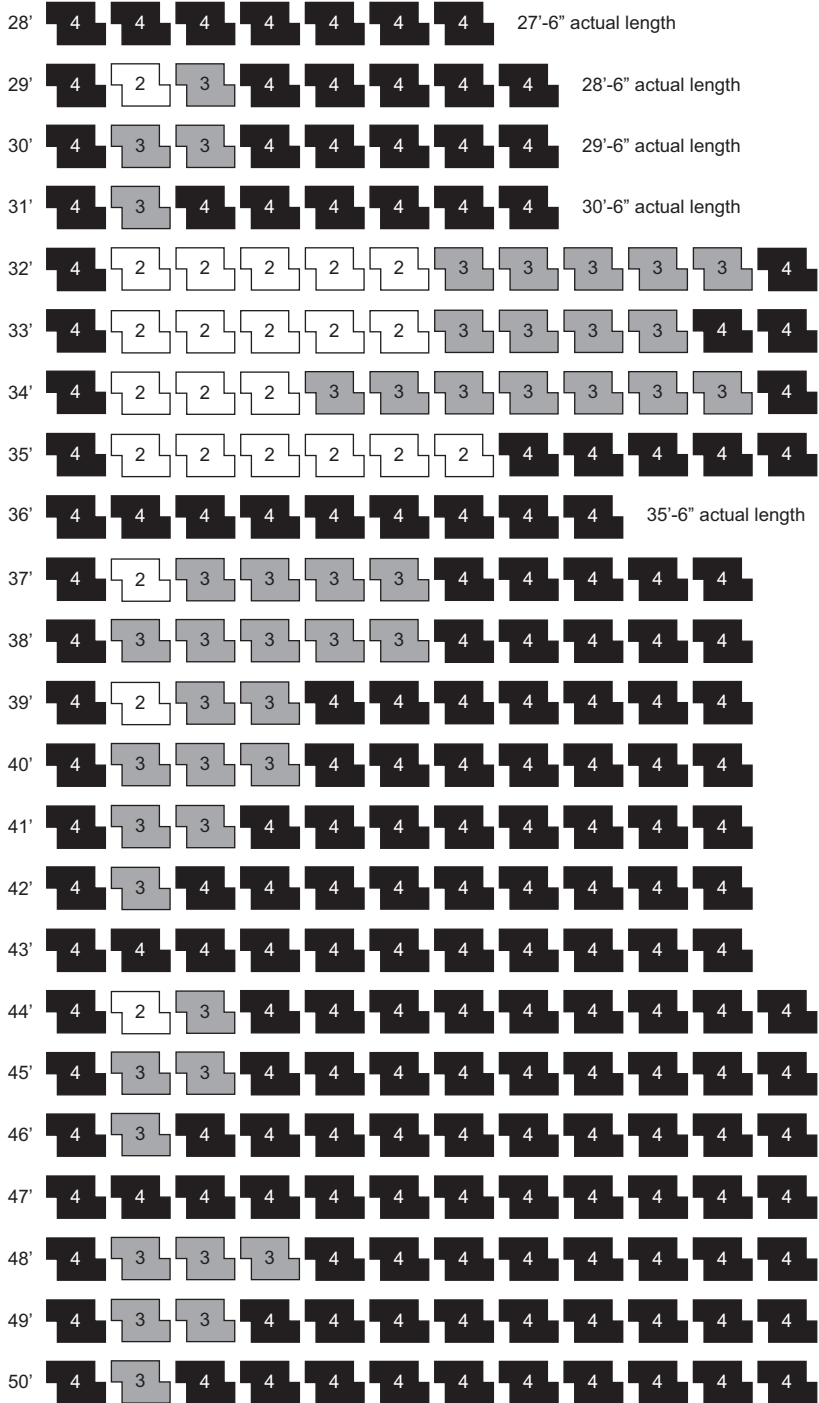
T5

LAMP CONFIGURATIONS - 2T5 STAGGERED



For additional configurations, see next page.

LAMP CONFIGURATIONS - 2T5 STAGGERED (Continued)



LEGEND

- (2) 2' lamps
- (2) 3' lamps
- (2) 4' lamps

For photometry, see next page.

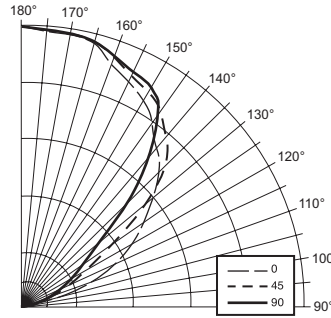
T5

PHOTOMETRY – 1-LAMP

Catalog #: LX4U-4-154T5H

TEST REPORT INFORMATION

- ▶ Test Report #: 16765.0
- ▶ Date: 07/12/12
- ▶ Lamp Type: F54T5H/841
- ▶ Lamp Quantity: 1



CANDLEPOWER DISTRIBUTION

| Vertical Angle | Horizontal Angle | | | Zonal Lumens |
|----------------|------------------|-------|-------|--------------|
| | 0° | 45° | 90° | |
| 90° | 0. | 0. | 0. | |
| 95° | 36. | 36. | 33. | 38.3 |
| 105° | 316. | 146. | 126. | 183.5 |
| 115° | 623. | 338. | 271. | 417.6 |
| 125° | 864. | 694. | 449. | 616.0 |
| 135° | 1113. | 1166. | 890. | 834.2 |
| 145° | 1278. | 1353. | 1345. | 840.0 |
| 155° | 1395. | 1435. | 1457. | 662.4 |
| 165° | 1531. | 1534. | 1542. | 435.9 |
| 175° | 1557. | 1556. | 1553. | 148.5 |
| 180° | 1572. | 1572. | 1572. | |

ZONAL CAVITY COEFFICIENTS

| | Ceiling | .80 | | | .70 | | | .50 | | |
|-------------------|---------|-----|-----|-----|-----|-----|-----|-----|-----|-----|
| | Wall | .70 | .50 | .30 | .70 | .50 | .30 | .50 | .30 | .10 |
| Room Cavity Ratio | 0 | .80 | .80 | .80 | .68 | .68 | .68 | .46 | .46 | .46 |
| | 1 | .72 | .69 | .66 | .62 | .59 | .56 | .40 | .39 | .37 |
| | 2 | .66 | .60 | .55 | .56 | .51 | .48 | .35 | .33 | .31 |
| | 3 | .60 | .53 | .47 | .51 | .45 | .40 | .31 | .28 | .26 |
| | 4 | .55 | .46 | .40 | .46 | .40 | .35 | .27 | .24 | .22 |
| | 5 | .50 | .41 | .35 | .42 | .35 | .30 | .24 | .21 | .19 |
| | 6 | .46 | .37 | .31 | .39 | .32 | .27 | .22 | .19 | .16 |
| | 7 | .42 | .33 | .27 | .36 | .28 | .24 | .20 | .16 | .14 |
| | 8 | .39 | .30 | .24 | .33 | .26 | .21 | .18 | .15 | .13 |
| | 9 | .37 | .27 | .22 | .31 | .24 | .19 | .16 | .13 | .11 |
| | 10 | .34 | .25 | .20 | .29 | .22 | .17 | .15 | .12 | .10 |

Effective Floor Cavity Reflectance = .20

LUMEN SUMMARY

| Zone | Lumens | % Lamp | % Fixture |
|-------------------------|--------|--------|-----------|
| 90 - 120 | 640. | 12.8 | 15.3 |
| 90 - 130 | 1256. | 25.1 | 30.1 |
| 90 - 150 | 2930. | 58.6 | 70.1 |
| 90 - 180 | 4177. | 83.5 | 100.0 |
| Total Luminaire: | | | |
| 0 - 180 | 4177. | 83.5 | 100.0 |

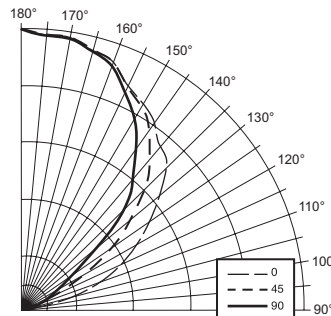
Total Luminaire Optical Efficiency: **83.5%**

PHOTOMETRY – 2-LAMP

Catalog #: LX4U-4-254T5H

TEST REPORT INFORMATION

- ▶ Test Report #: 16766.0
- ▶ Date: 07/11/12
- ▶ Lamp Type: F54T5H/841
- ▶ Lamp Quantity: 2



CANDLEPOWER DISTRIBUTION

| Vertical Angle | Horizontal Angle | | | Zonal Lumens |
|----------------|------------------|-------|-------|--------------|
| | 0° | 45° | 90° | |
| 90° | 0. | 0. | 0. | |
| 95° | 97. | 66. | 61. | 75.0 |
| 105° | 673. | 231. | 206. | 322.8 |
| 115° | 1292. | 573. | 416. | 722.4 |
| 125° | 1776. | 1311. | 809. | 1165.3 |
| 135° | 2273. | 1972. | 1671. | 1536.3 |
| 145° | 2527. | 2459. | 2222. | 1516.9 |
| 155° | 2730. | 2719. | 2663. | 1253.5 |
| 165° | 2971. | 2967. | 2953. | 840.3 |
| 175° | 3043. | 3025. | 3009. | 288.8 |
| 180° | 3088. | 3088. | 3088. | |

ZONAL CAVITY COEFFICIENTS

| | Ceiling | .80 | | | .70 | | | .50 | | |
|-------------------|---------|-----|-----|-----|-----|-----|-----|-----|-----|-----|
| | Wall | .70 | .50 | .30 | .70 | .50 | .30 | .50 | .30 | .10 |
| Room Cavity Ratio | 0 | .74 | .74 | .74 | .63 | .63 | .63 | .43 | .43 | .43 |
| | 1 | .67 | .64 | .61 | .57 | .54 | .52 | .37 | .36 | .35 |
| | 2 | .61 | .55 | .51 | .52 | .47 | .44 | .33 | .30 | .29 |
| | 3 | .55 | .49 | .43 | .47 | .42 | .37 | .29 | .26 | .24 |
| | 4 | .50 | .43 | .37 | .43 | .37 | .32 | .25 | .22 | .20 |
| | 5 | .46 | .38 | .32 | .39 | .33 | .28 | .22 | .20 | .17 |
| | 6 | .42 | .34 | .28 | .36 | .29 | .25 | .20 | .17 | .15 |
| | 7 | .39 | .31 | .25 | .33 | .26 | .22 | .18 | .15 | .13 |
| | 8 | .36 | .28 | .22 | .31 | .24 | .19 | .17 | .14 | .12 |
| | 9 | .34 | .25 | .20 | .29 | .22 | .17 | .15 | .12 | .10 |
| | 10 | .32 | .23 | .18 | .27 | .20 | .16 | .14 | .11 | .09 |

Effective Floor Cavity Reflectance = .20

LUMEN SUMMARY

| Zone | Lumens | % Lamp | % Fixture |
|-------------------------|--------|--------|-----------|
| 90 - 120 | 1120. | 11.2 | 14.5 |
| 90 - 130 | 2285. | 22.9 | 29.6 |
| 90 - 150 | 5339. | 53.4 | 69.1 |
| 90 - 180 | 7721. | 77.2 | 100.0 |
| Total Luminaire: | | | |
| 0 - 180 | 7721. | 77.2 | 100.0 |

Total Luminaire Optical Efficiency: **77.2%**

