

6" SQUARE ALUMINUM BOLLARD

OSA6S

LED

CATALOG #:

PROJECT:

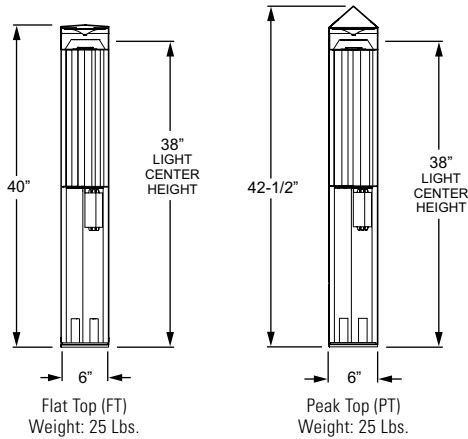
NOTES:



EXAMPLE **OSA6S - L20/830 - AC - FT - DBR - AB - OPTIONS - DIM - UNV**

SERIES LUMEN PACKAGE CRI & CCT SHIELDING HOUSING TOP FINISH OPTIONS ANCHOR BOLTS OPTIONS DRIVER VOLTAGE

CROSS SECTIONSS



FEATURES

- ▶ LEDs provide high-efficacy, good color rendering, a variety of color options, and 50,000 hours rated life (L70).
- ▶ Square aluminum bollard features a highly reflective bowl reflector with color-matched trim for effective light distribution and pleasing appearance day or night.
- ▶ Available with flat or peak top.
- ▶ Up to 2000-lumen module.
- ▶ 80 CRI minimum.
- ▶ 2700K, 3000K, 3500K, or 4000K.
- ▶ Finned, extruded aluminum heat sink for maximum heat dissipation.
- ▶ This fixture is proudly made in the USA.

ORDERING INFORMATION

SERIES
OSA6S 6" Square Aluminum Bollard

LED PACKAGE

Example: L20/830			AVERAGE SYSTEM WATTAGE
LUMEN PACKAGE	NOMINAL LUMENS	MINIMUM CRI & CCT	
L11	1100	827 = 80 CRI, 2700K 830 = 80 CRI, 3000K	17
L20	2000	835 = 80 CRI, 3500K 840 = 80 CRI, 4000K	27

Nominal lumens based on 3500K CCT, actual lumens may vary.

SHIELD/REFLECTOR

See back for shielding details.
AC Acrylic lens with bowl reflector

HOUSING TOP

FT Flat top
PT Peak top

FINISH OPTIONS

BLK Black (RAL #9004)
DBZ Dark bronze
DBR Medium bronze
GRAY Standard gray
GRN Green (RAL #6005)
SLV Satin aluminum (RAL #9006)
WHT White (RAL #9003)
RAL#_____ Specify custom color

ANCHOR BOLTS

AB Anchor bolts (Three 3/8" x 12" cast-in galvanized steel anchor J-bolts, shipped with fixture. Mounting template included.)
LAB Less anchor bolts
PAB Pre-shipped anchor bolts (Three 3/8" x 12" cast-in galvanized steel anchor J-bolts. Mounting template included.)

OPTIONS

SF Single fuse (120V, 277V, or 347V only; must specify voltage)
DF Double fuse (208V, 240V, or 480V only; must specify voltage)

DRIVER

DRV Driver prewired for non-dimming applications
DIM Dimming driver prewired for 0-10V low voltage applications

VOLTAGE

120 120V
208 208V
240 240V
277 277V
UNV 120-277V
347 347V
480 480V



LED

Catalog #: **OSA6S-L20/830-AC-FT-WHT**

SPECIFICATIONS

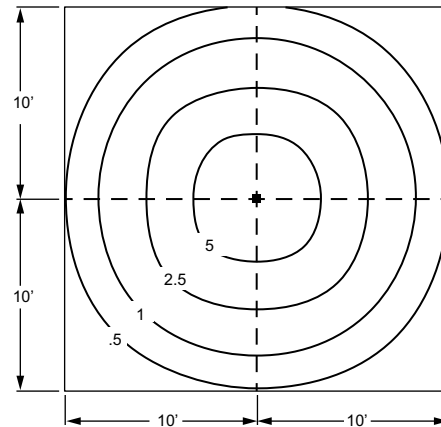
- Housing** – Fabricated aluminum, minimum .125" thick.
- Housing Top** – Formed aluminum, minimum .125" thick.
- Reflector** – Spun aluminum upper and lower reflectors with clear specular finish.
- Shield** – UV stabilized clear acrylic sealed with silicone. Type V distribution.
- Electrical** – High quality mid-power LED board. L70 at 50,000 hours. Prewired at factory for easy field installation. Rated -40°F minimum starting temperature.
- Finish** – Super durable polyester powder coat bonded to phosphate-free, multi-stage pretreated metal, meets and exceeds AAMA 2604 specifications for outdoor durability.
- Mounting** – Minimum 2" recessed in ground with four-point hot dip galvanized 1/4" A36 steel baseplate. For accurate installation a fullscale mounting template is provided with each bollard and anchor bolt order.
- Labels** – cETLus conforms to UL STD 1598 and UL STD 8750; Certified to CAN/CSA STD C22.2 No. 250.0. Suitable for wet locations.
- Warranty** – 5-year limited warranty, see hew.com/warranty.

PHOTOMETRY

TEST REPORT INFORMATION

- ▶ Test Report #: 100570727CHI-004
- ▶ Date: 09/12/12
- ▶ Lamp Type: LED
- ▶ **Rated Lumens: 1039**
- ▶ **Watts: 27.5**
- ▶ **Lumens Per Watt: 37.8**
- ▶ **CRI: 84.6**
- ▶ **CCT: 3001K**

FOOTCANDLE DISTRIBUTION



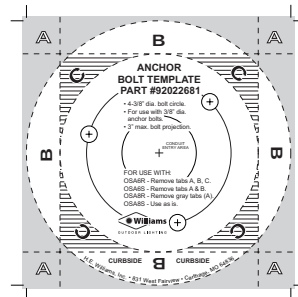
FIXTURE DETAILS

SHIELDING



AC Shown

MOUNTING TEMPLATE



Mounting template is provided with each order. A pdf file (not to scale) of the mounting template is available at www.hew.com.

MOUNTING DETAILS

