

6" ROUND LED DOWNLIGHT

L60

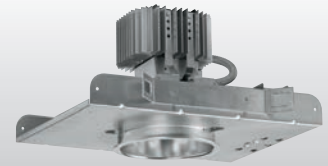
LED

CATALOG #: _____ TYPE: _____

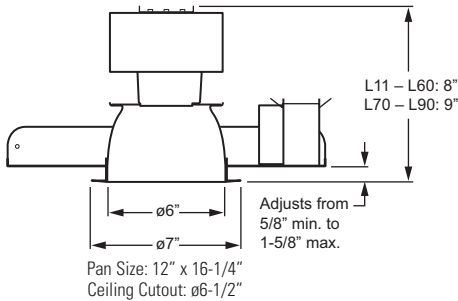
PROJECT: _____ NOTES: _____

EXAMPLE **L60 - L40C/835 - CS/M - OPTIONS - DIM - 120**

SERIES LUMEN PACKAGE CRI & CCT REFLECTOR DIST. FINISH OPTIONS DRIVER VOLTAGE



CROSS SECTION



ORDERING INFORMATION

SERIES
L60 6" Round LED Downlight

LED PACKAGE
Nominal lumens based on CS reflector color and W distribution. See page 2 for fixture performance data.

EXAMPLE: L40C/835				WATTAGE
LUMEN PACKAGE	NOMINAL LUMENS	MINIMUM		
		CRI	CCT	
L11C	1000	8 = 80 9 = 90	27=2700K 30=3000K 35=3500K 40=4000K	15
L15C	1300			19
L20C	1700			26
L30C	2500			36
L40C	3000			39
L50C ¹	3600			51
L60C ¹	4500			64
L70C ¹	5400			62
L80C ¹	5800			72
L90C ¹	5900			80

¹ Top access required for driver maintenance.

REFLECTOR FINISH

CS Clear semi-specular (standard)
CG Champagne gold
GD Gold
PW Pewter
SG Satin-glow
SPC Clear specular
STR Straw
WH Painted white reflector, textured (cannot be used with ___/CAL or ___/CGS)
WT Wheat

DISTRIBUTION¹

W 75° Wide
M 50° Medium

OPTIONS

EM/12W 12-watt emergency battery
EM/7W 7-watt emergency battery
MWT Matte white trim
AC/CAL Accent cone with clear acrylic lens (wide distribution only)
MB/CAL Micro-baffle with clear acrylic lens (wide distribution only)
AC/CGS Accent cone with clear glass lens (wide distribution only)
MB/CGS Micro-baffle with clear glass lens (wide distribution only)
LAD Acrylic luminous disk (CS reflector only)
LADO Acrylic luminous disk open (CS reflector only)
LAR Acrylic luminous ring (CS reflector only)
SCA___ Sloped ceiling adapter (specify degrees of slope in 5° increments, 5°-30°. SCA increases fixture height, see Information for details.)
WET/CC Wet location, covered ceiling listed (when specified with ___/CAL or ___/CGS options).
WW Wall wash (wide distribution only; not available with sloped adapter options, AC, MB, AC/___ or MB/___)

DRIVER
Additional dimming drivers available, see [Technical Info.](#)

DRV Driver prewired for non-dimming applications
DIM 10% dimming driver prewired for 0-10V low voltage applications

VOLTAGE

120 120V
277 277V

FEATURES

- ▶ Rated for >55,000 hours at 70% lumen maintenance (L70).
- ▶ Module lumens from 1100 to 9000.
- ▶ 2700K, 3000K, 3500K, or 4000K color temperatures, minimum 80 or 90 CRI.
- ▶ LED module and driver accessible from below ceiling plane for ease of maintenance (up to 4000 lumens).
- ▶ Optional system-integrated emergency LED driver available.
- ▶ Optional wet location under covered ceiling available when specified with ___/CAL or ___/CGS option.
- ▶ Finned, extruded aluminum, passive heat sink dissipates heat for superior thermal management.
- ▶ Integral pan throat field-adjusts to accommodate ceilings up to 1-5/8" thick.
- ▶ Self-flanged aluminum reflector offers maximum optical performance and provides crisp, clean installation without unsightly light leaks.
- ▶ Adjustable hanger brackets for bar hangers standard.
- ▶ Sturdy one-piece pan construction.
- ▶ This fixture is proudly made in the USA.

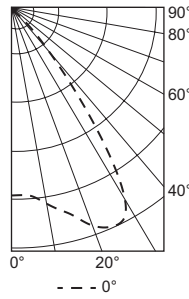
¹ Beam angle/distribution does not account for options/accessories such as accent cone with lens, acrylic accent rings, wall wash, or alternate reflector finishes. Actual beam angle/distribution may vary. Consult factory with complete model number for approximate values.



LED

PHOTOMETRY

L60-L40C/835-CS/W-DIM-120 Report #: 1217929; 03/03/16 | Total Luminaire Output: 2953 lumens; 39.2 Watts
Efficacy: 75.4 lm/W | 82.1 CRI; 3558K CCT | IES Spacing Criteria: 0-180 = 1.33; 90-270 = 1.33



CANDLEPOWER DISTRIBUTION	Vertical Angle	Horizontal Angle 0°	Zonal Lumens
	0	1804	
	5	1811	43.2
	15	2045	235.5
	25	2311	479.4
	35	1320	512.6
	45	287	158.8
	55	38	30.0
	65	14	8.1
	75	6	3.9
	85	3	2.2
90	3		

LUMEN SUMMARY	Zone	Lumens	% Fixture
	0 - 40	2638	89.7
	0 - 60	2917	99.2
	0 - 90	2942	100.0
	0 - 180	2942	100.0

SPECIFICATIONS

Housing – 20-gauge die-formed galvanized steel pan/plaster frame with adjustable throat (5/8" to 1-5/8"). Extruded aluminum heat sink.

Reflector – Low- iridescent aluminum. Clear semi-specular (CS) finish standard.

Electrical – Prewired at factory for easy field installation. Integral thermal protector. High quality class 2 C.O.B LED array. Reported L70 >55,000 hours.

Mounting – Recessed.

Labels – cETLus conforms to UL STD 1598;

Certified to CAN/CSA STD C22.2 No. 250.0.

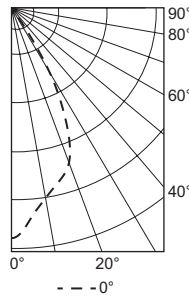
Suitable for damp locations. Suitable for wet location under covered ceiling when specified with AC/CAL or MB/CAL option.

Qualifications – RoHS compliant.

Warranty – 5-year limited warranty, see hew.com/warranty.

REFLECTOR FINISH MULTIPLIER		
CATALOG NUMBER	REFLECTOR FINISH	CONVERSION FACTOR
CS	Clear semi-specular	-
SPC	Specular	1.02
CG	Champagne Gold	0.96
GD	Gold	0.93
PW	Pewter	0.86
STR	Straw	0.97
WH	White, textured	0.90
WT	Wheat	0.88

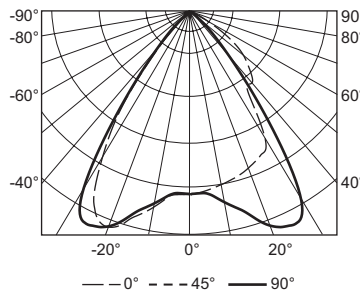
L60-L40C/835-CS/M-DIM-120 Report #: 1217931; 03/04/16 | Total Luminaire Output: 2791 lumens; 39.3 Watts
Efficacy: 71.1 lm/W | 82.2 CRI; 3562K CCT | IES Spacing Criteria: 0-180 = 0.84; 90-270 = 0.84



CANDLEPOWER DISTRIBUTION	Vertical Angle	Horizontal Angle 0°	Zonal Lumens
	0	4296	
	5	3954	98.3
	15	3347	410.1
	25	2400	579.9
	35	555	290.5
	45	70	45.6
	55	5	4.7
	65	2	1.3
	75	0	0.3
	85	1	0.6
90	1		

LUMEN SUMMARY	Zone	Lumens	% Fixture
	0 - 40	2783	97.6
	0 - 60	2848	99.9
	0 - 90	2852	100.0
	0 - 180	2852	100.0

L60-L40C/835-CS/WW-DIM-120 Report #: 1217930; 03/04/16 | Total Luminaire Output: 2704 lumens; 39.2 Watts
Efficacy: 68.9 lm/W | 82.2 CRI; 3561K CCT | IES Spacing Criteria: 0-180 = 1.16; 90-270 = 1.26



CANDLEPOWER DISTRIBUTION	Vertical Angle	Horizontal Angle 0°	Horizontal Angle 90°	Zonal Lumens
	0	1733	1733	
	5	1701	1728	41.3
	15	1621	1971	219.2
	25	1507	2229	418.8
	35	910	1184	408.1
	45	763	280	191.0
	55	438	37	89.7
	65	115	14	29.5
	75	13	6	7.9
	85	5	1	1.9
90	3	0		

LUMEN SUMMARY	Zone	Lumens	% Fixture
	0 - 30	2295	81.3
	0 - 60	2764	97.9
	0 - 90	2824	100.0
	0 - 180	2824	100.0

FIXTURE PERFORMANCE DATA

COLOR TEMPERATURE MULTIPLIER	
CCT/CRI	CONVERSION FACTOR
2700K/80CRI	0.95
3000K/80CRI	0.96
3500K/80CRI	1.00
4000K/80CRI	1.01
2700K/90CRI	0.74
3000K/90CRI	0.85
3500K/90CRI	0.90
4000K/90CRI	0.91

LED PACKAGE	DISTRIBUTION	WATTAGE	DELIVERED LUMENS	EFFICACY (lm/W)
L11C	W	15	1043	69
	M		986	65
L15C	W	19	1347	71
	M		1273	67
L20C	W	26	1680	64
	M		1588	61
L30C	W	36	2487	70
	M		2351	66
L40C	W	39	2953	75
	M		2791	71
L50C	W	51	3566	70
	M		3370	66
L60C	W	64	4448	69
	M		4204	66
L70C	W	62	5400	87
	M		5104	82
L80C	W	72	5773	81
	M		5456	76
L90C	W	80	5940	74
	M		5614	70