

# ENCLOSED & GASKETED INDUSTRIAL/GARAGE LIGHTER

# 97

## LED

CATALOG #:

TYPE:

PROJECT:

NOTES:

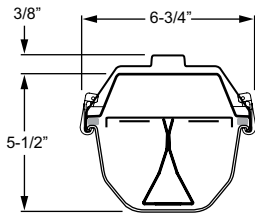
EXAMPLE

**97 - 4 - L95/840 - FR - OPTIONS - DRV - UNV**

SERIES    NOMINAL LENGTH    LUMEN PACKAGE    CRI & CCT    SHIELDING    OPTIONS/ACCESSORIES    DRIVER    VOLTAGE



## CROSS SECTION



## ORDERING INFORMATION

### SERIES

**97** Enclosed & Gasketed Industrial/Garage Lighter

### NOMINAL LENGTH

**2**      2'  
**4**      4'

### LED PACKAGE

EXAMPLE: L95/840				
LUMEN PACKAGE	NOMINAL LUMENS		MINIMUM CRI & CCT	WATTAGE
	FROSTED LENS	CLEAR LENS		
2'				
<b>L25</b>	2500	2600	<b>830</b> = 82 CRI, 3000K <b>835</b> = 82 CRI, 3500K <b>840</b> = 82 CRI, 4000K <b>850</b> = 82 CRI, 5000K	21
<b>L37</b>	3700	3800		30
<b>L45</b>	4500	4700		38
4'				
<b>L50</b>	5000	5200		46
<b>L79</b>	7900	8300		64
<b>L95</b>	9500	10000		81

Nominal lumen output based on 4000 CCT and FR shielding. Actual lumens may vary +/-5%, see fixture performance data. Additional LED lumen packages available, see options.

### SHIELDING

**FR** Frosted, impact-resistant acrylic  
**A** Clear, impact-resistant acrylic with frosted ends

### OPTIONS/ACCESSORIES

Cord and receptacle options available, see page 3 for details.

**EM/10W** 10-watt emergency battery (120-277V only; 4' only) 25°C maximum ambient operating temperature at or below L79.

**LA40 (L\_ \_)** -40°C minimum operating temperature  
Additional lower lumen packages in 100 nominal lumen increments available. Option must be specified with next higher lumen package.  
**Example:** 6,100 nominal lumens = 97-4-L79/840-FR-(L61).

### OPTIONS/ACCESSORIES (Continued)

**WET/1** (1) 1/2" watertight hub (factory-installed in end of housing)

**WET/2** (2) 1/2" watertight hubs (factory-installed in ends of housing; not available with occupancy sensor option)

**SSCMB** Stainless steel chain mounting brackets (2 per fixture)

**TP** Tamper-resistant polycarbonate latches (Requires a tamper-resistant tool. Must be ordered separately. Please specify quantity required per project.)

**SS LATCH** Stainless steel latches

**TP/SS LATCH** Tamper-resistant stainless steel latches (Requires a tamper-resistant tool. Must be ordered separately. Please specify quantity required per project.)

### OCCUPANCY SENSORS

Specify from the following options (must specify 120 or 277V; IP65 certified when specified with occupancy sensor):

#### OCCWS HB350W-L3W

**OCCWS FSP-211B-L\_** Factory-installed occupancy and daylight sensor, must specify lens, see page 3 for details. Optional FSIR-100 remote controller available, ordered separately.

**FSIR-100** Remote controller for occupancy sensor, please specify quantity required per project, ships separately, see page 3 for details

### DRIVER

Additional dimming drivers available, see [Technical Info](#).

**DRV** Driver prewired for non-dimming applications

**DIM** 10% dimming driver prewired for 0-10V low voltage applications

### VOLTAGE

Must specify 120V or 277V when using occupancy sensor.

**120** 120V

**277** 277V

**UNV** 120-277V

## FEATURES

- ▶ Wide distribution optics are ideal for parking garage applications.
- ▶ Fully gasketed fixture resists dust, bugs, and moisture.
- ▶ Polycarbonate toggle latches (standard) ensure a tight seal and easy access to electrical components.
- ▶ Optional stainless steel, tamper-resistant stainless steel, or tamper-resistant polycarbonate latches available.
- ▶ NSF/ANSI Standard 2–Splash Zone certified.
- ▶ IP65, IP66, and IP67 certified.
- ▶ Closed-cell polyurethane gasket poured and formed in place to ensure tight seal—does not absorb water or promote fungal growth.
- ▶ Rated for -20°C to 40°C maximum ambient operating temperature (25°C with EM/10W at or below L79). -40°C minimum operating temperature with LA40 option.
- ▶ Multiple dimming protocols available.
- ▶ This fixture is proudly made in the USA.



### LED

### SPECIFICATIONS

**Enclosure** – Outer housing consists of 5VA (f1) fiberglass, rated for flame and weather resistance.

**Internal Housing** – .050" aluminum.

**Latching** – Injection-molded polycarbonate latches.

**Reflector** – 95% reflective highly specular aluminum.

**Shielding** – Frosted or clear, impact-resistant acrylic.

**Electrical** – High quality mid-power LED board. L70 >50,000 hours. -20°C to 40°C maximum ambient operating temperature. -40°C minimum operating temperature with LA40 option.

**Mounting** – Surface or suspended. Stainless steel ceiling mount brackets included.

**Listings** –

- cETLus conforms to UL STD 1598 and UL STD 8750. Certified to CAN/CSA STD C22.2 No. 250.0. Suitable for dry or damp locations.
- DesignLights Consortium qualified product. Not all versions of this product may be DLC qualified, see the DLC Qualified Products List at [www.designlights.org/QPL](http://www.designlights.org/QPL).
- cETLus listing as suitable for wet locations when specified with watertight hub, STOW or SOOW cord, or mini-male receptacle option.
- NSF/ANSI Standard 2–Splash Zone certified, IP65, IP66, and IP67 certified, and rated for NEMA 4X.

**Warranty** – 5-year limited fixture warranty, see [hew.com/warranty](http://hew.com/warranty).

### IMPORTANT:

Electrostatic sensitive unit. Observe precautions when handling.

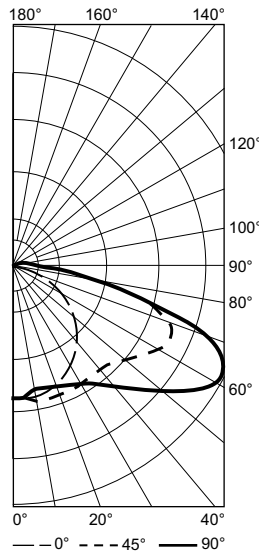
### CORD OPTIONS

EXAMPLE: 5WMRC6		
NUMBER OF CONDUCTORS	POWER CONNECTION – NON-DIMMING	CORD LENGTH
3 = 3-wire 4 = 4-wire	WMR = Mini-male receptacle only	N/A
	WC = STOW cord	6 = 6' 20 = 20'
	WMRC = Mini-male receptacle with STOW cord	
POWER CONNECTION – DIMMING		
5 = 5-wire 6 = 6-wire	WMR = Mini-male receptacle only	N/A
	WC = SOOW cord	6 = 6' 20 = 20'
	WMRC = Mini-male receptacle with SOOW cord	

Wet location cord sets are yellow.

### PHOTOMETRY

97-4-L95/840 Report #: 19304.0; 04/14/16 | Total Luminaire Output: 9519 lumens; 80.7 Watts  
Efficacy:117.9 lm/W | 86.8 CRI; 4166K CCT | IES Spacing Criteria: End: 1.3, Across: 1.8, Diagonal: 1.6



Vertical Angle	Horizontal Angle			Zonal Lumens
	0°	45°	90°	
0	1533	1533	1533	
5	1558	1586	1446	147.5
15	1516	1596	1489	439.2
25	1416	1595	1541	711.3
35	1275	1582	1667	960.5
45	1079	1616	2034	1226.6
55	837	1838	2526	1570.5
65	561	2054	2756	1819.4
75	305	1647	1809	1426.2
85	108	710	684	623.3
90	69	456	408	
95	51	312	279	269.4
105	36	184	171	149.7
115	22	116	133	93.2
125	11	64	94	51.5
135	0	30	54	20.9
145	0	12	28	8.2
155	0	0	10	1.6
165	0	0	0	0.4
175	0	0	0	0
180	0	0	0	

LUMEN SUMMARY	Zone	Lumens	% Fixture
	0 - 30	1298	13.6
0 - 40	2259	23.7	
0 - 60	5056	53.1	
0 - 90	8925	93.8	
90 - 120	512	5.4	
90 - 150	593	6.2	
90 - 180	595	100	
0 - 180	9519	100.0	

### FIXTURE PERFORMANCE DATA

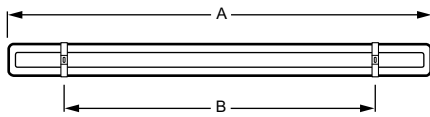
LED PACKAGE	DELIVERED LUMENS	WATTAGE	EFFICACY (lm/W)
2'			
L25/830	2539	20.9	121.4
L25/835	2618	20.9	125.1
L25/840	2670	20.9	127.6
L25/850	2678	20.0	134.2
L37/830	3527	30.1	117.3
L37/835	3637	30.1	121.0
L37/840	3709	30.1	123.4
L37/850	3894	30.1	129.5
L45/830	4328	38.2	113.3
L45/835	4463	38.2	116.8
L45/840	4552	38.2	119.2
L45/850	4779	38.2	125.1
4'			
L50/830	4711	46.3	101.8
L50/835	4857	46.3	105.0
L50/840	5023	46.3	108.6
L50/850	5229	46.3	113.0
L79/830	7555	63.8	118.4
L79/835	7790	63.8	122.1
L79/840	7945	63.8	124.5
L79/850	8342	63.8	130.7
L95/830	9057	80.6	112.4
L95/835	9339	80.6	115.9
L95/840	9525	80.6	118.2
L95/850	10000	80.6	124.1

- Photometrics tested in accordance with IESNA LM-79
- Results shown are based on 25°C ambient temperature and FR shielding
- Wattage shown is average for 120V through 277V input
- Results scaled based on relative CCT output



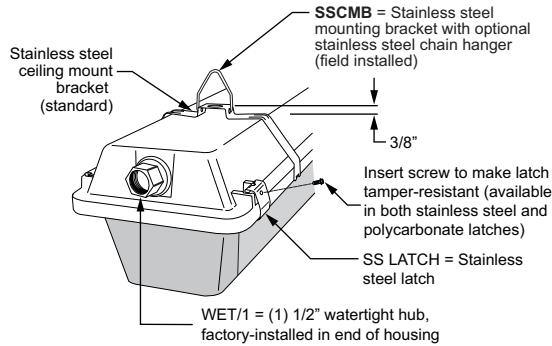
**FIXTURE DETAILS**

**BACK VIEW**



NOMINAL LENGTH	OVERALL LENGTH (A)	MOUNTING DISTANCE (B)
2'	27-5/8"	12"- 17" OC
4'	51-7/8"	30"- 42" OC
8'	100-1/4"	48"- 80" OC

**OPTIONS & MOUNTING**



**OCCUPANCY SENSOR**

EXAMPLE

**OCCWS FSP-211B - L2**

OCCUPANCY SENSOR

LENS

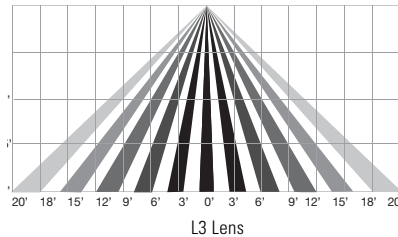
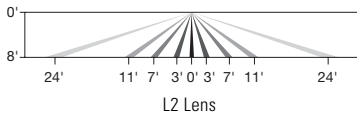
- ▶ Fully adjustable high and low dimmed light levels.
- ▶ Designed for LED fixtures; rated for extreme temperatures and up to 200,000 on/off cycles.
- ▶ Hold-off setpoint with automatic calibration option for convenience and added energy savings.
- ▶ Adjustable via handheld wireless configuration tool (ordered separately, see Accessory Details).
- ▶ IP66 rated with choice of lenses for wet and outdoor locations, and mounting heights from 8' to 20'.
- ▶ Adjustable time delay and cutoff delay.
- ▶ Factory set to 10% dimming at 5 minutes, cutoff at 1 hour.

**ORDERING INFORMATION**

**OCCWS FSP-211B-\_\_** Factory-installed occupancy sensor, must specify lens (120V or 277V only)

**LENS**

- L2** Coverage at 8' mounting height: ø48'
- L3** Coverage at 20' mounting height: ø40'



**ACCESSORY DETAILS**

**FSIR-100** – Occupancy Sensor Remote



Initial setup and subsequent sensor adjustments are made using a handheld configuration tool (FSIR-100). The wireless tool stores up to five sensor parameter profiles to speed configuration of multiple sensors. Please specify quantity required per project.

Visit [www.wattstopper.com](http://www.wattstopper.com) for more information.

